



## 6 SERIES ALL INDUCTION COOKTOPS

Viking Virtuoso 6 Series – MVIC

### COMMERCIAL-TYPE COOKING POWER

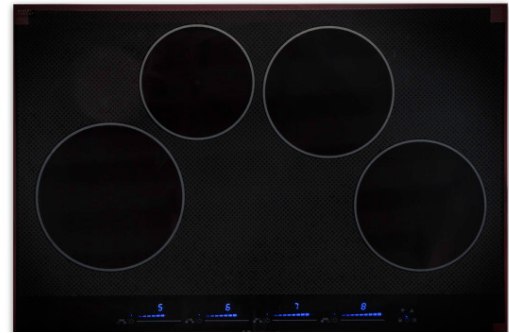
- MagneQuick™ Induction Elements convert electricity into a magnetic field, which reacts with iron in your cookware and instantly transforms the pan into the heat source
- The heat is then quickly and efficiently transferred into your food, eliminating heat transfer loss into your kitchen and making induction cooking more than 90% efficient – the most energy efficient form of surface cooking
- Induction elements heat more quickly than gas or electric burners, saving time as well as energy
- Induction elements respond instantly to temperature adjustments, so when you lower the heat, you will see the results immediately, just as you see with a gas burner
- Since the heat is generated by the cookware itself, the cooktop surface remains cooler and less prone to cooked on spillovers - much easier to clean than traditional electric cooktops
- Simmer setting is perfect for gentle melting or keeping cooked food warm
- Cooktop can be installed flush or standard mount
- Power Management System provides a boost of superior power on for faster boiling

#### ▪ 30"W. MODEL

- 3,700 watt - 9" element
- 3,000 watt - 8" element
- 3,000 watt - 8" element
- 2,200 watt - 7" element

#### ▪ 36"W. MODEL

- 5,500 watt - 11" element
- 3,000 watt - 8" element
- 3,000 watt - 8" element
- 2,200 watt - 7" element
- 2,200 watt - 7" element



**MVIC630**



**MVIC636**

### SAFE, EASY OPERATION

- Easy to use touch controls
- Element lights indicate hot surfaces and active elements
- Sensor turns off element if cookware is not detected; pause function
- Two timer functions - cooking element and stand alone

### MODEL NUMBERS

- MVIC6304BBG – 30"W. Induction Cooktop; four burners
- MVIC6365BBG – 36"W. Induction Cooktop; five burners

### COLOR FINISHES

- Available in Black Glass

### WARRANTY

- 2-year full - complete product
- 90-day full - cosmetic parts such as glass, painted items and decorative items
- 5-year limited - induction element components



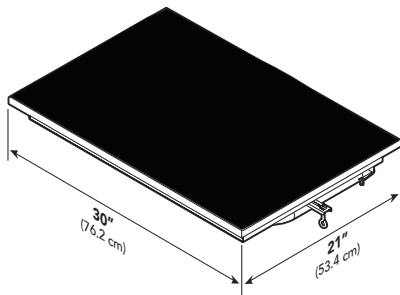
# 6 SERIES ALL INDUCTION COOKTOPS

Viking Virtuoso 6 Series – MVIC

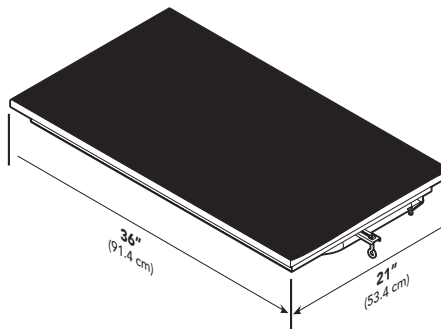
| INDUCTION COOKTOPS   |  |   |
|--|--|---|
| DESCRIPTION  | MVIC6304B  | MVIC6365B   |
| Overall Width  | 30" (76.2 cm)  | 36" (91.4 cm)   |
| Overall height from bottom<br>To top of cooking surface<br>To bottom edge of frame | 2-1/4" (5.7 cm)<br>2" (5.1 cm)   |   |
| Overall Depth from rear  | 21" (53.3 cm)  |   |
| Cutout Width   | 28-1/2" (72.4 cm) minimum to<br>29" (73.7 cm) maximum  | 34-1/2" (87.6 cm) minimum to<br>35" (88.9 cm) maximum                         |
| Cutout Depth   | 19-1/2" (49.5 cm) minimum to 20" (50.8 cm) maximum   |   |
| Electrical Requirements  | 240 VAC; 60Hz; factory-installed 4 ft. (121.9 cm) fl exible steel conduit<br>3-wire conduit with a No. 10 ground wire; located<br>on the right rear corner of unit |   |
| Maximum Amp Usage  | 240V—32.2 amps (7.7 kw)  | 240V—48.3 amps (11.6 kw)  |
| Surface Element Rating   | (2) 1850W / 3000W boost<br>(1) 2300W / 3700W boost<br>(1) 1400W / 2200W boost  | (2) 1850W / 3000W boost<br>(1) 1400W / 2200W boost<br>(1) 3000W / 5500W boost |
| Approximate Shipping Weight  | 52 lb. (23.6 kg)   | 56 lb. (24.4 kg)  |

Please do not prepare installation from brochure data only. See installation instructions for important clearance/installation information.

30"W. COOKTOP



36"W. COOKTOP



## STANDARD INSTALLATION

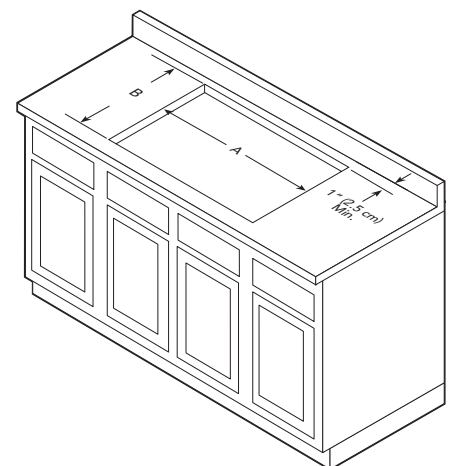
| MVIC / CMVIC |   |   |
|--------------|---|---|
|              | 30"W. MODELS  | 36"W. MODELS                                    |
| <b>A</b>     | 28-1/2" (72.4 cm) min.<br>to 29" (73.7 cm) max.       | 34-1/2" (87.6 cm) min.<br>to 35" (88.9 cm) max. |
| <b>B</b>     | 19-1/2" (49.5 cm) minimum to<br>20" (50.8 cm) maximum |   |

Note: Based on 24" deep cabinet with 3/4" backsplash.

## FLUSH MOUNT INSTALLATION

| MVIC / CMVIC |   |   |
|--------------|---|---|
|              | 30"W. MODELS  | 36"W. MODELS                                    |
| <b>A</b>     | 28-1/2" (72.4 cm) min.<br>to 29" (73.7 cm) max.       | 34-1/2" (87.6 cm) min.<br>to 35" (88.9 cm) max. |
| <b>B</b>     | 19-1/2" (49.5 cm) minimum to<br>20" (50.8 cm) maximum |   |
| <b>C</b>     | 30" (76.2 cm)   | 36" (91.4 cm)                                   |
| <b>D</b>     | 21" (53.3 cm)   |   |

Note: Based on 24" deep cabinet with 3/4" backsplash.



VIKING RANGE, LLC 111 FRONT STREET GREENWOOD, MISSISSIPPI 38930 USA

For detailed product information, model numbers, or to request a quote call 1-888-845-4641 or visit [vikingrange.com](http://vikingrange.com)

© 2020 Viking Range, LLC All rights reserved. Specifications subject to change without notice.