

# NV51K6650SS

## 30" Single Wall Oven

### Features

- Guiding Light Controls
- Wi-Fi Connectivity
- Wi-Fi Enabled Temperature Probe
- LED Spotlights
- Easy View Window
- 3 Heavy Duty Racks including a Gliding Rack
- Broil Element
- Smart Control Key
- 6 Rack Positions
- Drop-Down Door Design
- Full Touch Control Method
- ADA Compliant

### Convenience

- Rapid Preheat
- Sabbath Mode
- Hybrid Clean and Self-Clean
- Hidden Bake Element
- Delay Start
- Convection Conversion
- Child Safety Lock
- Proofing
- Warming Mode
- Kitchen Timer



ADA Compliant



Steam Cook



Dual Convection

### Available Colors



Stainless Steel (shown)



Black Stainless Steel

### Signature Features

#### STEAM COOK

- Delivers moisture at precise times for a crisp and brown outside and tender inside.

#### DUAL CONVECTION

- Circulates air for faster, more even cooking using true convection.

#### 5.1 CU. FT. CAPACITY

- Accommodates a roast, multiple casserole dishes or several racks of cookies.

# NV51K6650SS

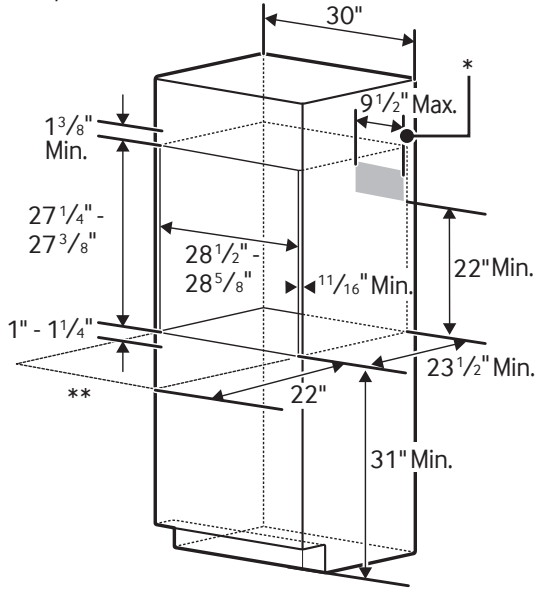
## 30" Single Wall Oven

### Cabinet Dimensions

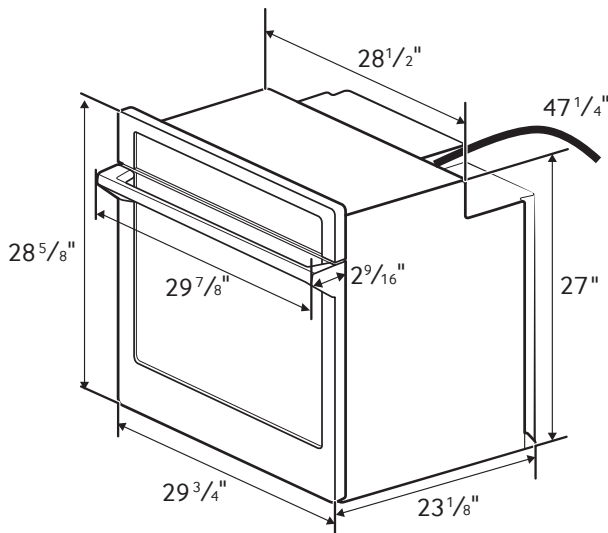
Single Oven Installed in Cabinet

\* Junction Box

\*\* Allow a minimum of 22" for clearance to adjacent corners, drawers, walls, etc. when door is open.



### Product Dimensions



### Convection Wall Oven

- Hidden Bake Element
- Bake: 175°F–550°F
- Convection Bake: 175°F–550°F
- Convection Roast: 175°F–550°F
- Broil: Low-High
- Steam Bake: 230°F–550°F
- Steam Roast: 230°F–550°F
- Proofing
- Sabbath Mode

### Warranty

One (1) Year All Parts and Labor

### Product Dimensions & Weight (WxHxD)

Outside (Max) Wall Oven Dimensions:

29 7/8" x 28 5/8" x 25 11/16"

Wall Oven Cut-Out Dimensions:

28 1/2" x 27 1/4" x 23 1/2"

Weight: 136.7 lbs.

### Shipping Dimensions & Weight (WxHxD)

Dimensions:

33 1/2" x 33 3/4" x 29 13/16"

Weight: 163.1 lbs.

### Color

Stainless Steel

Black Stainless Steel

### Model #

NV51K6650SS

NV51K6650SG

### UPC Code

887276184029

887276184012

KW RATING	
240V	4.9 kW
208V	3.7 kW
BREAKER SIZE	
240V	30 Amps
208V	20 Amps

**SAMSUNG**

Actual color may vary. Design, specifications, and color availability are subject to change without notice. Non-metric weights and measurements are approximate.

©2017 Samsung Electronics America, Inc. 85 Challenger Road, Ridgefield Park, NJ 07660. Tel: 800-SAMSUNG. samsung.com. Samsung is a registered trademark of Samsung Electronics Co., Ltd.