

# 36" Counter-Depth 3-Door Refrigerator

800 Series – Stainless Steel B36CT80SNS



**B36CT80SNS**  
Stainless Steel

Also available in:  
Black Stainless Steel  
B36CT80SNB

**Introducing the revolutionary, new FarmFresh System™, with four freshness technologies designed to work together to keep your food fresher, longer. Enjoy less food waste, new innovative features and more thoughtful design.**

## Features & Benefits

VitaFreshPro™ provides pre-programmed freshness settings to optimize temperature and humidity to keep meat, fish, and produce fresher, longer.

Interior Water Dispenser is thoughtfully placed inside for refreshing water at the touch of a button or a push of a nozzle.

FlexBar™ utilizes typically unused space in the upper refrigerator cavity.

| General Properties   |   |
|--|---|
| Full 72" height and true counter depth for built-in appearance | Yes                                     |
| Easy Clean Stainless Steel                                     | Yes                                     |
| Lighting   | Recessed LED light bars                 |
| Number of compressors/evaporators                              | 2 / 2                                   |
| Defrost process refrigerator section                           | Frost-free                              |
| Number of shelves – refrigerator                               | 5                                       |
| Adjustable shelves – refrigerator                              | 4 half-width                            |
| Shelf material – refrigerator                                  | Tempered glass                          |
| Type of shelves – refrigerator                                 | Frameless split shelves with metal trim |
| Flexible storage bar   | FlexBar™                                |
| Gallon storage bins  | 2                                       |
| Humidity control compartments                                  | 2                                       |
| Full width temp. & humidity controlled drawer                  | VitaFreshPro™                           |
| Ice maker  | Yes                                     |
| Water filter   | UltraClarityPro™                        |
| Internal water dispenser                                       | Yes                                     |
| Touch control panel  | Yes                                     |
| AirFresh® filter   | Yes                                     |
| FreshProtect™ ethylene filter                                  | Yes                                     |
| MultiAirFlow™  | Yes                                     |
| Stainless steel back wall                                      | Yes                                     |
| Defrost process freezer section                                | Automatic                               |
| Number of drawers – freezer                                    | 3                                       |
| Wi-Fi enabled  | Yes, Home Connect™ app                  |

| Capacity              |              |
|-----------------------|--------------|
| Total capacity        | 20.8 cu. ft. |
| Refrigerator capacity | 14.8 cu. ft. |
| Freezer capacity      | 6 cu. ft.    |

| Technical Details |              |
|-------------------|--------------|
| Current           | 15 A         |
| Volts             | 115 V        |
| Frequency         | 60 Hz        |
| Power cord length | 67"          |
| Plug type         | 120V-3 prong |

| Dimensions & Weight  |                            |
|--|----------------------------|
| Appliance dimensions with hinges, handles and doors (HxWxD)    | 72"* x 35 5/8" x 31 1/8"   |
| Appliance dimensions without hinges and doors (HxWxD)          | 71 1/2" x 35 5/8" x 24"*** |
| Appliance dimensions with hinges and doors, no handles (HxWxD) | 72"* x 35 5/8" x 28 3/4"   |
| Required cutout size (HxWxD)                                   | 72" x 36" x 25"            |
| Net weight   | 350 lbs                    |

| Efficiency             |            |
|------------------------|------------|
| Energy consumption     | 570 kWh/yr |
| ENERGY STAR® qualified | Yes        |

| Accessories                               |  |
|---|--|
| UltraClarityPro™ Water Filter: BORPLFTR55 |  |
| Ethylene Filter Kit: FPETHKT50            |  |
| Ethylene Filter Refill Kit: FPETHRF50     |  |
| 90 Degree Door Stopper: 10012733          |  |



\*When leveling legs are fully extended, add 5/8" to overall height, total 72 5/8".

\*\*The cutout depth of 25" includes the required 1" airflow. The electrical covers on the back of unit do not require additional depth.

**Accessories:** To purchase Bosch accessories, cleaners & parts please visit [www.bosch-home.com/us/store](http://www.bosch-home.com/us/store) or call 1-800-944-2904 (Mon to Fri 5 am to 6 pm PST, Sat 6 am to 3 pm PST).

**Notes:** All height, width and depth dimensions are shown in inches. BSH reserves the absolute and unrestricted right to change product materials and specifications, at any time, without notice. Consult the product's installation instructions for final dimensional data and other details prior to making cutout.

**Warranties:** Please see Use & Care manual or Bosch website for statement of limited warranty.

**For more information on our entire line of products, go to [www.bosch-home.com/us](http://www.bosch-home.com/us) or call 1-800-944-2904**

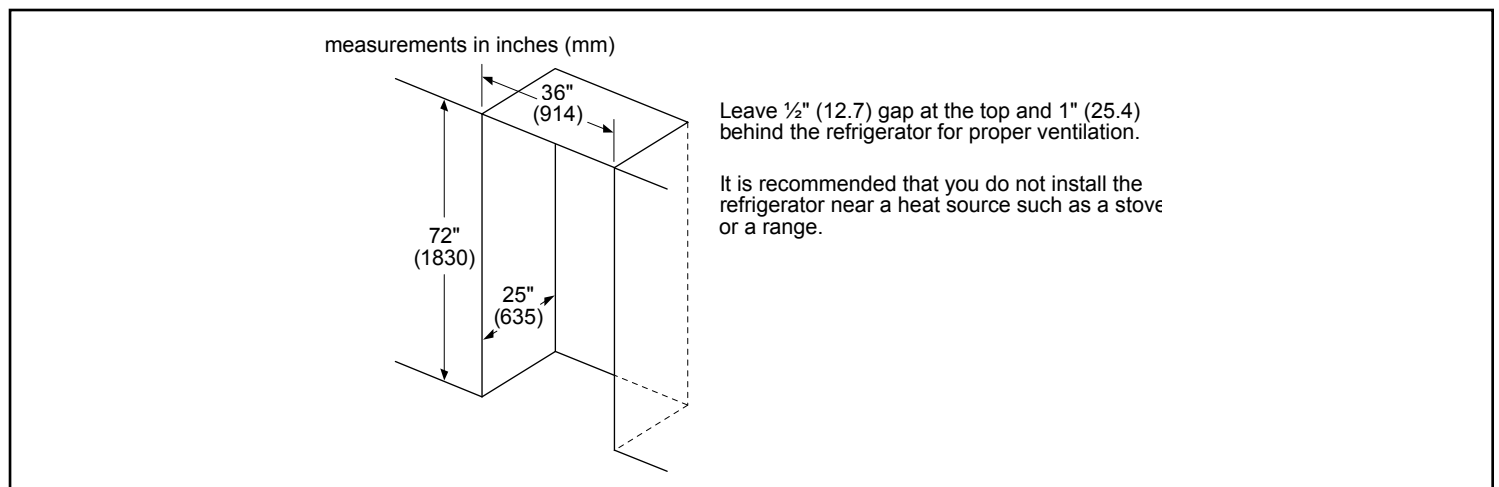
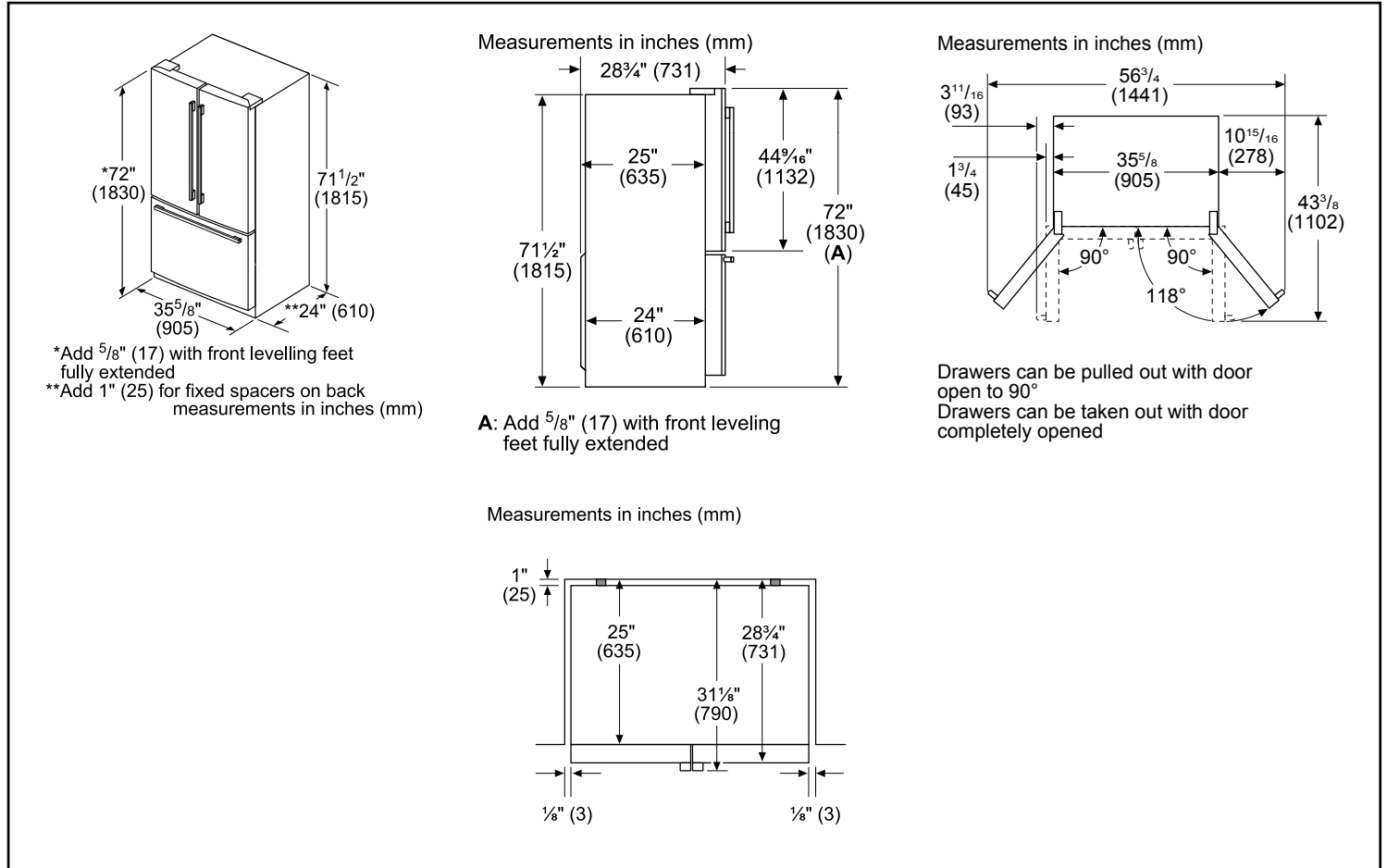
© BSH Home Appliances Corporation. All rights reserved. Bosch is a registered trademark of Robert Bosch GmbH.

# 36" Counter-Depth 3-Door Refrigerator

800 Series – Stainless Steel B36CT80SNS



## Installation Details



**Accessories:** To purchase Bosch accessories, cleaners & parts please visit [www.bosch-home.com/us/store](http://www.bosch-home.com/us/store) or call 1-800-944-2904 (Mon to Fri 5 am to 6 pm PST, Sat 6 am to 3 pm PST).

**Notes:** All height, width and depth dimensions are shown in inches. BSH reserves the absolute and unrestricted right to change product materials and specifications, at any time, without notice. Consult the product's installation instructions for final dimensional data and other details prior to making cutout.

**Warranties:** Please see Use & Care manual or Bosch website for statement of limited warranty.

**For more information on our entire line of products, go to [www.bosch-home.com/us](http://www.bosch-home.com/us) or call 1-800-944-2904**

© BSH Home Appliances Corporation. All rights reserved. Bosch is a registered trademark of Robert Bosch GmbH.