



20.0 Cu. Ft. Top Freezer Refrigerator

Top Freezer Refrigerator

Available Products: FPHT2097VF

Available Colors: Stainless Steel

Version: 08/22

**Product Specifications**

**Refrigerator**

Air Filter	Yes
Crisper Color	Clear
Deli Drawer	Yes
Door Bin Color	Clear
Humidity Controls	Automatic
Interior Lighting	LED
Shelf Material	Glass
Number of Adjustable Gallon Door Bins	2
Number of Other Door Bins	1
Total Number of Door Bins	3
Number of Adjustable Shelves	2
Number of Fixed Shelves	1
Number of Crispers	2

**Ice Maker**

Ice Maker	No
Ice Maker Ready	Yes

**Exterior**

Door Swing	Right Hinge
Rear Rollers	Yes
Door Finish	Smooth

**Electrical Specifications**

Amps @ 120 Volts	2 Amps
Minimum Circuit Required	15 Amps

**Certifications and Approvals**

ADA Compliant	Yes
---------------	-----

**Safety Certifications and Approvals**

UL Listed	Yes
-----------	-----

**Freezer**

Automatic Defrost	Yes
Baskets / Bins Color	Clear
Door Bin Color	Clear
Interior Lighting	LED
Shelf Material	Glass
Number of Fixed Door Bins	2
Number of Adjustable Shelves	1

**Controls**

Air Filter Indicator	Yes
Digital Display	No
Door Ajar Alarm	Yes
Sabbath Mode	Yes
Control Location	Top Center of Fresh Food

**Dimensions and Volume**

Height With Hinge	66 3/8"
Height Without Hinge	65 7/8"
Width	30"
Width of Cabinet	30"
Depth of Cabinet	28 1/4"
Depth With Door	32"
Depth With Door 90° Open	58 5/8"
Depth With Door and Handle	34 3/4"
Fresh Food Capacity	14.6 Cu. Ft.
Freezer Capacity	5.4 Cu. Ft.
Total Capacity	20 Cu. Ft.

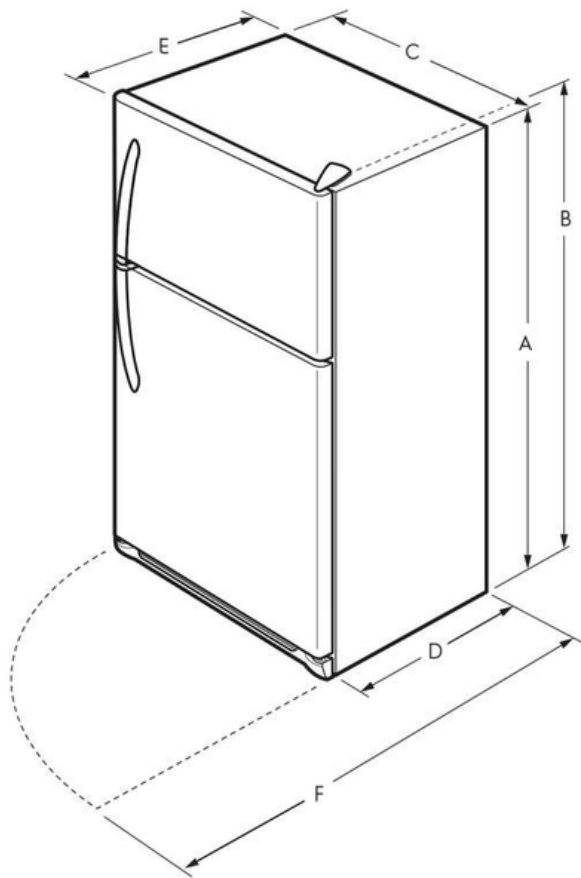
**General Specifications**

Annual Energy	385 kWh
Leveling Legs	Yes
Prop 65 Label	Yes
Refrigerant Type	R-600A
Warranty - Labor	1 Year
Warranty - Parts	1 Year

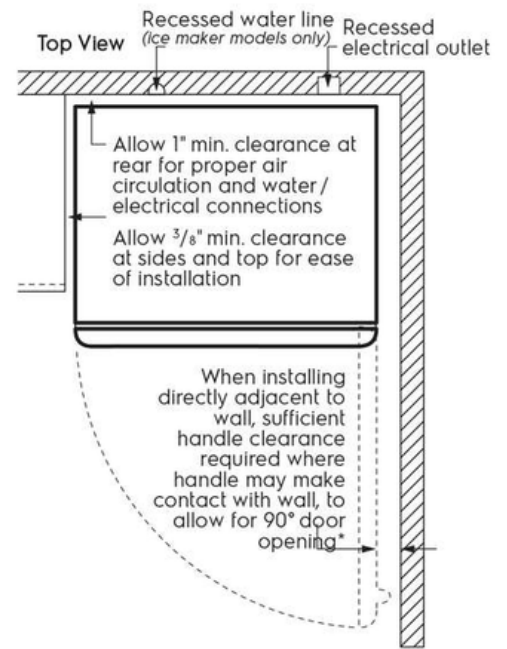
**Performance Certifications and Approvals**

ENERGY STAR Certified	Yes
-----------------------	-----

## Installation Diagram



A	65 <sup>7</sup> / <sub>8</sub> "
B	66 <sup>3</sup> / <sub>8</sub> "
C	30"
D	28 <sup>1</sup> / <sub>4</sub> "
E	32"
F	58 <sup>5</sup> / <sub>8</sub> "



\* When installing refrigerator adjacent to wall, cabinet or other appliance that extends beyond front edge of unit, 20" minimum clearance recommended to allow for optimum 140° door swing, providing complete crisper access and removal. (Absolute 3" minimum clearance will ONLY allow for 90° door swing which will provide limited crisper access with restricted removal.)