

Quick Start Guide – Frontload Washer

REGISTER YOUR PRODUCT

USA ONLY

Welcome to the Speed Queen® family. Thank you for your support of our truly commercial quality products. Please take a moment to register your product – it’s quick and easy:

Simply go to www.speedqueen.com/register



Backed by Legendary 3, 5, 7 Year Parts & Labor Warranties.

Visit speedqueendoc.net to view Warranty Bond

Simplified warranty service

Latest product info

Verification of ownership

Opt-in for latest offers & promotions

Before Using

- ✓ Follow Safety and Installation Instructions
- ✓ Double check the following:
 - Power cord is connected to a properly installed electrical outlet
 - Machine is leveled
 - Lock nuts on leveling legs are tightened
 - Front shipping brace and 2 rear shipping bolts have been removed
 - Cold and Hot water supply are properly connected and there are no leaks
 - Drain hose is fastened securely without kinks using a beaded tie strap
- ✓ Wipe out wash drum using an all-purpose cleaner or detergent and water solution

Prepare Laundry / Tips for Optimal Fabric Care

- ✓ Always follow manufacturer’s care label
- ✓ Empty pockets and cuffs
- ✓ Mend rips and tears
- ✓ Close zippers and fasten hooks
- ✓ Put small items in a mesh bag
- ✓ Check for colorfastness
- ✓ Sort items by color, fabric, temperature, soil level, and level of lint attraction
- ✓ Pretreat stains individually

Loading Laundry

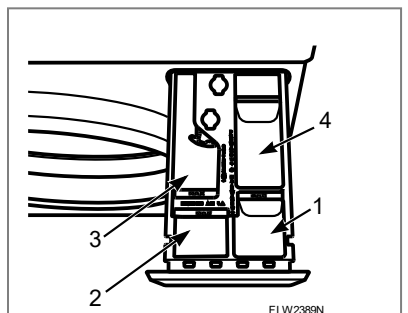
- ✓ Load items loosely
- ✓ Determine load size based on bulk of load, rather than weight
- ✓ Do not hesitate to fill entire wash drum
- ✓ Balance load by washing small and large items together
- ✓ To minimize wear on large, bulky items such as blankets and comforters, use Bedding cycle

| Water Temp | Use | Comments |
|-------------|---|--|
| Hot | <ul style="list-style-type: none"> ○ Sturdy whites and colorfast items ○ Work clothes ○ Soiled items ○ Diapers | Best cleaning for items soiled with oily or greasy stains, grass, or ink. |
| Warm | <ul style="list-style-type: none"> ○ Light/ moderately soiled items ○ Non-colorfast or dark colors ○ Permanent press ○ Silks, woolens, nylon, acrylic | Reduce wrinkles in permanent press fabrics, reduces shrinking in knits and reduces fading. |
| Cool | <ul style="list-style-type: none"> ○ Permanent press ○ Silks, woolens, nylon, acrylic | Reduces shrinking in knits and reduces fading. |
| Cold | <ul style="list-style-type: none"> ○ Non-colorfast fabrics ○ Extra delicate clothing | Saves energy, reduces fading, wrinkles and shrinking |

Adding Detergent

- ✓ Use HE detergent.
- ✓ If using non-HE detergent, avoid over-sudsing by using only ½ the amount recommended by the detergent manufacturer
- ✓ Note that most detergents do not dissolve well in water temperatures colder than 60°F [16°C]
- ✓ If using detergent pods, packets or sheets, add directly to wash drum with laundry items

Look for this logo:



1. Main Wash Detergent
2. Liquid Bleach
3. Fabric Softener
4. Pre-Wash Detergent

Cleaning Washer

- Tub Clean cycle: Use this cycle on its own or with an added cleaning agent such as bleach, distilled white vinegar, or a washing machine tub cleaner for an extra cleaning boost. Refer to *Tub Clean* section in User's Guide for full procedure.
- Only use a damp or sudsy cloth to clean the control panel, wipe dry after. Some cleaning products may harm finish or damage interior. DO NOT use products that contain alcohol on control panel.
- Wipe washer cabinet as needed. If detergent, bleach or other products are spilled on cabinet, wipe immediately; some products could cause permanent damage.
- Do not use abrasive cleaners or scouring pads on washer.
- Occasionally wipe down perimeter of door glass where the seal meets the glass as well as front surface of the door seal lip with a mild soap solution. If mineral build-up occurs, surface may need to be cleaned with a lime removal chemical.
- If water remains in the door seal, the drain holes at the bottom of the door opening may be plugged and will need to be cleaned out so the water can be drained properly.
- To clean dispenser: Pour hot water into dispenser drawer, making sure to flush each compartment. Use a small brush to clean out any residue.
- Cleaning Foreign Object Trap: The washer has a pump that may collect foreign objects and may need to be cleaned if water is draining slower than normal. Refer to *Cleaning Foreign Object Trap* section in User's Guide for more details.

Preventative Maintenance

| Frequency | Procedure |
|------------------|---|
| Monthly | <ol style="list-style-type: none"> 1. Check drain and all hoses for leaks 2. Check door lock for proper operation 3. Clean dispenser drawer 4. Make sure machine is level |
| Every six months | <ol style="list-style-type: none"> 1. Clean filter screens in fill hoses 2. Clean door gasket with a bleach and water solution |
| Every five years | <ol style="list-style-type: none"> 1. Have a qualified service technician conduct general preventative maintenance to ensure proper operation 2. Replace fill hoses |

Out of Balance Load

If the load is dripping wet at end of cycle, the washer has limited the spin speed. This prevents damage if there is a severely unbalanced load. If this occurs, redistribute load manually. Run a SPIN cycle. If it persists, refer to *Before Washing* section in User's Guide.

Error Codes

For the following error codes, refer to *Troubleshooting* section in the User's Guide. For error codes not on this list, contact service.

| | |
|--------|--------|
| Er, do | Er, dU |
| Er, dL | Er, dl |
| Er, dr | Er, ub |
| Er, FL | PF |
| Er, nF | Er, SL |
| Er, OF | Sr |
| Er, PS | |

Troubleshooting

| Washer Symptom | Possible Causes / Solutions |
|--------------------------------|--|
| Too many suds – Over-sudsing | <ul style="list-style-type: none"> ○ Use the recommended amount of low-sudsing, high efficiency (HE) detergent per the detergent's label. If using non-HE detergent, use only 1/2 of detergent manufacturer's recommended amount. ○ Laundry load may be overloaded. Refer to <i>Loading Laundry</i>. |
| Noises | <ul style="list-style-type: none"> ○ Make sure washer is level. Uneven leveling can cause noise/vibration. ○ Some sounds are normal, such as clicking noise during the following: door locks/unlocks, balance ring during cycle agitation, or the balance balls clicking together when rotating the tub slowly. |
| Vibration / Moves Slightly | <ul style="list-style-type: none"> ○ Make sure washer is level. Uneven leveling can cause noise/vibration. ○ Make sure shipping materials have been removed. ○ Make sure washer is installed on a solid, sturdy and level floor. Washer should not be installed on carpeting, soft tile, or other weakly supported structures. ○ Make sure rubber feet are installed on all four leveling legs. ○ Try placing washer near a corner of the room or near an external structural support wall. |
| Water leaks | <ul style="list-style-type: none"> ○ Check that fill hoses are properly installed on faucets and washer's water mixing valve. ○ Check condition of fill hoses. Replace fill hoses every five years. ○ Check condition of rubber door gasket for tears or holes. ○ Make sure drain receptacle is not clogged. Check plumbing in laundry area. ○ Laundry load may be over-sudsing; use high efficiency (HE) detergent. ○ Laundry load may be overloaded. Refer to <i>Loading Laundry</i>. ○ Make sure outside perimeter of the door glass where seal contacts glass is clean. |
| Unresponsive control pad | <ul style="list-style-type: none"> ○ Make sure Control Lock feature is off. If on, Control Lock light will be lit. ○ Press and hold Signal Keypad for three seconds to turn off. |
| Water draining abnormally slow | <ul style="list-style-type: none"> ○ The washer has a pump that may collect foreign objects and may need to be cleaned. To clean, refer to the <i>Cleaning Foreign Object Trap</i> section in the User's Guide. |
| Smells | <ul style="list-style-type: none"> ○ Leave door and dispenser open slightly when not in use. |

Contact Information

If service is needed, refer to the *Contact Information* page in the User's Guide.