

DSKP333EC

GE Spacemaker® Portable Dryer

Dimensions and Installation Information (in inches)

Dryer Note:

Dryer wall outlet must be located within 36" of service cord entry and accessible when dryer is mounted in position.

Special Installation Requirements

Alcove or Closet Installation:

- If your dryer is approved for installation in an alcove or closet, it will be stated on a label on the dryer back.
- The dryer MUST be exhausted to the outside.
- Minimum clearances between dryer cabinet and adjacent walls or other surfaces are:
 - 0" either side
 - 3" front and rear
- Minimum vertical space from floor to overhead cabinets, ceilings, etc. is 52".
- Closet doors must be louvered or otherwise ventilated and must contain a minimum of 60 sq. in. of open area equally distributed. If this closet contains both a washer and a dryer, doors must contain a minimum of 120 sq. in. of open area equally distributed.
- No other fuel-burning appliance shall be installed in the same closet with a gas dryer.

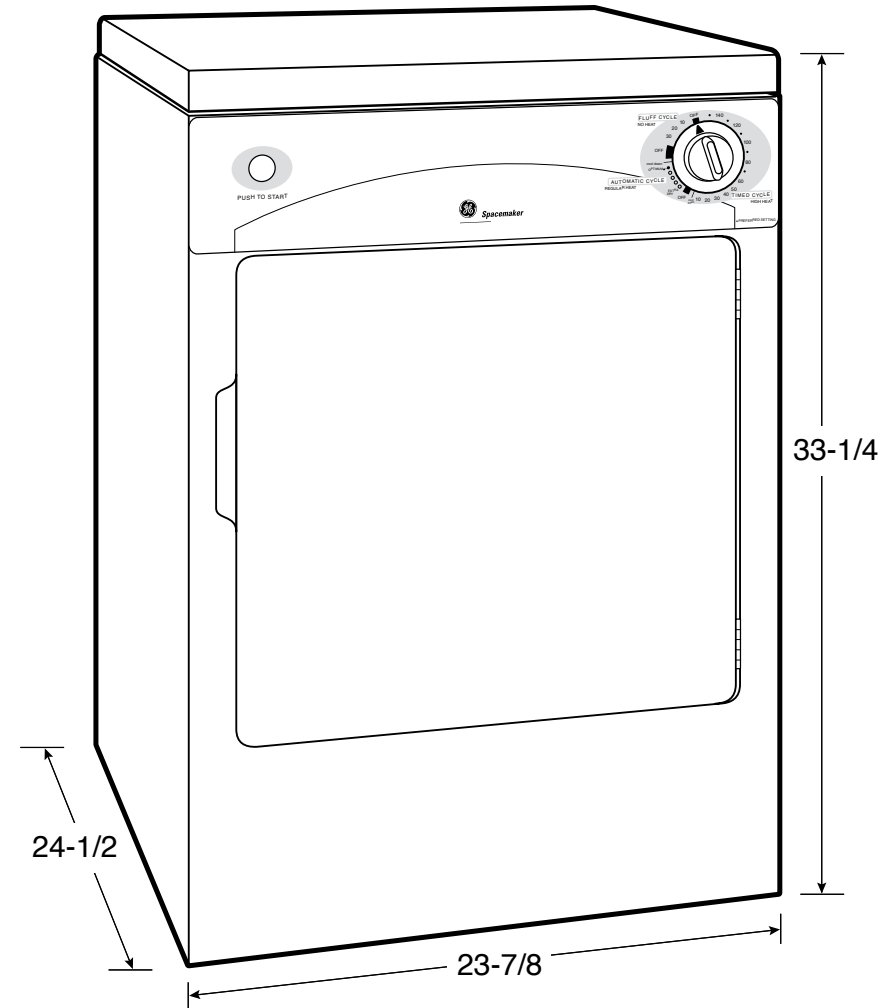
Bathroom or Bedroom Installation:

- The dryer MUST be exhausted to the outdoors.
- The installation must conform with the local codes, or in the absence of local codes, with the National Fuel Gas Code, ANSI Z223.

Minimum Clearances other than Alcove or Closet Installation:

- Minimum clearances to combustible surfaces
 - 0" both sides
 - 3" rear

For answers to your Monogram®, GE Profile™ or GE® appliance questions, visit our website at ge.com or call GE Answer Center® service, 800.626.2000.



imagination at work



Listed by
Underwriters
Laboratories

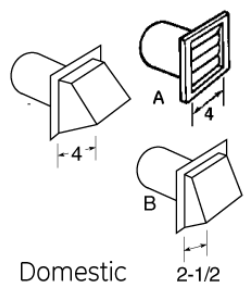
Specification Revised 9/07

360430

DSKP333EC

GE Spacemaker® Portable Dryer

Dimensions and Installation Information (in inches)



	Number of 90° turns	Best performance			
		Exhaust hood type		Exhaust hood type	
		A 4" opening	B 2-1/2" opening	A 4" opening	B 2-1/2" opening
Domestic dryer models					
Spacemaker® models					
DSKS433EB	0	46 ft.	37 ft.	30 ft.	24 ft.
DSKS333EC	1	38 ft.	30 ft.	25 ft.	20 ft.
DSKP333EC	2	31 ft.	22 ft.	20 ft.	14 ft.
WSM2780H	3	24 ft.	15 ft.	16 ft.	10 ft.
	0	56 ft.	42 ft.	30 ft.	22 ft.
	1	46 ft.	36 ft.	22 ft.	14 ft.
Spacemaker model	2	34 ft.	28 ft.	16 ft.	10 ft.
WSM2700H	3	32 ft.	18 ft.	10 ft.	5 ft.
Spacemaker models	0	43 ft.	36 ft.	30 ft.	24 ft.
WSM2420D	1	33 ft.	26 ft.	24 ft.	18 ft.
WSM2480D	2	23 ft.	16 ft.	16 ft.	10 ft.

For answers to your Monogram®, GE Profile™ or GE® appliance questions, visit our website at ge.com or call GE Answer Center® service, 800.626.2000.



imagination at work

For complete information, see installation instructions packed with your dryer.

Ducting Materials:

For best performance, this dryer should be vented with 4" diameter all rigid metal exhaust duct. If "all rigid metal" duct cannot be used, then "flexible all metal" venting can be used, but it will reduce the maximum recommended duct length.

Exhaust Length Calculation:

1. Determine the number of 90° turns needed for your installation. If you exhaust to the side or bottom of dryer, add one turn.
2. The maximum length of 4' rigid (aluminum or galvanized) duct which can be tolerated is shown in the table. The maximum length for flexible ducts are less than for rigid duct.

A turn of 45° or less may be ignored. Two 45° turns within the duct length should be treated as a 90° elbow. A turn over 45° should be treated as a 90° elbow.

Exhausting the dryer to the outside is strongly recommended to prevent large amounts of moisture and lint from being blown into the room. Gas dryers or any dryer located in a closet **must** be exhausted to the outside.

Caution: For personal safety do not terminate exhaust into a chimney, under any enclosed house floor (crawl space), or into an attic, since the accumulated lint could create a fire hazard or moisture could cause damage. Never terminate the exhaust into a common duct or plenum with a kitchen exhaust, since the combination of lint and grease could create a fire hazard.

Exhaust ducts should be terminated in a dampered wall cap to prevent back drafts, bird nesting, etc. The wall cap must also be located at least 12" above the ground or any other obstruction with the opening pointed down.

Other terminations, such as louvered wall boxes, are acceptable provided they are equivalent to a 4" opening dampered wall cap.



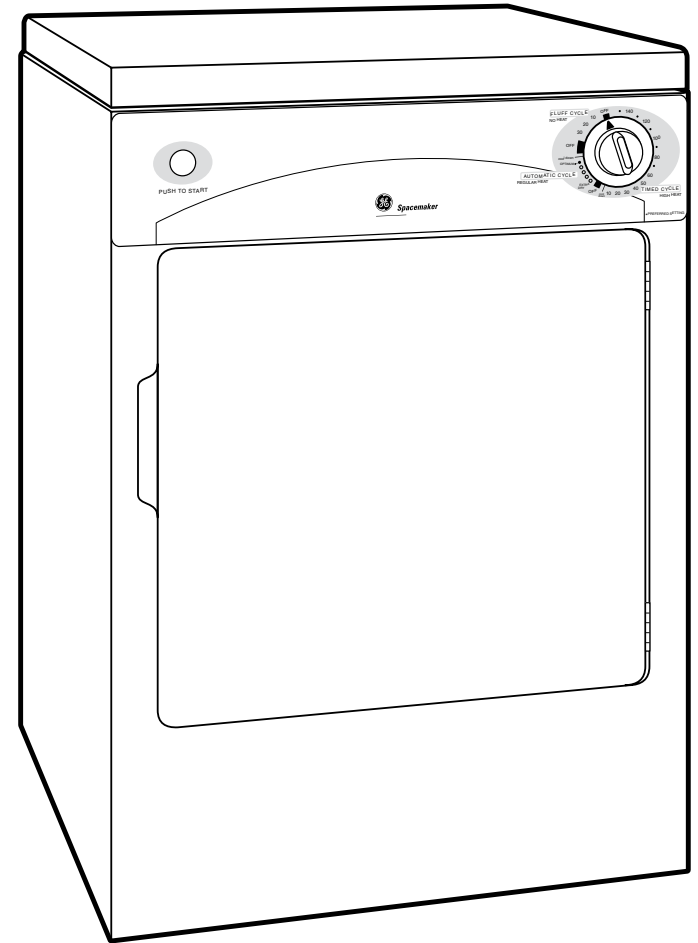
Listed by
Underwriters
Laboratories

DSKP333EC

GE Spacemaker® Portable Dryer

Features and Benefits

- 3.6 Cu. Ft. Capacity
- 3 Dry Cycles: Cottons – Automatic regular, timed dry (150 mins.) and quick fluff (no heat) - 30 mins.
- 3 Heat Selections (Timer)
- DuraDrum™ Interior
- Quiet-By-Design™
- Portable Model
- Model DSKP333ECWW – White on white



For answers to your Monogram®, GE Profile™ or GE® appliance questions, visit our website at ge.com or call GE Answer Center® service, 800.626.2000.



imagination at work



Listed by
Underwriters
Laboratories