

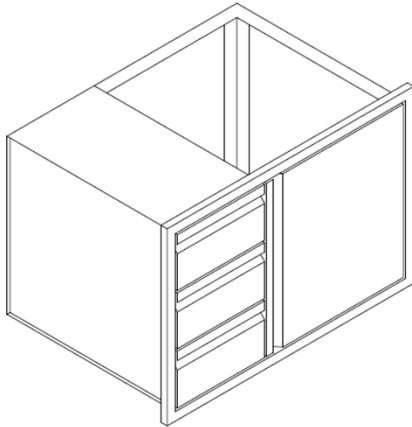


TWINEAGLES

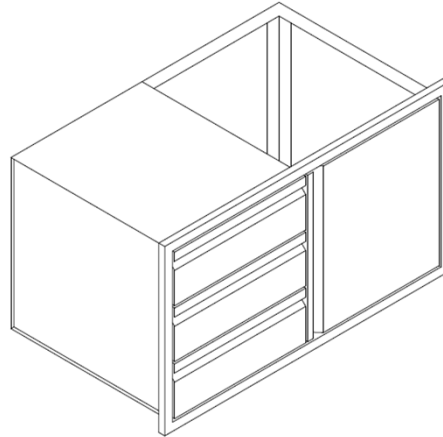
U S A

Defining the Art of Outdoor Cooking

Twin Eagles 3-Drawer-Door Combo



TEDD303-B



TEDD363-B

Features:

- ▼ Stainless steel welded construction
- ▼ Heavy duty, 100 lbs capacity, full extension and self closing removable slides
- ▼ **SOFT** closing doors with 3-way adjustable and concealed hinges
- ▼ Double walled doors with welded inside liners
- ▼ Non-protruding flush drawer and door handle design with high-polished accents
- ▼ One-piece 18 gauge front frame
- ▼ Extra large drawers
- ▼ Easy to install

Specifications:

Overall Dimensions

	TEDD303-B	TEDD363-B
Height	: 20.75"	20.75"
Width	: 30.00"	36.00"
Depth	: 20.75"	20.75"
Ship Weight	: 55 lbs	70 lbs.

Cutout Dimensions

	TEDD303-B	TEDD363-B
Height	: 19.00"	19.00"
Width	: 29.25"	35.25"
Depth	: n/a	n/a

www.twineaglesbbq.com

Twin Eagles, Inc.

13231 166th St. Cerritos, CA. 90703