

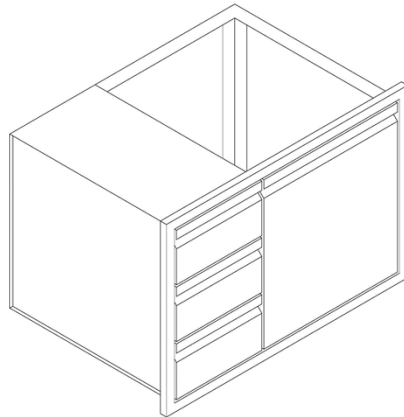


TWINEAGLES

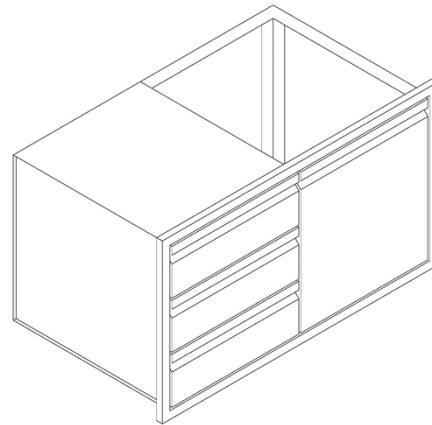
U S A

Defining the Art of Outdoor Cooking

Twin Eagles Drawer-Door Combo



TEDD303-B
* TEDD302-B



TEDD363-B
* TEDD362-B

Features:

- ▼ Stainless steel welded construction.
- ▼ Heavy duty, 100 lbs capacity, full extension and self closing removable slides.
- ▼ **SOFT** closing doors with 3-way adjustable and concealed hinges.
- ▼ Double walled doors with welded inside liners.
- ▼ Non-protruding flush drawer and door handle design with high-polished accents.
- ▼ One-piece 18 gauge front frame
- ▼ Extra large drawers.
- ▼ Easy to install.

Specifications:

Overall Dimensions

	TEDD303-B * TEDD302-B	TEDD363-B * TEDD362-B
Height	: 20.75"	20.75"
Width	: 30.00"	36.00"
Depth	: 20.75"	20.75"
Ship Weight	: 55 lbs	70 lbs.

Cutout Dimensions

	TEDD303-B * TEDD302-B	TEDD363-B * TEDD362-B
Height	: 19.00"	19.00"
Width	: 29.25"	35.25"
Depth	: n/a	n/a

* Not Shown

www.twineaglesbbq.com

Twin Eagles, Inc.

13231 166th St. Cerritos, CA. 90703