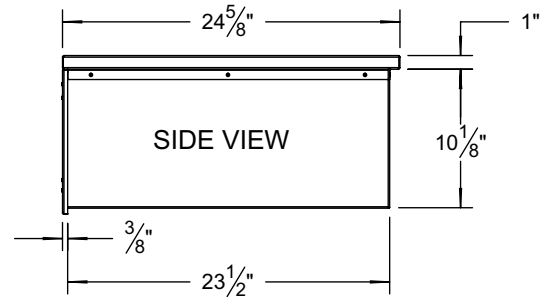
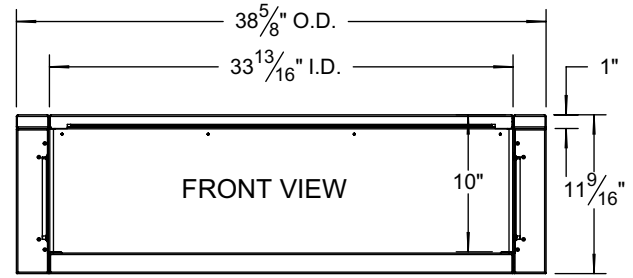
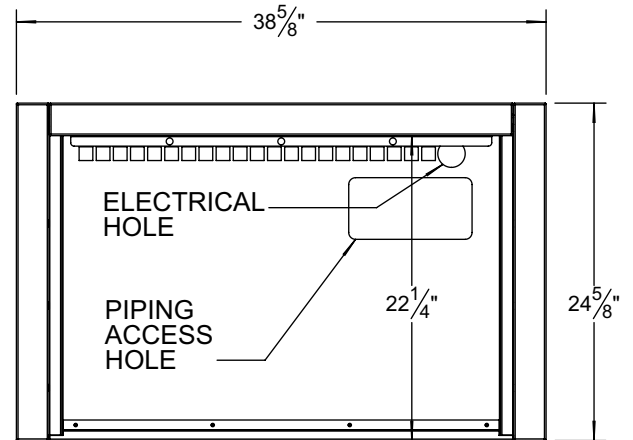
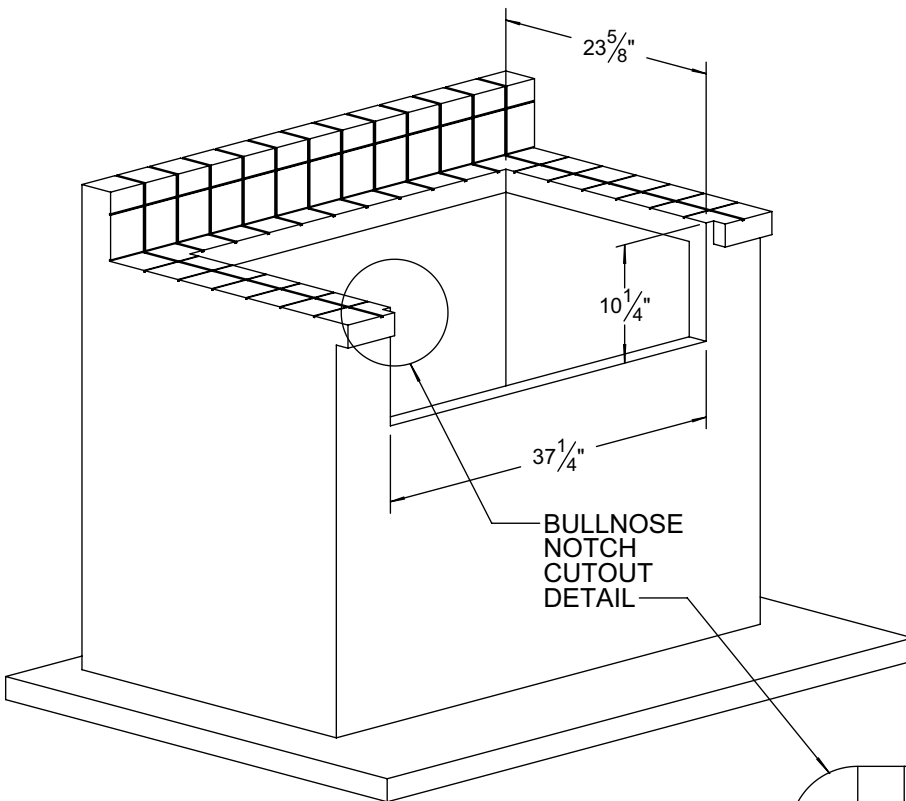


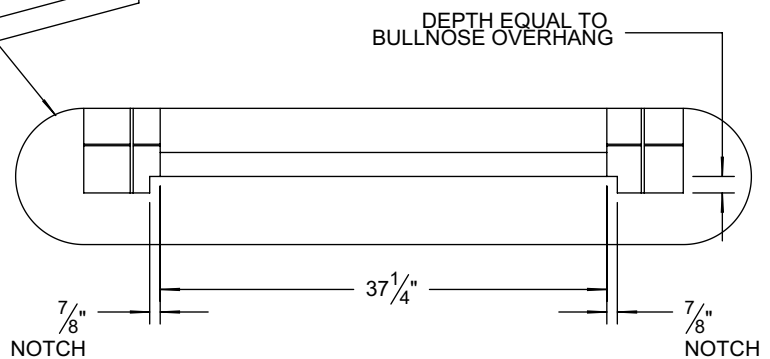
**TYPICAL ARTIJ-36 INSTALLATION**



**COUNTER CUTOUT REQUIREMENTS**



**TOP VIEW**



**NOTE:**

COUNTER MUST HAVE THE PROPER GAS SUPPLY AND ELECTRICAL POWER FOR YOUR ARTISAN BBQ MODEL. REFER TO YOUR UNIT'S MANUAL OR SERIAL PLATE INFORMATION.