

Luxury



## C-Series

HC24RB - 24" Refrigerator



Indoor Models

- HC24RB-1L\*
- HC24RB-2L\*
- HC24RB-3L\*
- HC24RB-4L\*
- HC24RB-5
- HC24RB-6

Outdoor Models

- HC24RO-1L\*
- HC24RO-2L\*
- HC24RO-5
- HC24RO-6

\*Also available with right hinge



Solid Door Refrigerator  
HC24RB-1R



Glass Door Refrigerator  
HC24RB-3R



Refrigerator Drawers  
HC24RB-5

### General Signature Series Features

- Zero-clearance hinging allows for abutment with surrounding cabinetry
- Best in Class 700 Btu commercial-grade compressor
- Front-vented, RAPIDcool forced-air refrigeration system
- Commercial-grade stainless steel interior
- **Industry Exclusive** convertible door design allows all doors the ability to be converted to wood overlay from stainless steel
- **Industry Exclusive** adjustable, full-extension pull-out shelves (drawer models excluded)
- Stainless-steel ball-bearing glides provide smooth movement of shelves
- Low E, UV-coated glass provides industry leading insulation and protection.
- Interior temperature control and light
- Optional door locks and Industry-Exclusive drawer locks (factory installed)
- Also available - C-Series Beverage Centers and Wine Reserve
- Indoor and outdoor models available
- 5.3 cubic feet of capacity
- Industry Best Three-Year Warranty plus additional three years on sealed system

### Refrigerator Features

- Available with solid stainless steel door, solid wood overlay door, stainless steel glass door, wood overlay glass door, stainless steel drawers or wood overlay drawers
- Includes two (2) full-extension pull-out shelves (drawer models excluded)
- Refrigerator rated for both food and beverage storage
- Refrigerator temperature 30°- 42°F (factory set at 38°F)



INNOVATION YOU CAN'T LIVE WITHOUT

8300 W. Good Hope Rd. • Milwaukee, WI 53223  
1-800-558-5592 • Fax: (414) 353-7069 • perlick.com

*Perlick is committed to continuous improvement. Therefore, we reserve the right to change specifications without warning.*

Form No.HC24RB  
Rev. 08.02.2012

## Product Specifications

Overall Width	23-7/8" (60.64 cm.)
Overall Height	34-1/4" (86.96 cm.)
Overall Depth	24" (60.96 cm.)
Opening Width	24" (60.96 cm.)
Opening Height	34-3/8" (87.31 cm.)
Opening Depth	24" (60.96 cm.)
Refrigerated Volume	5.3 cu. ft.
Door Swing Clearance	25" (63.50 cm.) minimum
Electrical	115V, 60Hz, 1 Phase, 2.3 amps
Plumbing	None Required
Annual Energy Usage	328 kWh/yr
Shipping Weight	183 lbs (83.01 kg.)



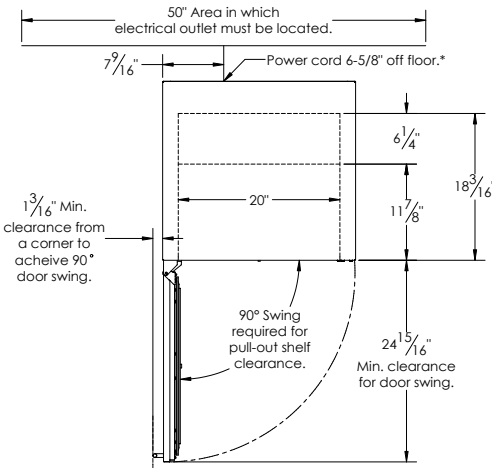
## Available Indoor Models - 24" Refrigerator

HC24RB-1L*	Solid stainless steel door, hinge left
HC24RB-2L*	Solid wood overlay door, hinge left
HC24RB-3L*	Stainless steel glass door, hinge left
HC24RB-4L*	Wood overlay glass door, hinge left
HC24RB-5	Stainless steel drawers
HC24RB-6	Wood overlay drawers

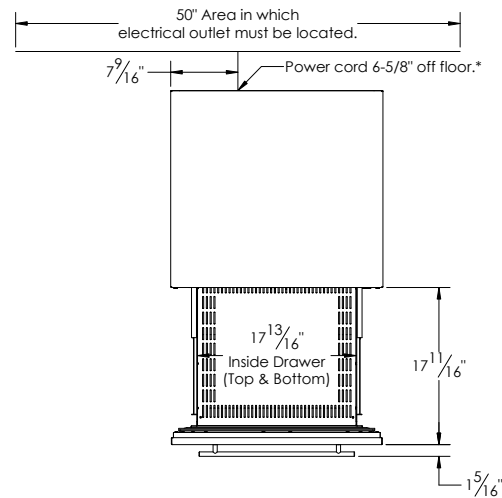
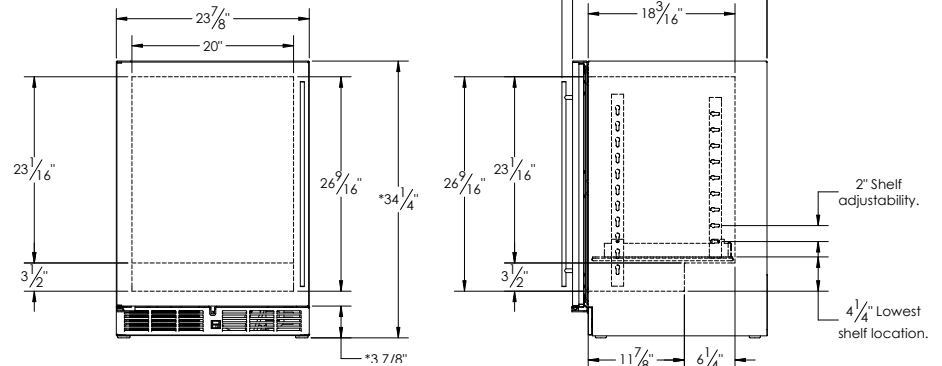
## Available Outdoor Models - 24" Refrigerator

HC24RB-1L*	Solid stainless steel door, hinge left
HC24RB-2L*	Solid wood overlay door, hinge left
HC24RB-5	Stainless steel drawers
HC24RB-6	Wood overlay drawers

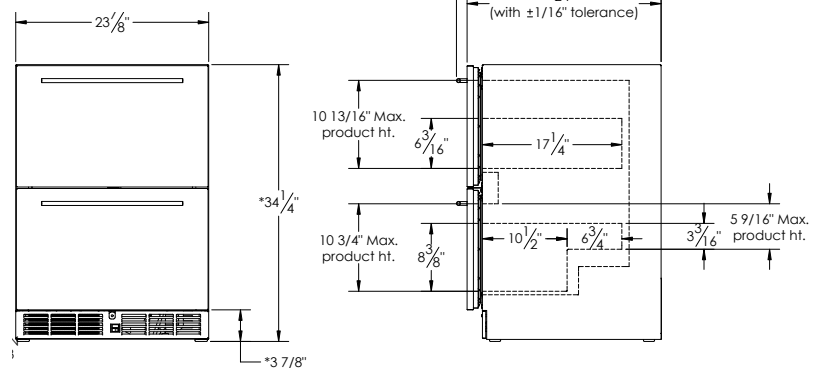
\* Also available hinge right



### Door Models



### Drawer Models



Form No.HC24RB  
Rev. 08.02.2012



8300 W. Good Hope Rd. • Milwaukee, WI 53223  
1-800-558-5592 • Fax: (414) 353-7069 • perlick.com

Perlick is committed to continuous improvement. Therefore, we reserve the right to change specifications without warning.