

Luxury



ADA-Compliant Series

HA24WB - 24" Wine Reserve



- HA24WB-1L*
- HA24WB-2L*
- HA24WB-3L*
- HA24WB-4L*



*Also available with right hinge



Solid Door Wine Reserve
HA24WB-1R



Glass Door Wine Reserve
HA24WB-3R

General ADA-Compliant Series Features

- 32" height with leveling legs
- Zero-clearance hinging allows for abutment with surrounding cabinetry
- Best in Class 700 Btu commercial-grade compressor
- Front-vented, RAPIDcool forced-air refrigeration system
- Commercial-grade stainless steel interior
- **Industry Exclusive** convertible door design allows all doors the ability to be converted to wood overlay from stainless steel
- **Industry Exclusive** adjustable, full-extension pull-out shelves (drawer models excluded)
- Stainless-steel ball-bearing glides provide smooth movement of shelves
- Low E, UV-coated glass provides industry leading insulation and protection.
- Optional door locks and Industry-Exclusive drawer locks (factory installed)
- Also available - ADA-Compliant Freezer, Refrigerator, Beverage Center and 15" Clear Ice Maker
- 4.8 cubic feet of capacity
- Industry Best Three-Year Warranty plus additional three years on sealed system

Wine Reserve Features

- Available with solid stainless steel door, solid wood overlay door, stainless steel glass door and wood overlay glass door
- Includes four (4) full-extension pull-out wine shelves
- Shelves are adjustable to accommodate oversize (magnum) bottles
- Product capacity is 32 wine bottles (750 ml.) on the shelves plus extra storage on the floor of the unit
- Wine Reserve temperature 40°- 68°F (factory set at 55°F)



INNOVATION YOU CAN'T LIVE WITHOUT

8300 W. Good Hope Rd. • Milwaukee, WI 53223
1-800-558-5592 • Fax: (414) 353-7069 • perlick.com

Perlick is committed to continuous improvement. Therefore, we reserve the right to change specifications without warning.

Form No.HA24WB
Rev. 07.09.2012

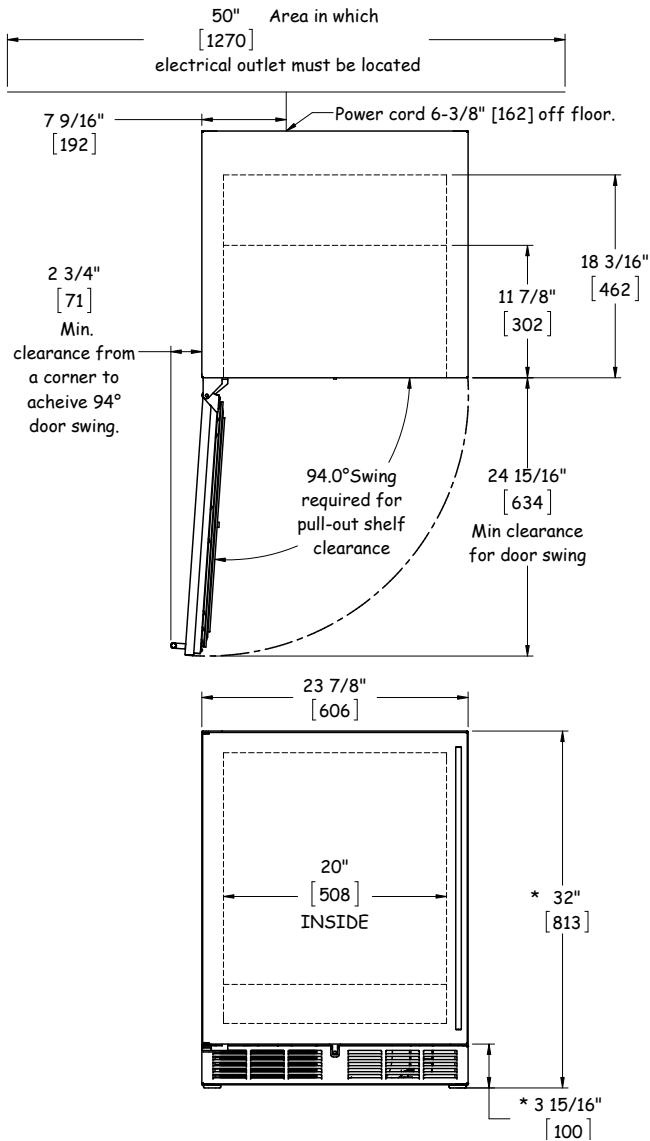
Product Specifications

Overall Width	23-7/8" (60.64 cm.)
Overall Height	32" (81.28 cm.)
Overall Depth	24" (60.96 cm.)
Opening Width	24" (60.96 cm.)
Opening Height	32-1/8" (81.60 cm.)
Opening Depth	24" (60.96 cm.)
Refrigerated Volume	4.8 cu. ft.
Door Swing Clearance	25" minimum
Electrical	115V, 60Hz., 1 Phase, 2.3 amps
Plumbing	None Required
Shipping Weight	190 lbs (86.18 kg)

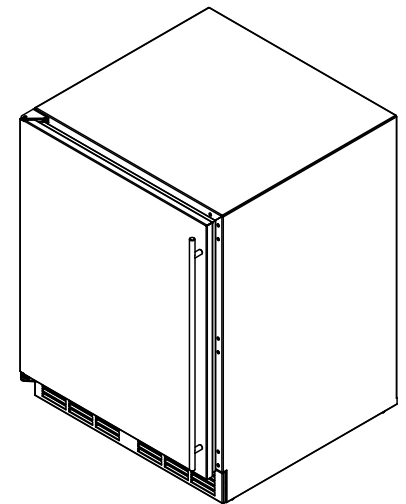
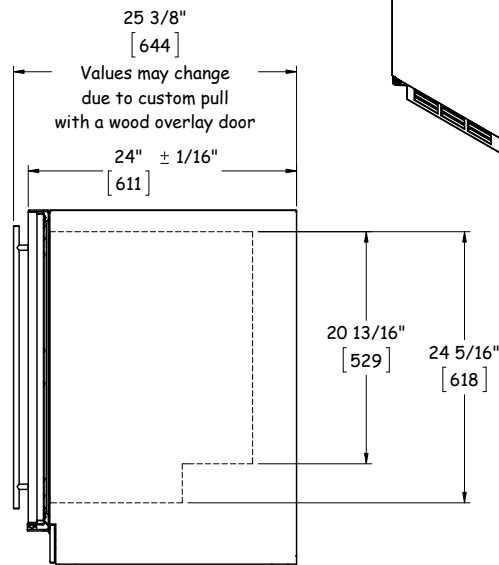
Available Models - ADA-Compliant Wine Reserves

HA24WB-1L*	Solid stainless steel door, hinge left
HA24WB-2L*	Solid wood overlay door, hinge left
HA24WB-3L*	Stainless steel glass door, hinge left
HA24WB-4L*	Wood overlay glass door, hinge left

* Also available hinge right



* - Leg levelers can add 3/4" to these dimensions when fully extended.



Form No.HA24WB
Rev. 07.09.2012



8300 W. Good Hope Rd. • Milwaukee, WI 53223
1-800-558-5592 • Fax: (414) 353-7069 • perlick.com

Perlick is committed to continuous improvement. Therefore, we reserve the right to change specifications without warning.