

Luxury



C-Series

HC24BB - 24" Beverage Center



- HC24BB-1L*
- HC24BB-2L*
- HC24BB-3L*
- HC24BB-4L*

*Also available with right hinge



Solid Door Beverage Center
HC24BB-1R



Glass Door Beverage Center
HC24BB-3R

General Signature Series Features

- Zero-clearance hinging allows for abutment with surrounding cabinetry
- Best in Class 700 Btu commercial-grade compressor
- Front-vented, RAPIDcool forced-air refrigeration system
- Commercial-grade stainless steel interior
- **Industry Exclusive** convertible door design allows all doors the ability to be converted to wood overlay from stainless steel
- **Industry Exclusive** adjustable, full-extension pull-out shelves (drawer models excluded)
- Stainless-steel ball-bearing glides provide smooth movement of shelves
- Low E, UV-coated glass provides industry leading insulation and protection.
- Interior temperature control and light
- Optional door locks and Industry-Exclusive drawer locks (factory installed)
- Also available - C-series Refrigerator and Wine Reserve
- 5.3 cubic feet of capacity
- Industry Best Three-Year Warranty plus additional three years on sealed system

Beverage Center Features

- Available with solid stainless steel door, solid wood overlay door, stainless steel glass door or wood overlay glass door
- Includes two (2) full-extension pull-out shelves wine shelves to accommodate 16 wine bottles (750 ml.) plus one (1) full-extension pull-out shelf
- Refrigerator temperature 30°- 48°F (factory set at 42°F)



INNOVATION YOU CAN'T LIVE WITHOUT

8300 W. Good Hope Rd. • Milwaukee, WI 53223
1-800-558-5592 • Fax: (414) 353-7069 • perlick.com

Perlick is committed to continuous improvement. Therefore, we reserve the right to change specifications without warning.

Form No.HC24BB
Rev. 07.09.2012

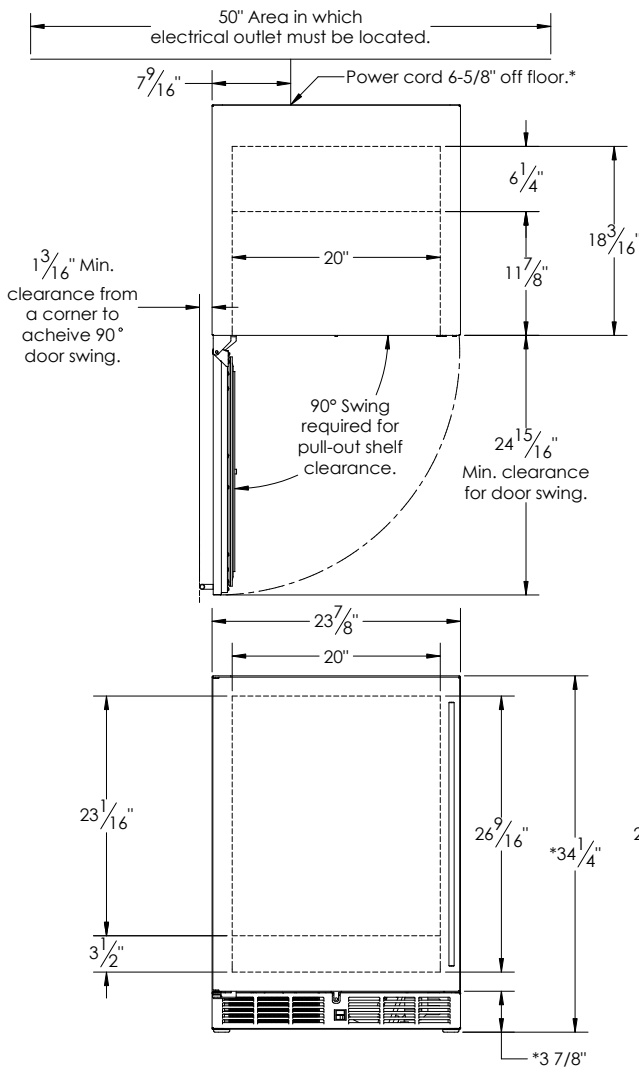
Product Specifications

Overall Width	23-7/8" (60.64 cm)
Overall Height	34-1/4" (86.96 cm)
Overall Depth	24" (60.96 cm)
Opening Width	24" (60.96 cm.)
Opening Height	34-3/8" (87.31 cm.)
Opening Depth	24" (60.96 cm.)
Refrigerated Volume	5.3 cu. ft.
Door Swing Clearance	25" (63.50 cm) minimum
Electrical	115V, 60Hz., 1 Phase, 2.3 amps
Plumbing	None Required
Annual Energy Usage	328 kWh/yr
Shipping Weight	195 lbs (88.45 kg)

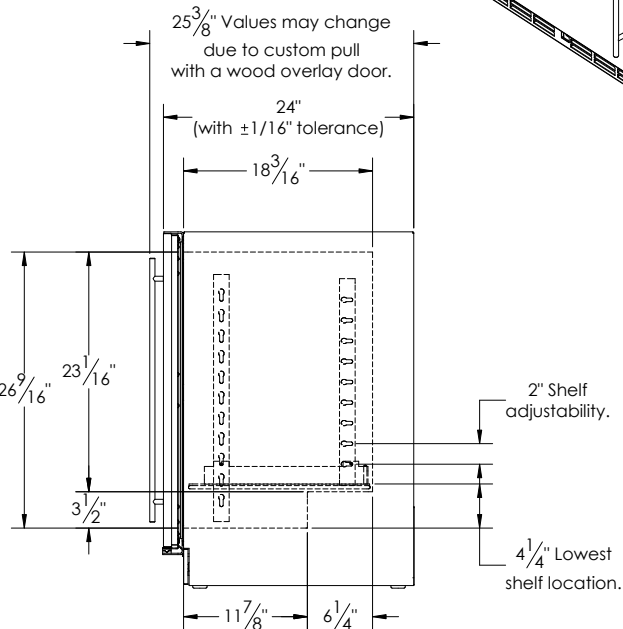
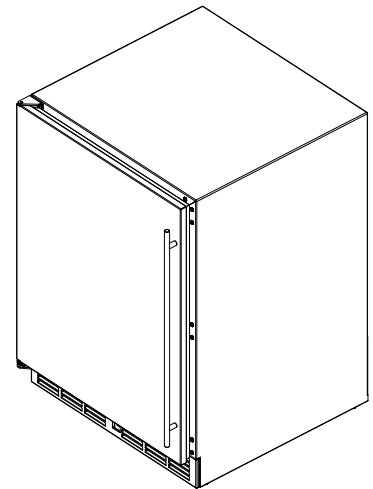
Available Models - 24" Beverage Center

HC24BB-1L*	Solid stainless steel door, hinge left
HC24BB-2L*	Solid wood overlay door, hinge left
HC24BB-3L*	Stainless steel glass door, hinge left
HC24BB-4L*	Wood overlay glass door, hinge left

* Also available hinge right



* - Leg leveler can add 3/4" to these dimensions when fully extended.



Form No.HC24BB
Rev. 07.09.2012

Perlick®

8300 W. Good Hope Rd. • Milwaukee, WI 53223
1-800-558-5592 • Fax: (414) 353-7069 • perlick.com

Perlick is committed to continuous improvement. Therefore, we reserve the right to change specifications without warning.