



## S9GMXU

Free-Standing Dual Fuel Range, 36",  
Stainless Steel

EAN13: 8017709174378

Exclusive professional style

Sturdy American control knobs

4" Polished stainless steel backsplash

**MULTIFUNCTION ELECTRIC OVEN:**

8 cooking modes

Electronic clock with program feature

Air cooled double glazed removable door

"Ever-clean" enamelled oven interior

4 Shelf positions

2 x Oven lights

Oven capacity: 4.4 Cu. Ft

Bake element: 2000W at 240V

Broil element: 3300W at 240V

Convection element: 3700W at 240V

**GAS RANGE TOP:**

Heavy duty cast iron grates

Full width grates

Sealed burners

Automatic electronic ignition

Safety valves

LP Gas conversion kit included

**5 GAS BURNERS:**

Front right: 3,500 BTU

Back right: 6,500 BTU

Center: 12,000 BTU

Front left: 9,000 BTU

Back left: 6,500 BTU

**OPERATION**

Connected load nominal power 240-120V

Amp supply 15 Amp

**ACCESSORIES INCLUDED:**



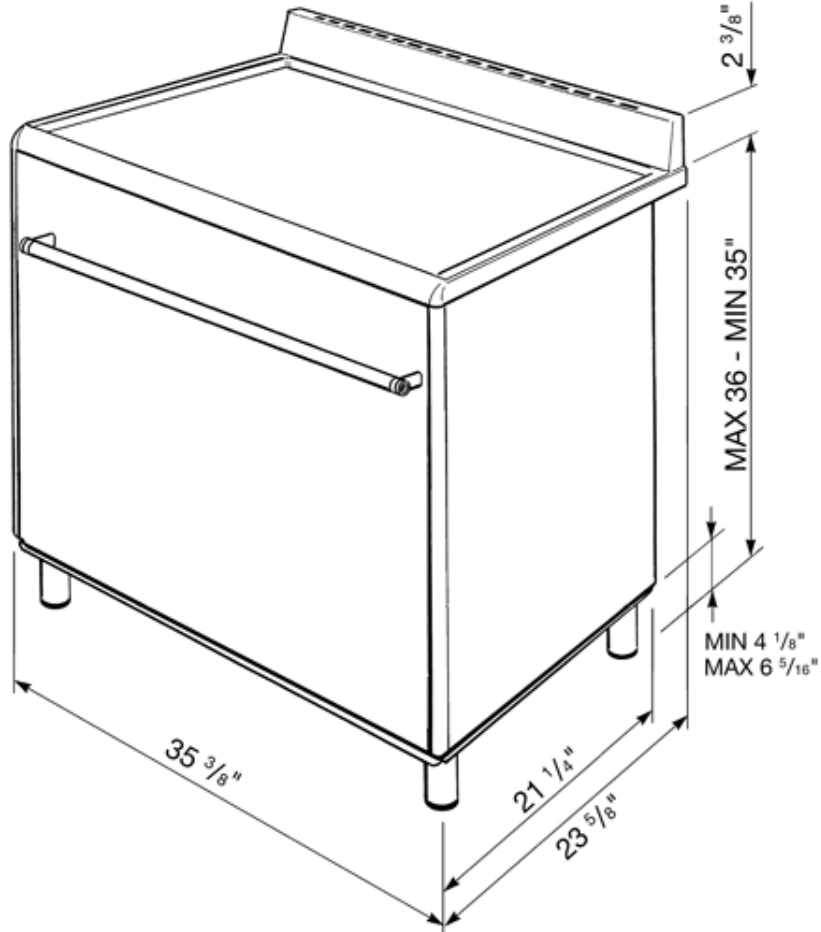
- 1 Baking tray
- 2 Chrome shelves
- 1 Moka ring

**SMEG U.S.A. INC.  
A&D BUILDING  
150 EAST 58th STREET, 7th FLOOR  
NEW YORK, NY, 10155  
Tel. +1 212 265 5378  
Fax +1 212 265 5945**



# S9GMXU

36"  
stainless steel  
cooktops type: gas  
oven type: electric multifunction



SMEG U.S.A. INC.  
A&D BUILDING  
150 EAST 58th STREET, 7th FLOOR  
NEW YORK, NY, 10155  
Tel. +1 212 265 5378  
Fax +1 212 265 5945