

# ***Ice-O-Matic***<sup>®</sup>

**SERVICE PARTS MANUAL  
ICE ONLY DISPENSERS  
MODELS-IOD150, IOD200 AND IOD250**



Ice-O-Matic  
11100 East 45th Ave  
Denver, Colorado 80239  
Part Number 9081306-01

Date 1/09



# **IOD150, IOD200, IOD250 Dispenser**

This parts list contains the service parts available for the IOD150-200-250 dispensers

Check the model number on the data plate and refer to the correct listing for the specific component.

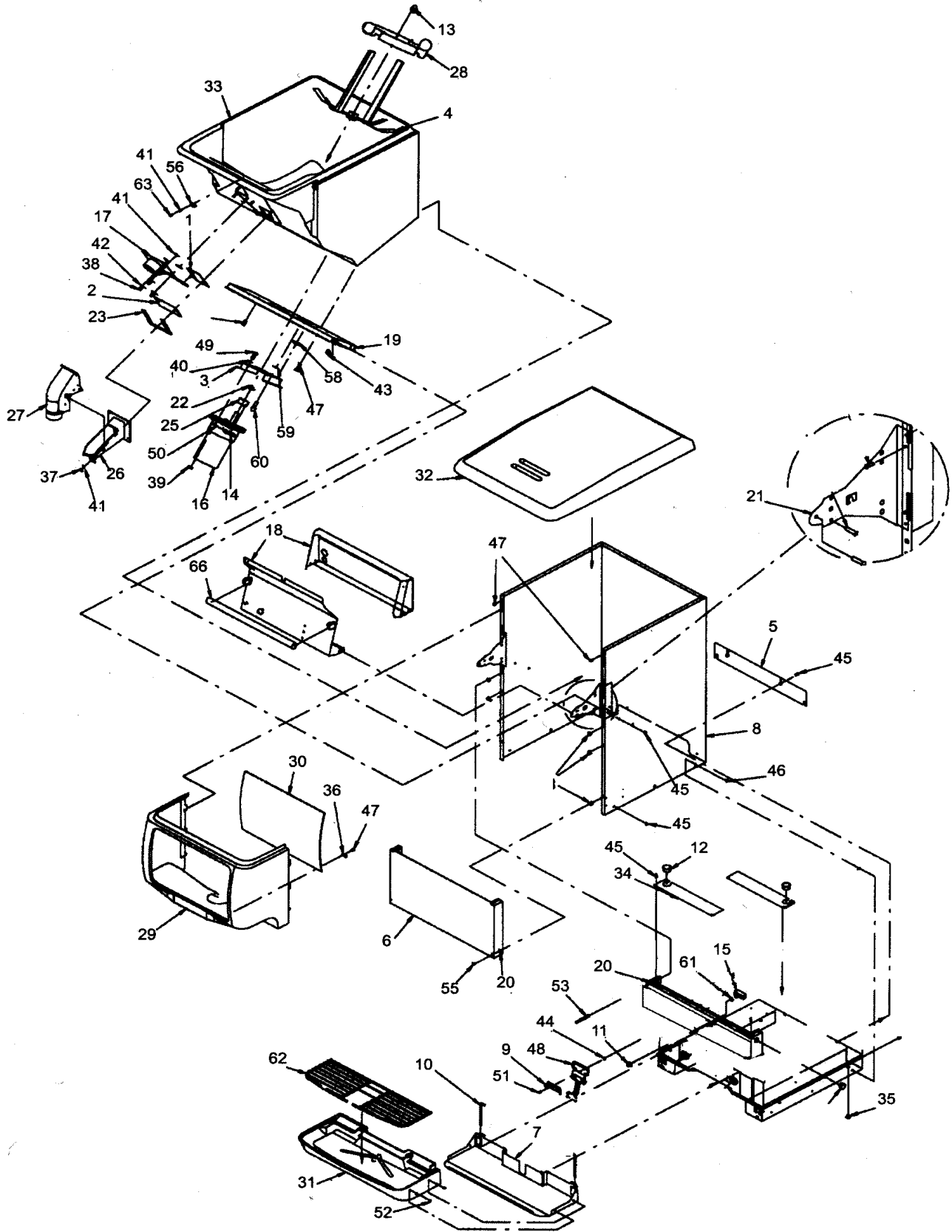
Check carefully that the correct part is identified and ordered.

<b>Table of Contents</b>	<b>Page 1</b>
<b>Cabinet and Dispenser Part Numbers, IOD150</b>	<b>Page 2 - 3</b>
<b>Cabinet and Dispenser Part Numbers, IOD200 and IOD250</b>	<b>Page 4 - 5</b>
<b>Rotary Solenoid</b>	<b>Page 6</b>
<b>Electrical Box, IOD150</b>	<b>Page 7</b>
<b>Electrical Box, IOD200 and IOD250</b>	<b>Page 8</b>
<b>Wiring Diagram</b>	<b>Page 9</b>

Ice-O-Matic  
11100 East 45th Ave.  
Denver Co. 80239  
800-423-3367

The IOD Service manual is available separately, Part number 9081305-01

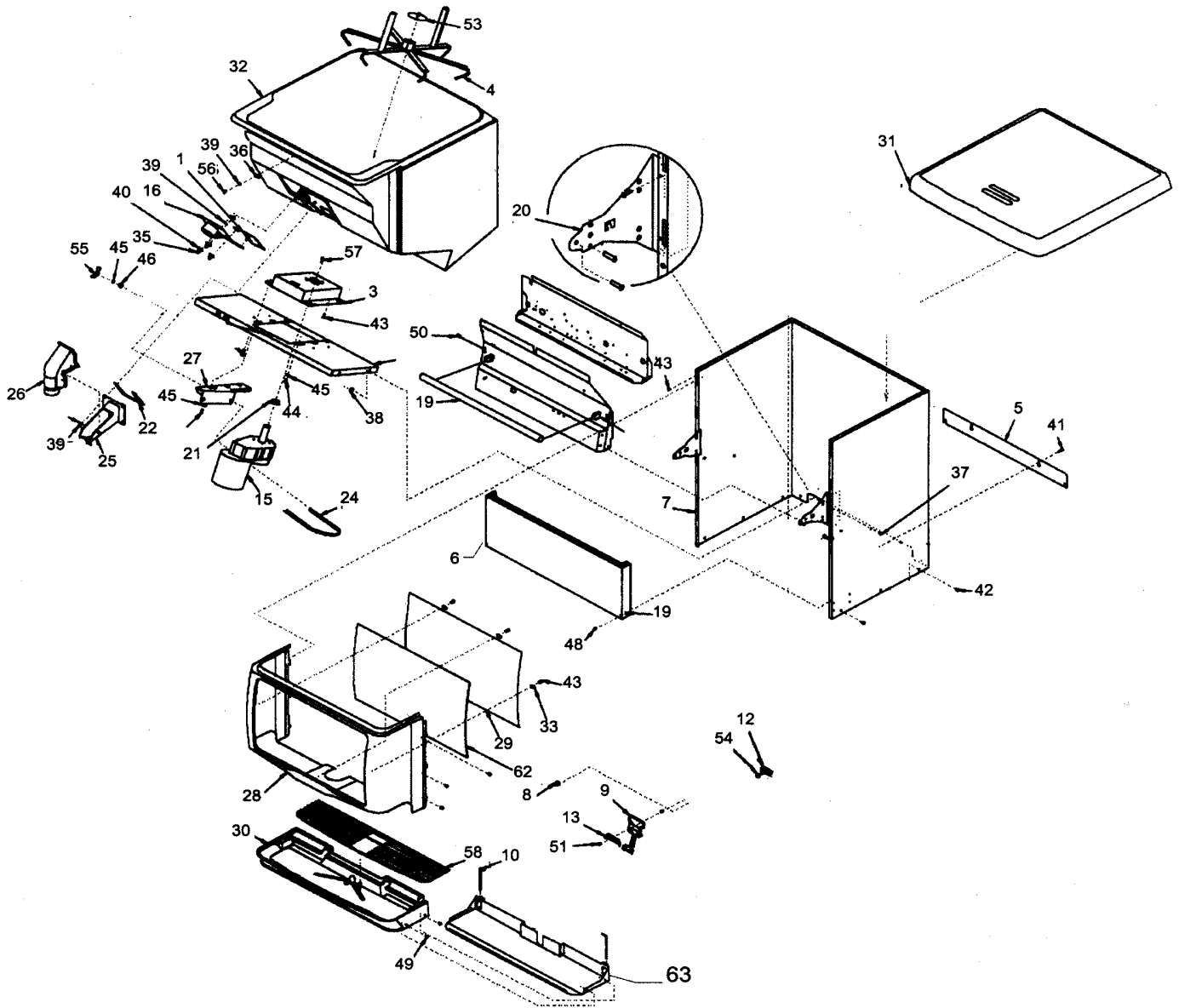
# IOD150, IOD200 and IOD250 Service Parts IOD 150 Cabinet and Dispenser



## IOD150, IOD200 and IOD250 Service Parts IOD 150 Cabinet and Dispenser

Item			Item		
No.	Part No.	Description	No.	Part No.	Description
1	1011342-12	Gate Slide	34	1011342-07	Baffle
2	1011342-144	Gate Restrictor	35	1011342-62	Plug
3	1011342-145	Plate, Motor Mounting	36	1011342-63	Clip, White
4	1011342-06	Agitator Assy	37	1011342-76	Hex Nut, No. 10-32
5	1011342-18	Cover, Rear Wrapper	38	1011342-77	Hex Nut, No. 10-32, Nyloc
6	1011342-141	Lower Panel (F/Drip Tray)	39	1011342-78	Hex Nut, 1/4-20
7	1011342-05	Extension Assy, Drip Tray	40	1011342-79	Washer, .255 I.D.
8	1011342-17	Wrapper (ED 150)	41	1011342-81	Washer, No. 10, .219 I.D.
9	1011342-13	Retainer, Lever, Ice Dispense	42	1011342-83	Washer, .218 I.D.
10	1011342-02	Pin, Drip Tray Mounting	43	1011342-85	Hex Nut, No. 8-32
11	1011342-29	Boot, Switch	44	1011342-86	Insert, Threaded, No. 8-32
12	1011342-49	Snap Bushing	45	1011342-89	Machine Screw, Phil
13	1011342-03	Retainer, Agitator	46	1011342-90	Machine Screw, Phil
14	1011342-25	Agitator Motor Heater, 120 V	47	1011342-91	Sheet Metal Screw, Phil
15	1011342-26	Dispense Switch	48	1011342-08	Lever, Cup Dispense
16	1011342-133	Agitator Motor, 120 Volt	49	1011342-93	Machine Screw, Phil Rd Hd,
17	1011342-38	Solenoid Assembly, 120 Volt	50	1011342-94	Spring, Motor Heater
18	1011342-128	Electrical Box Ass'y, 120 V	51	1011342-140	Thread Forming Screw, Phil
19	1011342-16	Bracket, Motor Mounting	52	1011342-149	Clip, Push On
20	1011342-103	Washer, Captivating No. 8	53	1011342-95	Machine Screw, Phil
21	1011342-115	Hinge, Gusset	54	1011342-96	Hose Clamp, Worm
22	1011342-53	Seal, Agitator Motor Shaft	*55	1011342-101	Machine Screw, Phil
23	1011342-54	Gasket, Gate	56	1011342-74	Clip, Black
*24	1011342-55	Plug (120 Volt Models Only)	*57	1011342-104	Leg
25	1011342-57	Gasket, Motor Shaft	58	1011342-98	Receptacle, 1/4 Turn
26	1011342-139	Ice Chute	59	1011342-99	Retainer, 1/4 Turn
27	1011342-69	Cover, Ice Chute	60	1011342-100	Stud Wing Head, 1/4 Turn
28	1011342-73	Agitator Disk	61	1011342-97	Spacer, Switch
29	1011342-11	Merchandiser, S.S. (IOD 150)	62	1011342-150	Cup Rest
29	1011342-64	Merchandiser, <b>Black</b> (IOD 150)	63	1011342-111	Shoulder Screw, No. 8-32
30	1011342-58	Panel, Plexiglass, Inner	*64	1011342-51	Adapter, 1" Barb x 3/4 MPT
31	1011342-72	Drip Tray, <b>Black</b> , Insulated	*65	1011342-50	Adapter, 3/4 Soc x 3/4 FPT
32	1011342-68	Lid, Dispenser, <b>Black</b>	66	1011342-35	Bulb, 18" daylight
33	1011342-56	Hopper Assy., Foamed	67	1011342-102	Graphic IOD150 (Not Shown)
			*		Not shown

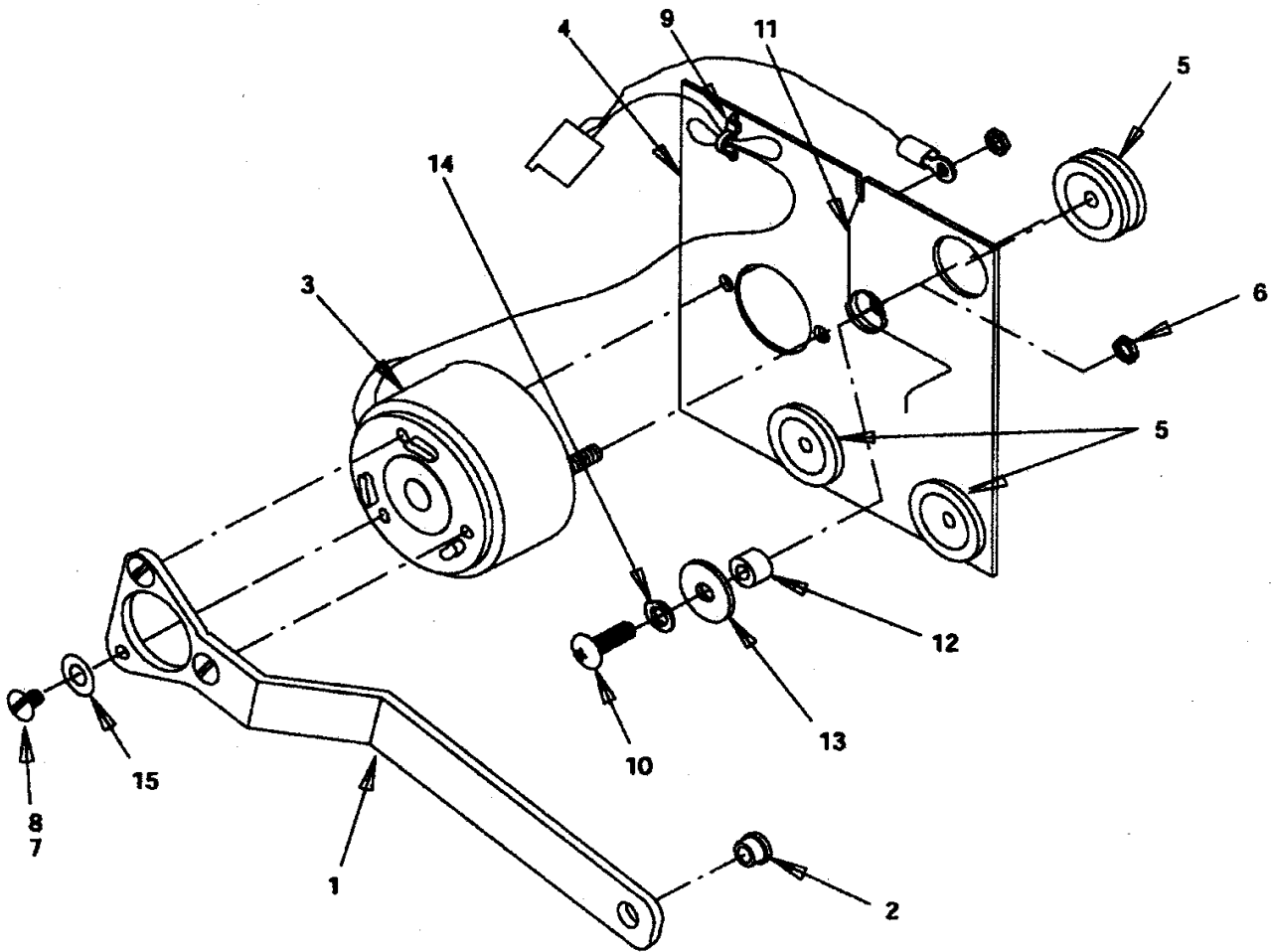
# IOD150, IOD200 and IOD250 Service Parts Cabinet and Dispenser Parts, IOD200 and IOD 250



## IOD150, IOD200 and IOD250 Service Parts IOD 200 and IOD250 Cabinet and Dispenser

Item			Item		
No.	Part No.	Description	No.	Part No.	Description
1	1011342-12	Slide, Gate	34	1011342-76	Hex Nut, No. 10-32
*2	1011342-144	Restrictor, Gate	35	1011342-77	Hex Nut, No. 10-32, Nyloc
3	1011342-146	Plate, Motor Mount	36	1011342-74	Tab, Retaining
4	1011342-22	Agitator	37	1011342-92	Screw, No. 10-32 By 3/8-In.
5	1011342-21	Cover, Rear Wrapper	38	1011342-75	Hex Nut, No. 10-32, Keps
6	1011342-142	Panel, Lower Front	39	1011342-143	Washer, No. 10
7	1011342-20	Cabinet	40	1011342-83	Washer,
8	1011342-29	Boot, Switch	41	1011342-89	Screw, No. 8-32 By 3/8-In.
9	1011342-08	Dispense Lever, Short	42	1011342-90	Screw, No. 8-32 By 1/2-In.
10	1011342-02	Pin, Drip Tray	43	1011342-91	Screw, No. 8 By 1/2-In. Long
*11	1011342-25	Agitator Motor Heater 115 V	44	1011342-107	Screw, 3/8-16 By 3/4-In. Long
12	1011342-26	Dispense Switch	45	1011342-84	Washer
13	1011342-13	Retainer, Ice Dispense lever	46	1011342-110	Washer,
14	1011342-33	Bulb, Florescent	47	1011342-94	Spring, Motor Heater
15	1011342-41	Agitator Motor 120 Volt	48	1011342-101	Screw, No. 8-32 By 1 1/8-In.
16	1011342-38	Solenoid Ass'y 120 Volt	49	1011342-149	Clip, Push-on
17	1011342-125	Elec Box Ass'y, 120V IOD 200	50	1011342-121	Brace, Reflector
	1011342-126	Elec Box Ass'y, 120V IOD 250	51	1011342-140	Sheet Mtl Screw, #10 x 1/2.
18	1011342-19	Bracket, Motor Mount	*52	1011342-104	Leg
19	1011342-103	Washer, Captivating No. 8	53	1011342-03	Retainer, Agitator
20	1011342-115	Hinge Gusset	54	1011342-97	Spacer, Switch
21	1011342-70	Seal, Motor	55	1011342-109	Wing Nut, 3/8-16
22	1011342-54	Gasket, Gate	56	1011342-111	Shoulder Screw, No. 8-32
*23	1011342-55	Plug	57	1011342-106	Shoulder Screw, 1/4-20
24	1011342-105	Strap, Motor	58	1011342-108	Cup Rest
25	1011342-139	Ice Chute	*59	1011342-51	Adapter, 1-In. Barb By 3/4 MPT (For Drip Tray Drain)
26	1011342-69	Ice Chute Cover	*60	1011342-50	Adapter, 3/4 Soc By 3/4 FPT (For Drip Tray Drain)
27	1011342-04	Motor Mount	*61	1011342-96	Hose Clamp (For Drip Tray Drain)
28	1011342-66	Merchandiser, <b>Black</b> (IOD250)	62	1011342-151	Graphic, IOD200
	1011342-65	Merchandiser, <b>Black</b> , (IOD200)	1011342-152	Graphic, IOD250	
	1011342-09	Merchandiser, S.S., (IOD250)	63	1011342-122	Drip tray extension
	1011342-10	Merchandiser, S.S., (IOD200)	*		Not shown
29	1011342-60	Panel, Inner			
30	1011342-71	Drip Tray, <b>Black</b> , Insulated			
31	1011342-67	Lid, Dispenser, <b>Black</b>			
32	1011342-61	Hopper Ass'y, Insul (ID250)			
	1011342-59	Hopper Ass'y, Insul (ID200)			
33	1011342-63	Tab, Retaining			

# IOD150, IOD200 and IOD250 Service Parts Rotary Solenoid



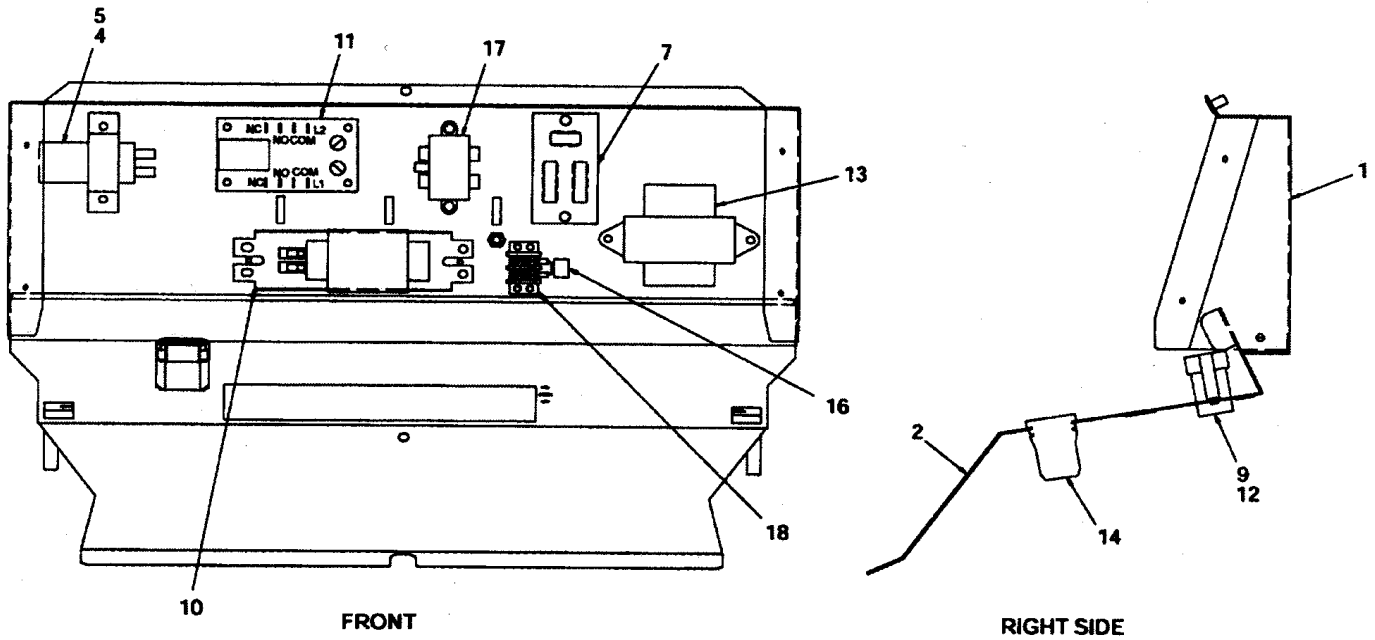
## Item

No	Part Number	Description
1	1011342-15	Arm, Gate Lift
2	1011342-48	Bearing, Gate Arm
3	1011342-39	Solenoid, 120 Volts
	1011342-42	Solenoid, 220-240 Volts
4	1011342-14	Plate, Solenoid Mounting
5	1011342-47	Isolator
6	1011342-75	Hex Nut, No. 10-32
7		Locktite
8	1011342-87	Screw, No. 8-32 By 1/4-In. Long
9	1011342-46	Tie Cable
10	1011342-88	Screw, No. 8-32 By 5/8-In. Long
11	1011342-102	Spring, Solenoid Arm
12	1011342-52	Spacer
13	1011342-83	Washer, .218 I.D. By .875 O.D.
14	1011342-82	Lockwasher, No. 10
15	1011342-80	Flatwasher, No. 8



# IOD150, IOD200 and IOD250 Service Parts

## Electrical Box IOD150



### Item

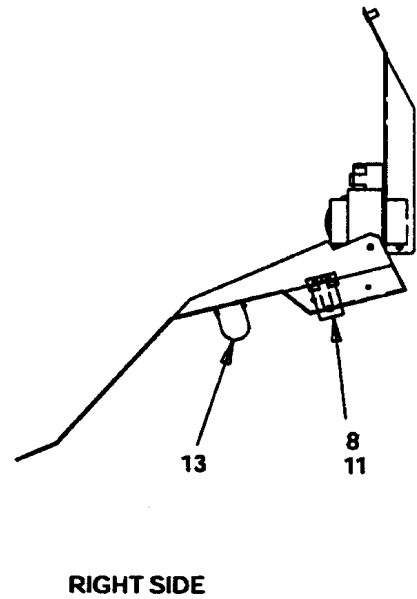
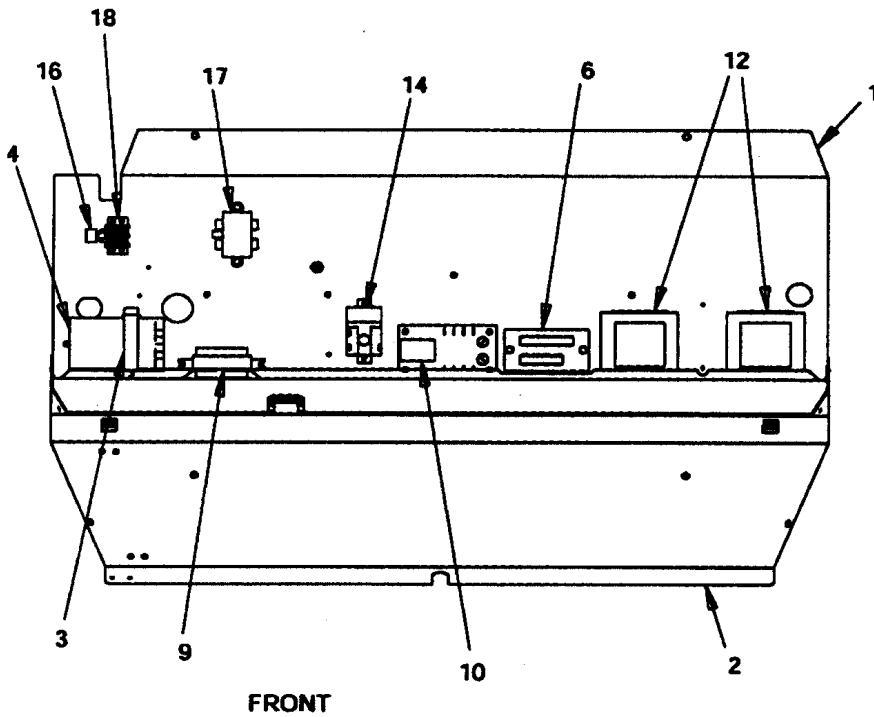
No	Part number	Description
1	1011342-113	Electrical Box (IOD 150)
2	1011342-114	Reflector, Panel (IOD 150)
3	N/A	N/A
4	1011342-23	Clamp, Capacitor, 120 Volts
5	1011342-24	Capacitor, 120 Volt
6	N/A	N/A
7	1011342-30	Terminal Board
8	N/A	N/A
9	1011342-31	Starter
10	1011342-32	Ballast, 120 Volt
11	1011342-138	Timer, Agitation, 120 Volt
12	1011342-124	Socket, Starter
13	1011342-36	Transformer, 120 Volts
14	1011342-123	Lampholder

### Not Shown:

1011342-40 Relay, Start, 120 Volts

# IOD150, IOD200 and IOD250 Service Parts

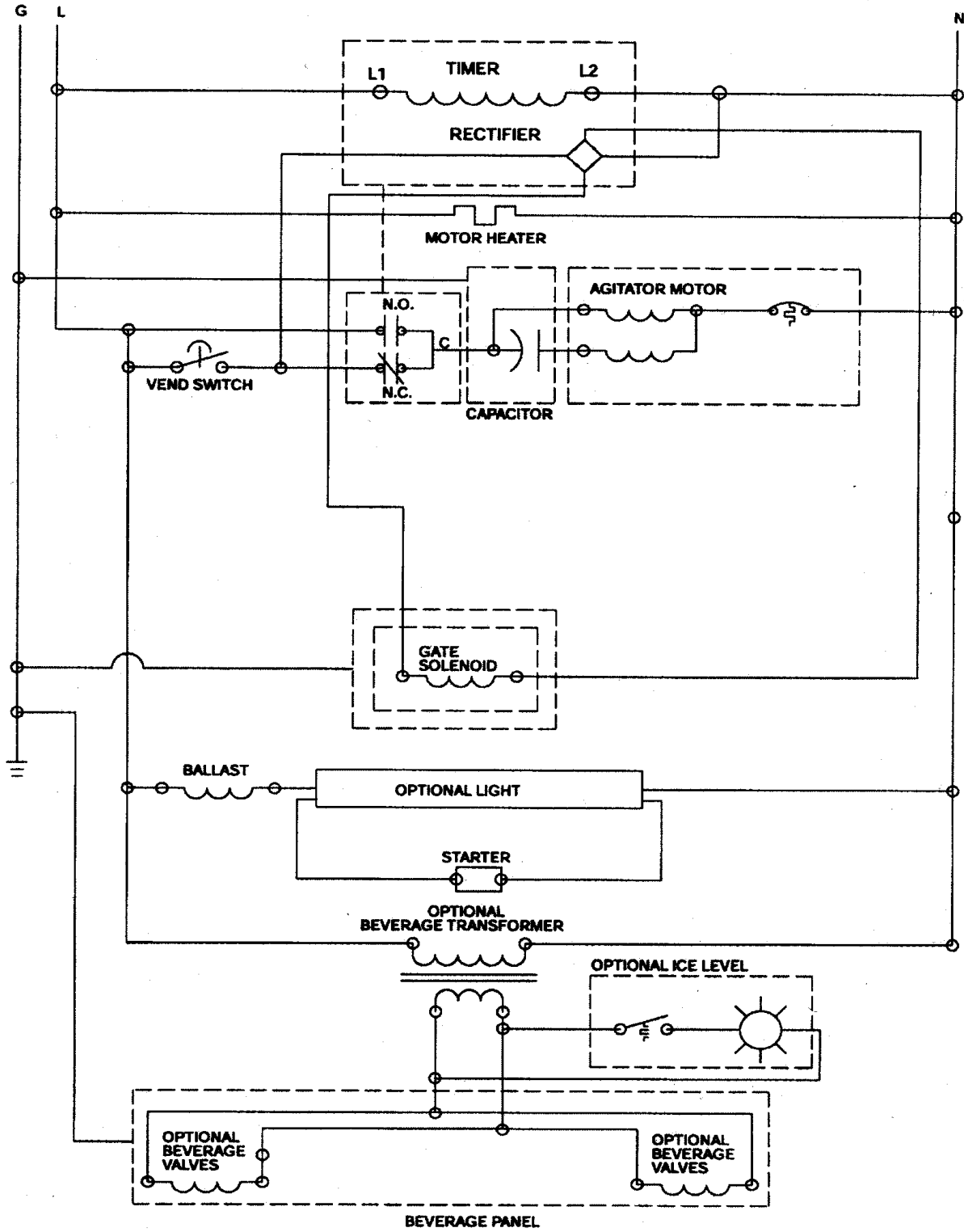
## Electrical Box IOD200 and IOD250



Item No	Part number	Description
1	1011342-119	Electrical Box (IOD250)
	1011342-117	Electrical Box (IOD200)
2	1011342-120	Reflector Panel (IOD250)
	1011342-116	Reflector Panel (IOD200)
3	1011342-118	Clamp, Capacitor
4	1011342-148	Capacitor, Agitator Motor
5	1011342-28	Power Cord, 120 Volts
6	1011342-27	Terminal Board, 120 Volts
7	N/A	Not Used
8	1011342-31	Starter
9	1011342-32	Ballast, 120 Volts
10	1011342-138	Agitation Timer, 120 Volts

Item No	Part number	Description
11	1011342-124	Socket, Starter
12	1011342-36	Transformer, 120 Volts
13	1011342-123	Lampholder
14	1011342-40	Relay, Start, 120 Volts
15	N/A	Not Used
16	N/A	Not Used
17	N/A	Not Used
18	N/A	Not Used

# IOD150, IOD200 and IOD250 Service Parts Schematic Diagram



**FIGURE 8. WIRING SCHEMATIC (120 V UNIT)**