



ICEO400 ON IOD250

Features

- Only 30" (762 mm) wide.
- Stores 250 lbs (113 kg) of ice.
- Direct Dispense – ensures that ice hits the glass every time.
- Quick Stop – prevents ice overflow and waste.
- Perfect for cube or Pearl Ice® ice makers.
- Power Clean allows access to the bin for easy cleaning without moving the ice machine. Interlock safety switch turns off machine agitation when top-front access panel is removed.
- 1" (25 mm) foam insulation for maximum ice preservation—no more quick-melting ice.
- Constructed from corrosion-resistant stainless steel and fingerprint-proof plastic.
- Auto Rotate – turns the ice for four seconds every hour to consistently provide more dispensable ice.
- Great for hard water, food safety and tight spaces.
- User friendly push-to-dispense operation.

Options & Accessories

Item Number	Description	Approximate Shipping Weight lbs (kg)
KWGFID	Water Glass Filler Kit for 30" IOD	2 (1)
KBT25O22	Adapter and Bin Level Kit for 22" cubers and GEM ice makers on 30" IOD	24 (11)
KBT25O30	Adapter and Bin Level for 30" cubers on 30" IOD	24 (11)
KGEMDIV & KEBIOD	Required for GEM on 30" IOD	3 (1)

Ice Form



CUBE

FULL CUBE DIMENSIONS

W x D x H (in.)	7/8 x 7/8 x 7/8
W x D x H (mm)	22 x 22 x 22

HALF CUBE DIMENSIONS

W x D x H (in.)	3/8 x 7/8 x 7/8
W x D x H (mm)	10 x 22 x 22

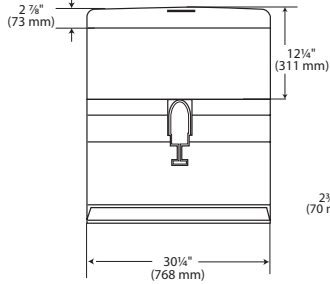


PEARL ICE

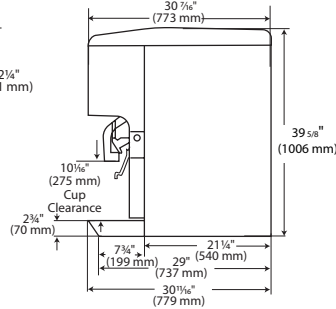
ICE PRODUCTION FOR OPTIONAL CUBE OR PEARL ICE MAKERS*							
Model No.	ICE0250	ICE0400	ICE0500	ICE0606	GEMO450	GEMO650	GEMO956
Air-Cooled	336 (153)	505 (230)	600 (273)	652 (296)	464 (210)	740 (336)	1,150 (522)
Water-Cooled	333 (151)	496 (225)	596 (271)	619 (281)	508 (230)	770 (410)	1,200 (544)
Remote-Cooled	N/A	N/A	567 (258)	605 (275)	N/A	770 (410)	1,200 (544)
Voltage Char.	115/60/1	115/60/1	115/60/1	208-230/60/1	115/60/1	115/60/1	208-230/60/1

Tested at 70°F Air/50°F Water.
*Pounds (Kilograms) per 24 hours

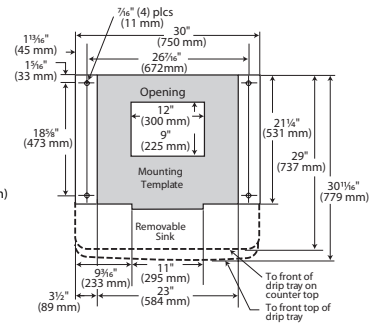
*All specifications and performance data are subject to normal manufacturing variances.



Front



Side



Recommended counter opening size 9" (229 mm) x 12" (305 mm) for utilities and tubing. Opening can be located anywhere within the shaded area.

Counter Opening

Operating Requirements

	MINIMUM	MAXIMUM
	60 Hz	
Ambient Temp. Range Air	50°F (10°C)	100°F (38°C)
Water Temp.	40°F (4.4°C)	
Water Pressure	20 PSIG (1.4 BAR)	60 PSIG (4.1 BAR)

Dimensions

ALL MODELS	
W x D x H (in.)	30.25 x 30.69 x 39.62
W x D x H (mm)	768 x 779 x 1006

Specifications

Model Number	Dispenser Operation	Bin Storage lbs (kg)	Voltage Characteristics	No. of Wires	Min. Circuit Ampacity	Maximum Fuse Size	Approximate Shipping Weight lbs (kg)
IOD250	Push Bar	250 (113)	115/60/1	Cord	3.5	15	197 (89)

NOTES:

Number of Wires: 3 (including ground)
 Approx. Shipping Weight lbs (kg): 197 (89)
 Cordset included

All specifications and performance data are subject to normal manufacturing variances.

Ice-O-Matic's[®] machines are not designed for outdoor installations. Ice-O-Matic[®] remote condensers are designed for outdoor installations.

Machine requires voltage indicated on rating name plate. Failures caused by improper voltage are not considered factory defects. Extended periods of operation at temperature exceeding limitations constitutes misuse under the terms of Ice-O-Matic[®] Manufacturer's Limited Warranty, resulting in a loss of warranty coverage. Specifications and design are subject to change without notice.