

# 27" Double Wall Oven 800 Series - Stainless Steel HBN8651UC



## Features and Benefits

### Design

- Touch control with SteelTouch™ Buttons for Easier Operation of the Oven

### Performance

- 12 Specialized Cooking Modes in Upper Cavity - Gourmet Cooking Made Easy
- Custom Cooking Modes Upper Cavity: Pizza, Pie, Warm and Proof
- Thermal Cooking with Bake, Broil, Roast and Warm in Lower Cavity
- Genuine European Convection in Upper and Thermal Cooking in the Lower Cavity
- Temperature Conversion for Convection Cooking
- Meat Probe Takes Guesswork out of Cooking
- Fast Preheat Reduces Preheat Time

### Efficiency

- EcoClean™ 2-Hour Self-Clean Cycle

### Convenience

- Two Oven Lights in the Upper Cavity and Two Lights in the Lower Cavity to Better Monitor the Cooking Progress
- Timer with Cook Time and Delay Start Function
- Extra Large Door Window for Easy Monitoring of Cooking Process
- Star-K certified. 100°-450° F

### Capacity

- Large Capacity at 4.1 Cu Ft.
- Recessed 8 Pass Broil Element for Increased Capacity and Safety

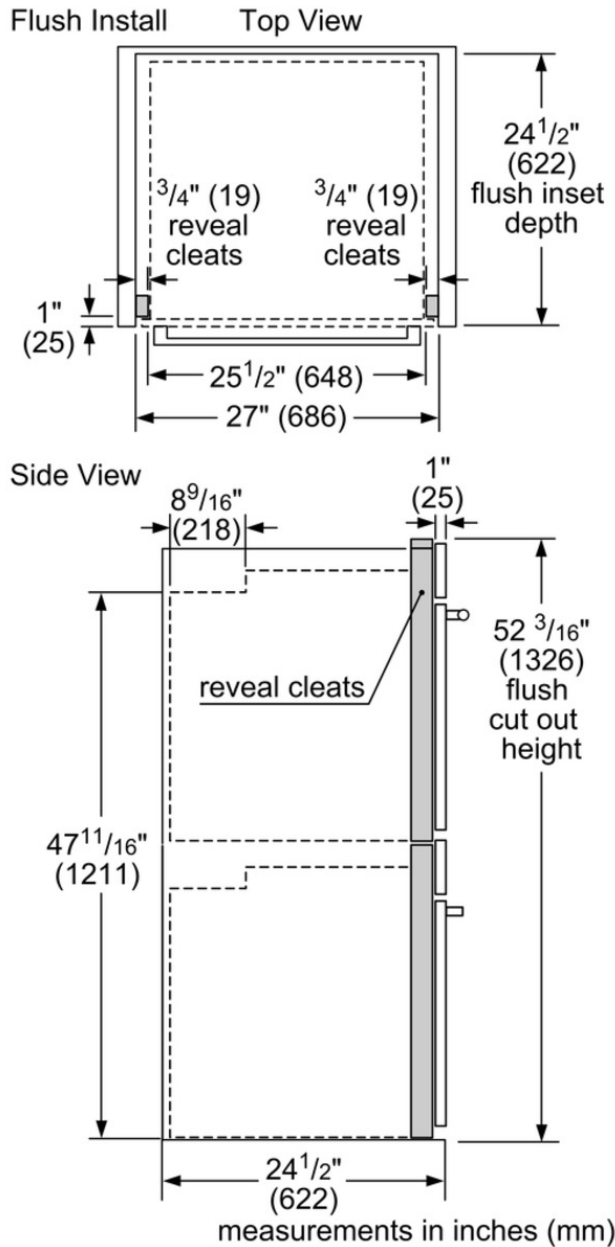
Notes: All height, width and depth dimensions are shown in inches. \*Please refer to installation instructions prior to making cutout. BSH reserves the absolute and unrestricted right to change product materials and specifications, at any time, without notice. Consult the product's installation instructions for final dimensional data and other details. Applicable product warranty can be found in a accompanying product literature or you may contact your account manager for further details.

For more information on our entire line of products, go to [boschappliances.com](http://boschappliances.com) or call 1-800-944-2904.

Copyright ©2014 BSH Home Appliances Corporation. All rights reserved. Bosch is a registered trademark of Robert Bosch GmbH.

Litho Date: 03/2014

# 27" Double Wall Oven 800 Series - Stainless Steel HBN8651UC



## Features

Cooking method primary cavity	3rd element convection, Convection Bake, Convection Broil, Convection Roast, Conventional heat, Dough proving setting, Half width variable grill, Pizza setting, Top heating, 1/3 bottom heat., warming
Cooking method secondary cavity	Top/bottom heating, Top heating, 1/3 bottom heat., Variable small-area grill, Warming
Cleaning system - primary cavity	, Self Clean
Number of interior lights	2
Electronic timer	programmable, Switch-off
Included accessories	3 x Oven racks / upper, 2 x Oven racks / lower, 1 x Temperature probe / upper
Bake Element Wattages primary cavity (W)	2400
Broil Element Wattages primary cavity (W)	3800
Convection Element Wattages primary cavity (W)	2000
Microwave Wattages (W)	

## Technical Specification

UPC code	825225907060
Product color	Stainless steel
Alternative colors available	
Energy source	Electric
Watts (W)	8600
Current (A)	40
Volts (V)	240/208
Frequency (Hz)	60
Approval certificates	CSA
Power Cord Length	50"
Plug type	fixed connection, no plug
Required cutout size (HxWxD) (in)	49 3/4" - 51 1/2" x 25 1/2" x 23 1/2"
Overall appliance dimensions (HxWxD) (in)	52 1/16" x 26 3/4" x 23 1/2"
Product packaging dimensions (HxWxD) (in)	53 7/8" x 34" x 31 1/2"
Net weight (lbs)	294
Gross weight (lbs)	328

Notes: All height, width and depth dimensions are shown in inches. \*Please refer to installation instructions prior to making cutout. BSH reserves the absolute and unrestricted right to change product materials and specifications, at any time, without notice. Consult the product's installation instructions for final dimensional data and other details. Applicable product warranty can be found in a accompanying product literature or you may contact your account manager for further details.

For more information on our entire line of products, go to [boschappliances.com](http://boschappliances.com) or call 1-800-944-2904.  
Copyright ©2014 BSH Home Appliances Corporation. All rights reserved. Bosch is a registered trademark of Robert Bosch GmbH.

Litho Date: 03/2014