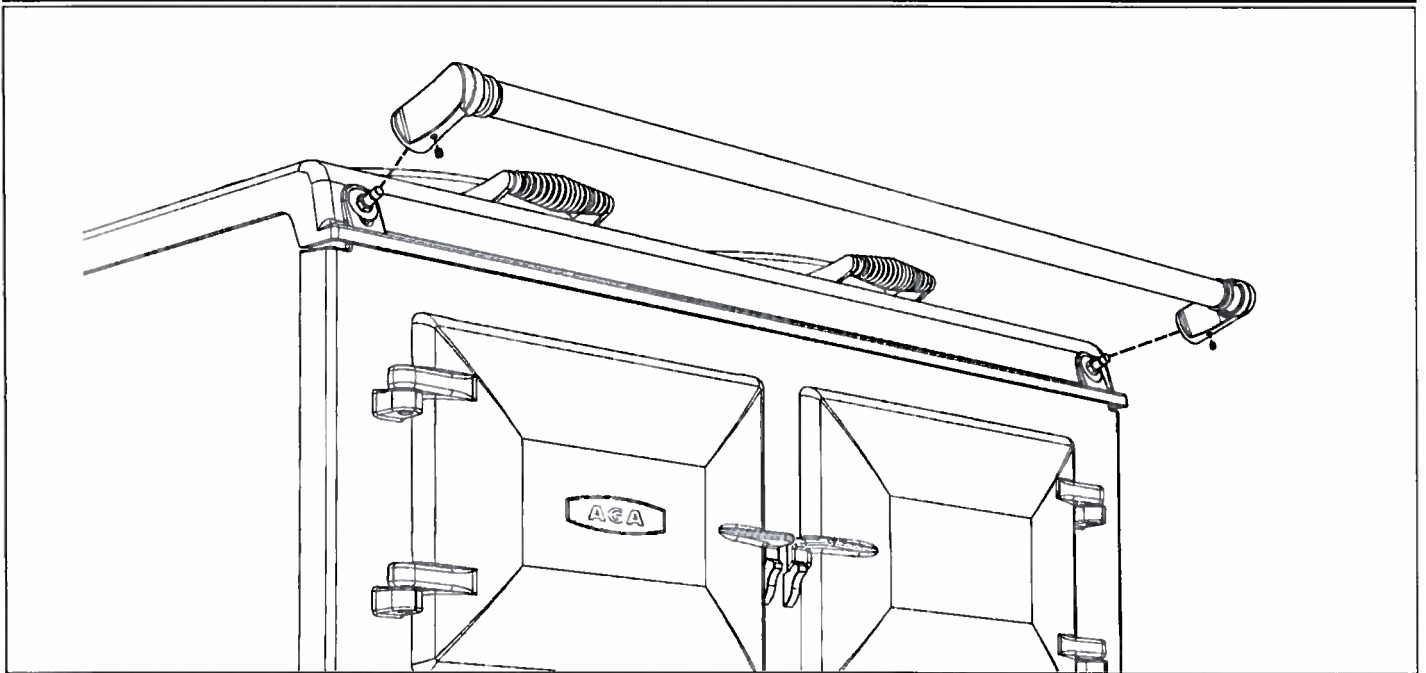


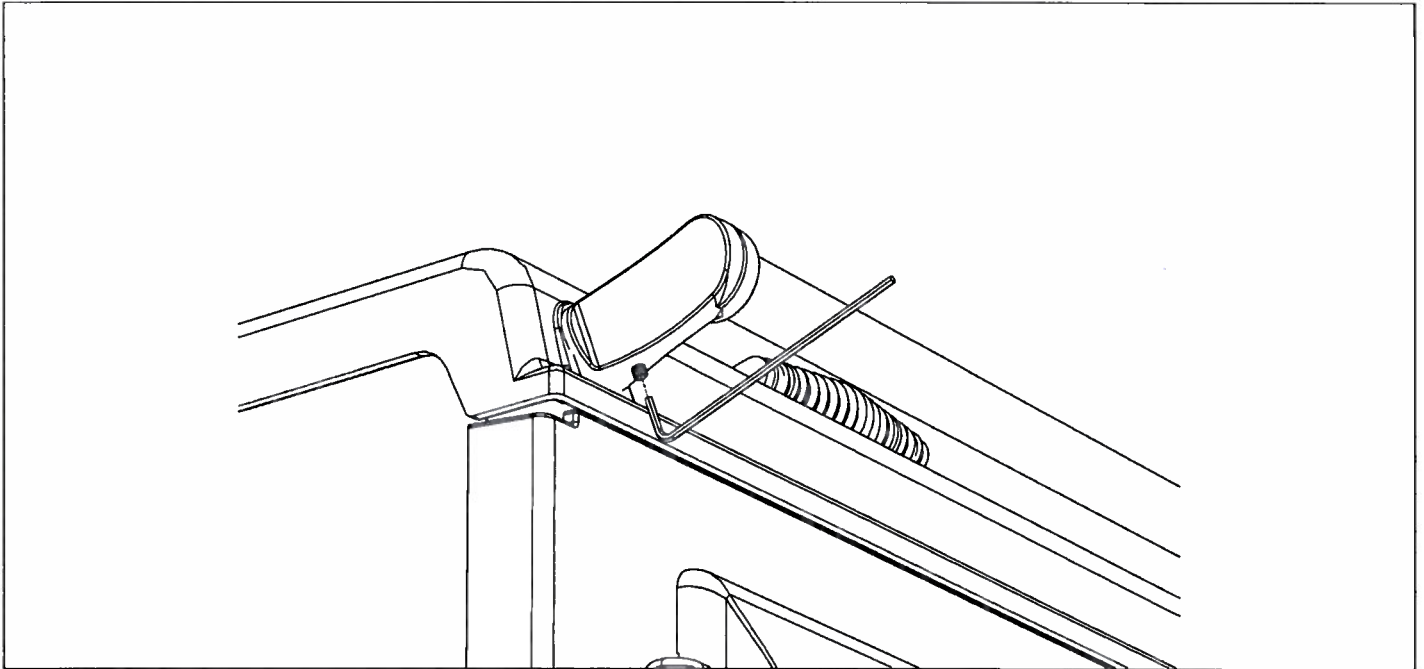


AGA TC3 (USA/CAN) HANDRAIL ASSEMBLY GUIDE



Before commencing fitment of the handrail to the AGA it must first be assembled.

Selecting the two vinyl end caps these must be positioned onto each end of the handrail. Next fit the handrail end brackets over the vinyl end caps, using a rotational motion to seat them fully. Once the assembly is complete it can now be slid into place over the handrail fixing studs which are already attached to the AGA top plate.



Once the handrail assembly has been positioned squarely onto the AGA the grub screws located on the underside of each handrail bracket can now be tightened using the 2.5mm allen key provided. This will lock the handrail assembly in place.