

GSD2100/2101V

GE® Built-In Dishwasher

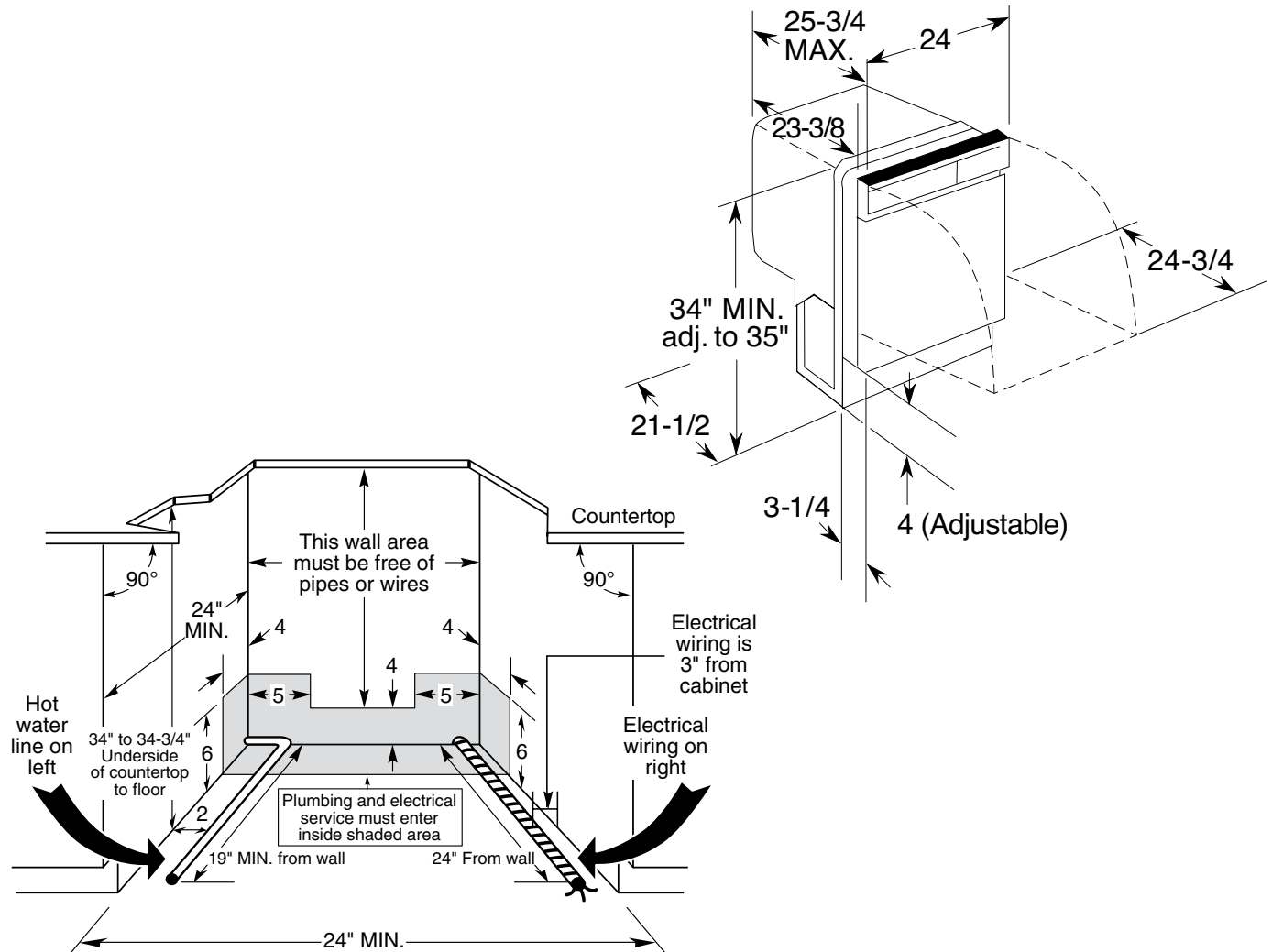
Dimensions and Installation Information (in inches)

Electrical Rating

Voltage AC.....	120
Hertz.....	60
Total connected load amperage.....	6.2
Calrod® heater watts max.....	500

For use on adequately wired 120-volt, 15-amp circuit having 2-wire service with a separate ground wire. This appliance must be grounded for safe operation.

Note: Dishwasher must not be installed more than 10 feet from sink for proper drainage. All plumbing and electrical work must be in accordance with local codes.



For answers to your Monogram®, GE Profile™ or GE® appliance questions, visit our website at geappliances.com or call GE Answer Center® service, 800.626.2000.

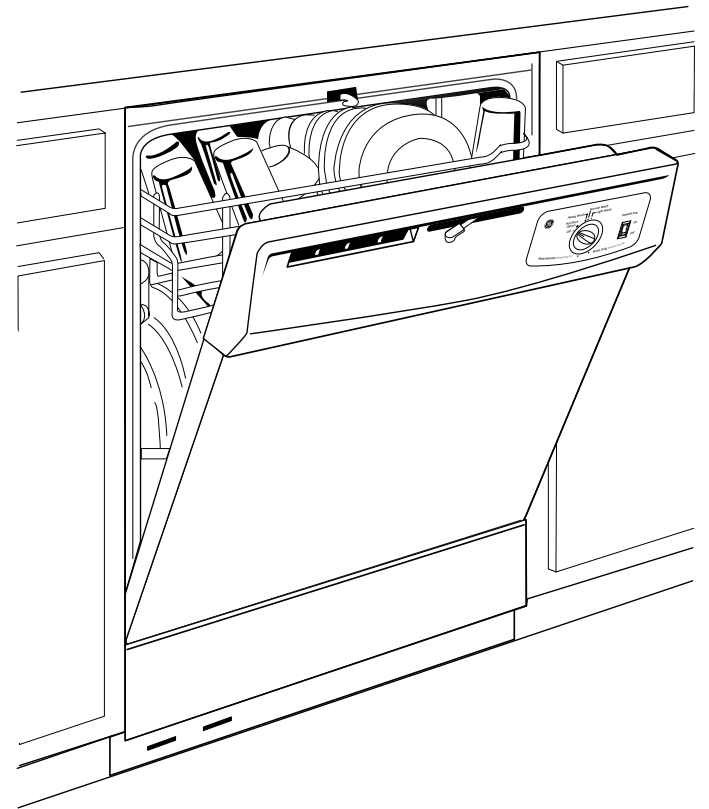


GSD2100/2102V

GE® Built-In Dishwasher

Features and Benefits

- 4-level PowerScrub™ wash system - Powerful wash cleans dishes thoroughly
- Two-stage filtration with ExtraFine™ filter - Extra filtration keeps water clean
- Piranha™ hard food disposer - Grinds food into small particles that are washed away
- HotStart™ option - Provides optimal water temperature for dependable performance
- Short wash - great for quickly washing loads of everyday dishes or glassware
- 64 dBA - motor runs quietly to keep kitchen peaceful
- 5 cycles/2 options - allows you to select the combination that best cleans your dishes
- Up to 12-place setting capacity racking - Provides flexibility to wash a variety of dishes at once
- Model GSD2100VWW - White on white
- Model GSD2100VCC - Bisque on bisque
- Model GSD2100VBB - Black on black
- Model GSD2101VWW - White on white, has power cord attached
- Model GSD2101VBBB - Black on black, has power cord attached



imagination at work