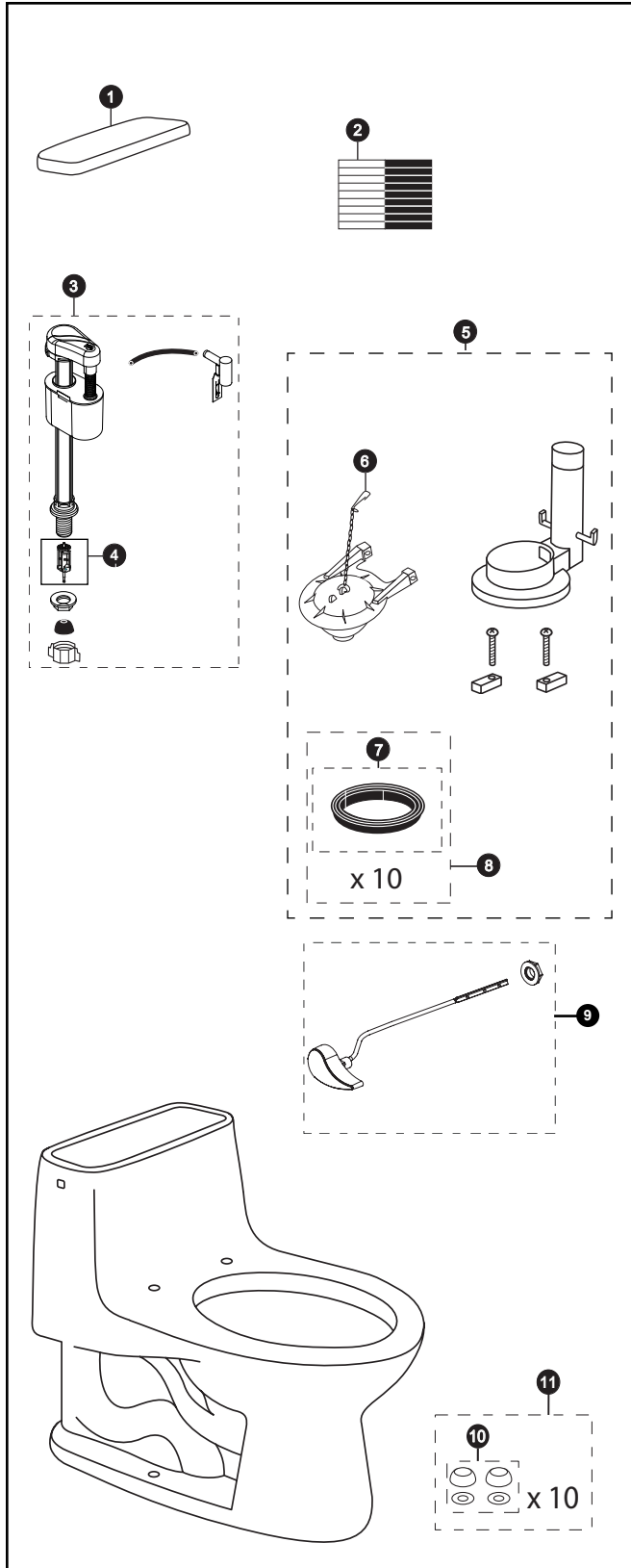


MS854114EG & MS854114ELG

MS854114EG MS854114ELG
CST854EG CST854ELG

Eco Ultramax®
1.28 Gpf Toilet, Elongated,
E-Max®, SanaGloss® 12" Rough-In
(including ADA)



Actual product may differ slightly from illustration

Item	Part	Description
1	TCU854CRE#01	Tank Lid w/ Velcro Tape
	TCU854CRE#03	Tank Lid w/ Velcro Tape
	TCU854CRE#11	Tank Lid w/ Velcro Tape
	TCU854CRE#12	Tank Lid w/ Velcro Tape
	TCU854CRE#51	Tank Lid w/ Velcro Tape
2	THU107	Velcro Tape
3	TSU29A	Fill Valve
4	TSU229	Fill Valve Filter
5	THU251W	Flush Valve Assembly w/ Flapper
6	THU253S	Flapper w/ Chain
7	9BU002E	Flush Valve Gasket (1 Piece)
8	THU097	Flush Valve Gasket (10 Pieces)
9	THU004#01	Trip Lever
	THU004#03	Trip Lever
	THU004#11	Trip Lever
	THU004#12	Trip Lever
	THU004#51	Trip Lever
	THU004#CP	Trip Lever
10	THU098#01	Bolt Cap & Base - Cotton
	THU098#03	Bolt Cap & Base - Bone
	THU098#11	Bolt Cap & Base - Colonial White
	THU098#12	Bolt Cap & Base - Sedona Beige
	THU098#51	Bolt Cap & Base - Ebony
11	THU044S#01	Bolt Cap Set - Cotton
	THU044S#03	Bolt Cap Set - Bone
	THU044S#11	Bolt Cap Set - Colonial White
	THU044S#12	Bolt Cap Set - Sedona Beige
	THU044S#51	Bolt Cap Set - Ebony

Product Number Explanations

One-Piece Toilet

(MS) Toilet & Seat Combination
(854) Toilet Model
(114) Seat Model
(E) E-Max®
(G) SanaGloss®
(L) ADA Compliant

Colors

(#01) Cotton
(#03) Bone
(#11) Colonial White
(#12) Sedona Beige
(#51) Ebony

One-Piece Toilet

(CST) Gravity Type Toilet
(854) Model
(E) E-Max®
(G) SanaGloss®
(L) ADA Compliant

Finishes

#CP - Chrome Plated