



# Double Wall Ovens

FFET2725L S/W/B

27" Electric



## Signature Features

### Ready-Select® Controls

Easily select options or control cooking temperature with our easy-to-use controls.

### Large Capacity

Two large capacity ovens give you room to cook even more at once.

### Even Baking Technology

Our latest technology ensures even baking every time.

### Self-Cleaning

Ovens clean themselves—so you don't have to.

## Product Dimensions

|        |          |
|--------|----------|
| Height | 50-7/16" |
| Width  | 27"      |
| Depth  | 24-1/2"  |

## More Easy-To-Use Features

### Attractive Stainless Steel Exterior<sup>1</sup>

### Vari-Broil™ Option

Allows you to choose between two heat levels.

### Keep Warm

### Timer Lock-Out

### Oven Rack Handles

Oven racks are designed with space for you to easily pull out the racks, even when wearing an oven mitt.

### Extra-Large Windows

Our extra-large oven windows let you easily see what's inside.

### Bright Oven Lighting

Our bright lighting makes it easy to see what's inside.

### Delay Clean

Set the ovens to begin cleaning on your schedule.

### Delay Start

### Timed Cook Option

### Timer Function

### Auto Shut-Off

As an extra safety measure, the oven will automatically shut off after 12 hours.

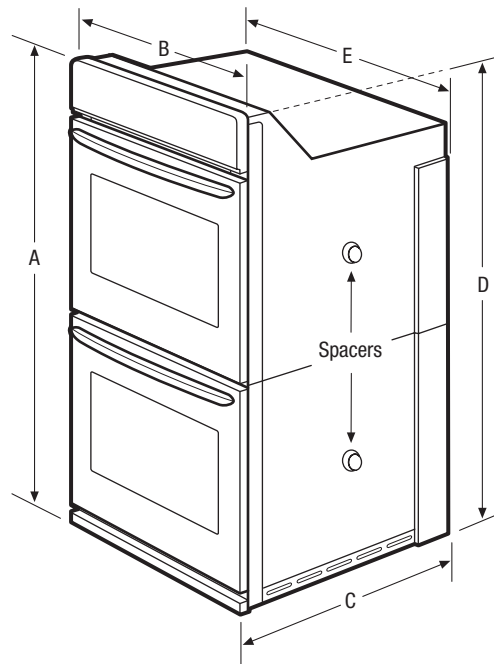
Sabbath Mode (Star-K® Certified)

## Available in:



<sup>1</sup>Select models only.

|   |   |
|---|---|
| <b>Features</b>   |   |
| Oven Control/Timing System                                    | Ready-Select®   |
| Windows   | Extra-Large   |
| Exterior Door Finish  | Stainless Steel (S), Color-Coordinated (W/B)                      |
| Handle Design   | Stainless Steel (S), Color-Coordinated (W/B)                      |
| Oven Cleaning System  | Self Clean  |
| <b>Oven Controls</b>  |   |
| Bake/Broil  | Yes/Variable (400 - 500 °F)                                       |
| Convection Conversion   |   |
| Convection Bake/Broil/Roast                                   |   |
| Quick Bake Convection   |   |
| PowerPlus®/Quick Preheat                                      |   |
| My Favorite   |   |
| Chicken Nugget Button   |   |
| Pizza Button  |   |
| Keep Warm   | Yes   |
| Add-a-Minute  |   |
| Delay Start   | Yes   |
| Self-Clean  | Yes   |
| Rapid/Quick Clean Option                                      |   |
| Delay Clean   | 2, 3, 4 Hours   |
| Kitchen Timer   | Yes   |
| Timed Cook Option   | Yes   |
| Control Lock  | Yes   |
| Auto Oven Shut-Off  | 12 Hours  |
| Oven Lock-Out   | Yes   |
| <b>Upper Oven Features</b>                                    |   |
| Capacity (Cu. Ft.)  | 3.5   |
| Convection System   |   |
| Oven Light  | 1   |
| Hidden Bake Element   |   |
| Rack Configuration  | 2 Handle Racks  |
| Baking System   | Even Baking Technology  |
| Broiling System   | Vari-Broil™   |
| Bake/Broil Element (Watts)                                    | 2,300/3,400   |
| <b>Lower Oven Features</b>                                    |   |
| Capacity (Cu. Ft.)  | 3.5   |
| Convection System   |   |
| Oven Light  | 1   |
| Hidden Bake Element   |   |
| Rack Configuration  | 2 Handle Racks  |
| Baking System   | Even Baking Technology  |
| Broiling System   | Vari-Broil™   |
| Bake/Broil Element (Watts)                                    | 2,300/3,400   |
| <b>Optional Accessories</b>                                   |   |
| 3"-High Bottom Trim - Stainless Steel (S)/White (W)/Black (B) | (S) PN# 903114-901S<br>(W) PN# 903114-901I<br>(B) PN# 903114-901O |
| <b>Certifications</b>   |   |
| A.D.A. Compliant  |   |
| Sabbath Mode (Star-K® Certified)                              | Yes   |
| <b>Specifications</b>   |   |
| Oven Interior (H x W x D)                                     | 16-1/2" x 20-1/2" x 18-1/32"                                      |
| Power Supply Connection Location                              | Left Bottom Rear  |
| Voltage Rating  | 240V/208V/60Hz  |
| Connected Load (kW Rating) @ 240/208 Volts¹                   | 6.8/5.1   |
| Amps @ 240/208 Volts  | 28.3/24.5   |
| Minimum Circuit Required (Amps)                               | 40  |
| Shipping Weight (Approx.)                                     | 275 Lbs.  |



NOTE: For planning purposes only. Always consult local and national electric codes. Refer to Product Installation Guide for detailed installation instructions on the web at [frigidaire.com](http://frigidaire.com).



| Product Dimensions       |          |
|--------------------------|----------|
| A - Height               | 50-7/16" |
| B - Width                | 27"      |
| C - Depth                | 24-1/2"  |
| D - Height (Wrapper)     | 48-5/8"  |
| E - Width (Wrapper)      | 24-5/8"  |
| Depth with Door Open 90° | 44-1/2"  |

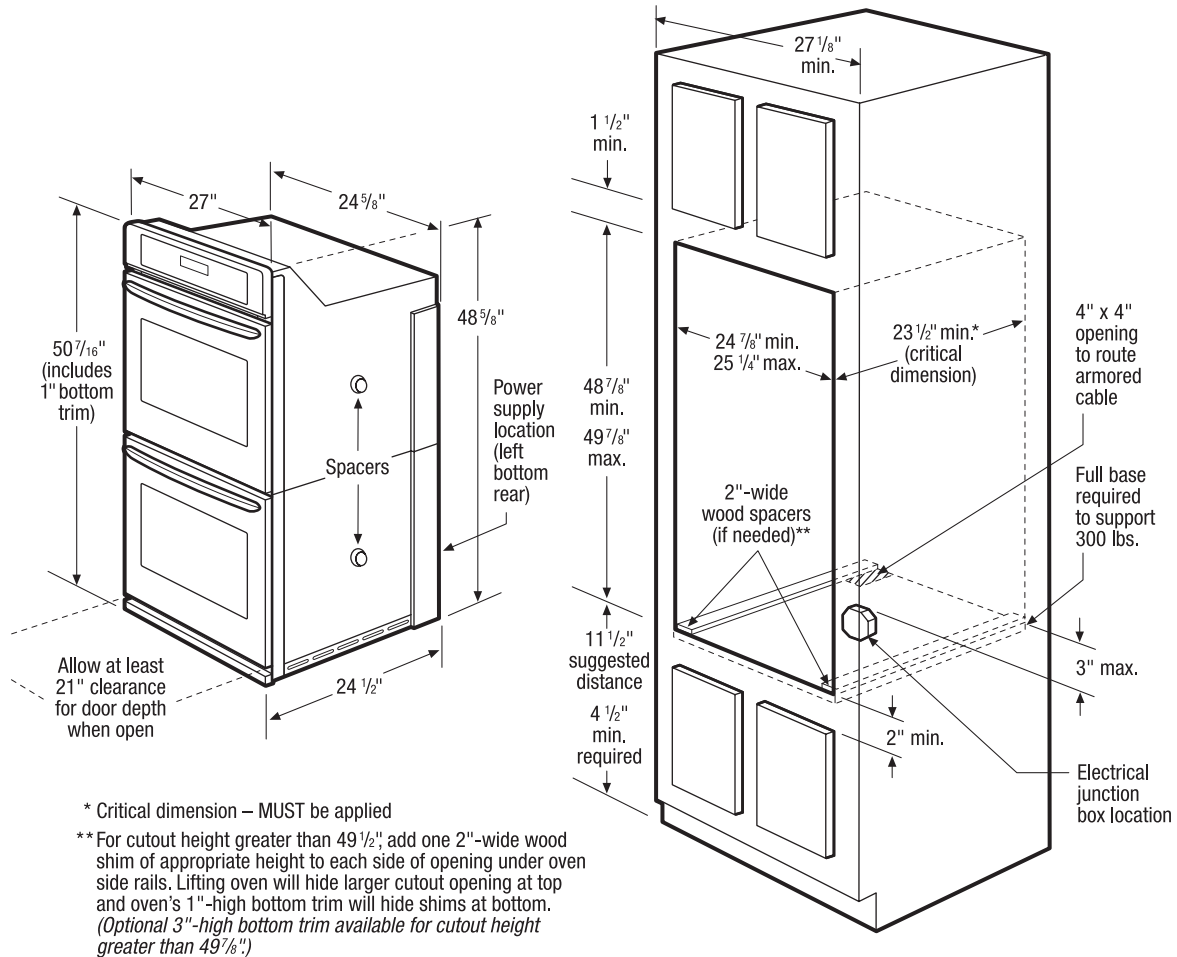
| Cutout Dimensions |         |
|-------------------|---------|
| Height (Min.)     | 48-7/8" |
| Height (Max.)     | 49-7/8" |
| Width (Min.)      | 24-7/8" |
| Width (Max.)      | 25-1/4" |
| Depth (Min.)      | 23-1/2" |

¹Single phase 3- or 4-wire cable, 120 / 240 or 120 / 208 Volt, 60 Hertz AC only electrical supply with ground required on separate circuit fused on both sides of line.

Accessories information available on the web at [frigidaire.com](http://frigidaire.com)

FRIGIDAIRE

USA • 10200 David Taylor Drive • Charlotte, NC 28262 • 1-800-FRIGIDAIRE • [frigidaire.com](http://frigidaire.com)  
 CANADA • 5855 Terry Fox Way • Mississauga, ON L5V 3E4 • 1-800-265-8352 • [frigidaire.ca](http://frigidaire.ca)



**Double Wall Oven Specifications**

- Product Shipping Weight (approx.) - 275 Lbs.
- Single phase 3- or 4-wire cable, 120/240 or 120/208 Volt, 60 Hertz AC only electrical supply with ground required on separate circuit fused on both sides of line.
- Connected Load (kW Rating) @ 240/208 Volts = 6.8/5.1kW
- Amps @ 240/208 Volts = 28.0/25.0 Amps
- Recommended Circuit Breaker - 40 Amps
- Always consult local and national electric codes.
- Minimum 21" clearance for oven door depth when open.
- Suggested distance from floor is 11-1/2". Minimum required distance is 4-1/2".
- Minimum 23-1/2" deep cutout dimension is critical for proper installation, to ensure that oven's faceplate will fit flush against cabinet front.

- To adapt oven to fit cutout height greater than 49-1/2", add one 2"-wide wood shim of appropriate height to each side of opening under oven side rails. Lifting oven will hide larger cutout opening at top and oven's 1"-high bottom trim will hide shims at bottom. (Standard 1"-High Bottom Trim included.)
- To adapt oven to fit cutout height greater than 49-7/8", optional 3"-High Bottom Trim available.
- Full oven base of solid plywood or similar material required, capable of supporting 300 Lbs.
- Base must be level and cabinet front must be square.
- Double Wall Oven is NOT approved to be used in stackable or side-by-side installation.

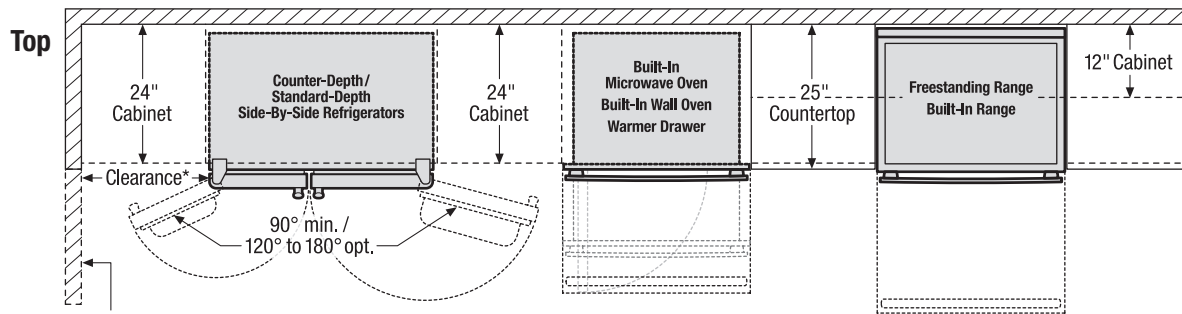
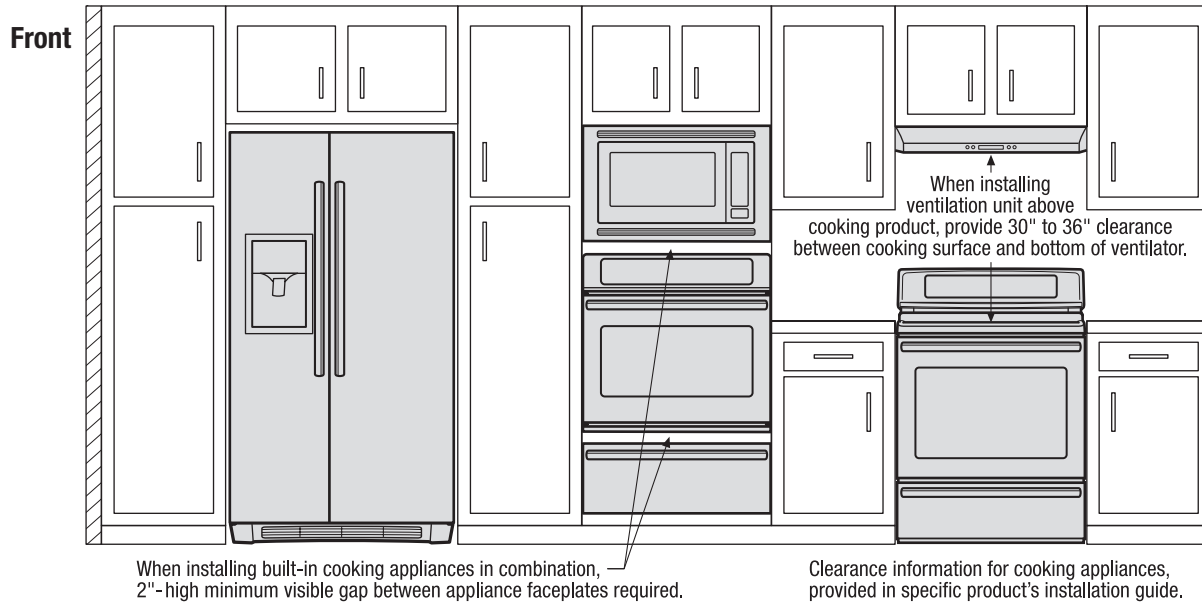
**Note:** For planning purposes only. Refer to Product Installation Guide on the web at [frigidaire.com](http://frigidaire.com) for detailed instructions.

**Optional Accessories**

- 3"-High Stainless Steel Bottom Trim - (PN# 903114-9015).
- 3"-High White Bottom Trim - (PN# 903114-9011).
- 3"-High Black Bottom Trim - (PN# 903114-9010).

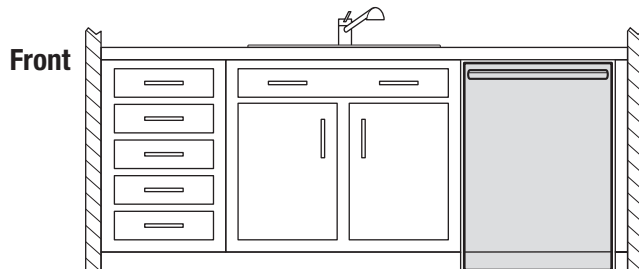
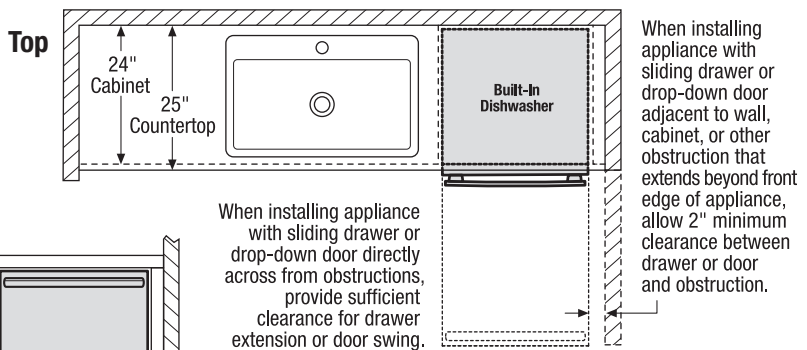


Use these dimensions and clearance instructions for planning purposes only. For detailed installation instructions, refer to installation guide, packed with product, or on the web at frigidaire.com.

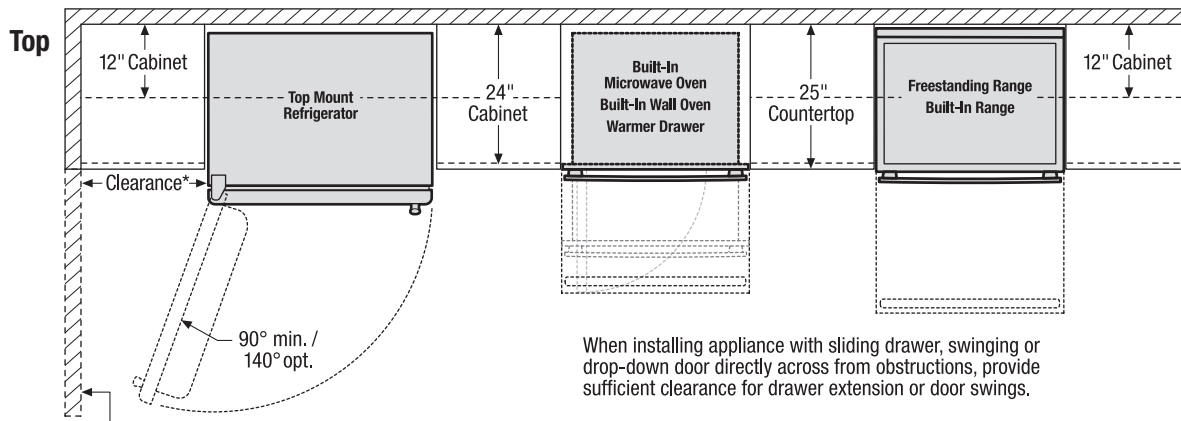
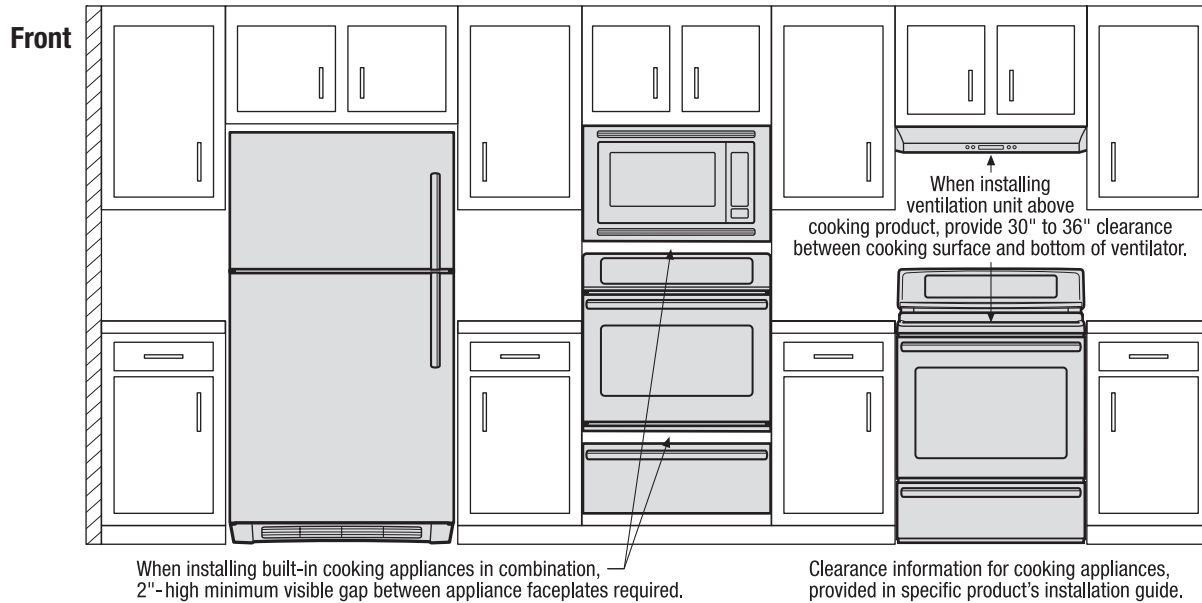


\*When installing side-by-side refrigerator adjacent to wall, cabinet or another appliance that extends beyond front edge of unit, 20" minimum clearance recommended to allow for optimum 120° to 180° door swing, providing complete drawer/crisper access and removal. (Absolute 4-1/2" minimum clearance will ONLY allow for 90° door swing which will provide limited drawer/crisper access with restricted removal.)

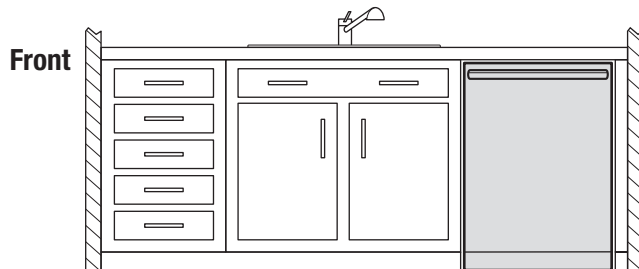
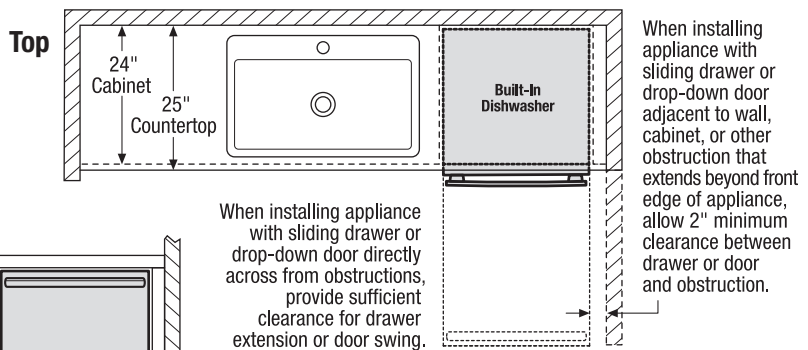
When installing appliance with sliding drawer, swinging or drop-down door directly across from obstructions, provide sufficient clearance for drawer extension or door swings.



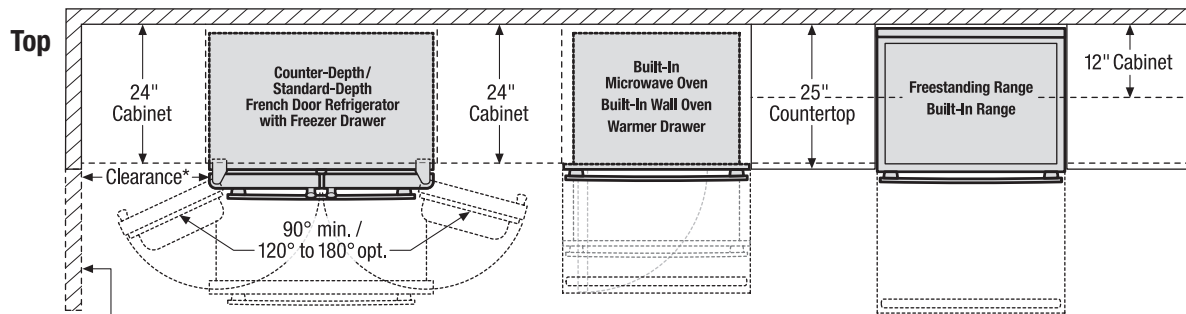
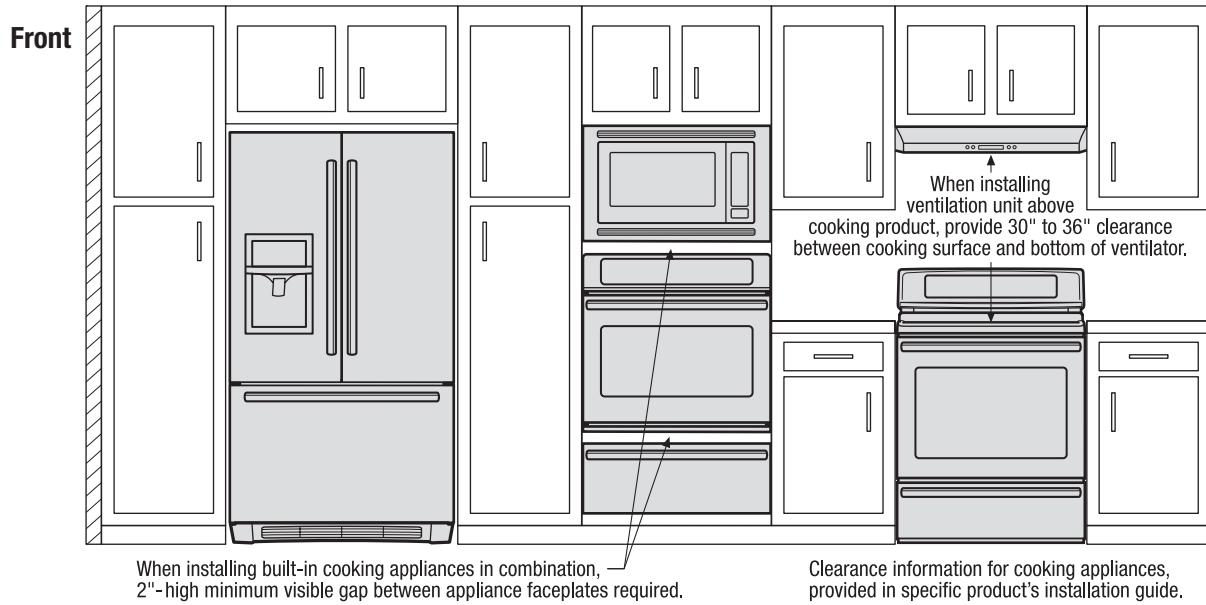
Use these dimensions and clearance instructions for planning purposes only. For detailed installation instructions, refer to installation guide, packed with product, or on the web at frigidaire.com.



\*When installing top mount refrigerator adjacent to wall, cabinet or other appliance that extends beyond front edge of unit, 20" minimum clearance recommended to allow for optimum 140° door swing, providing complete crisper access and removal. (Absolute 3" minimum clearance will ONLY allow for 90° door swing which will provide limited crisper access with restricted removal.)



Use these dimensions and clearance instructions for planning purposes only. For detailed installation instructions, refer to installation guide, packed with product, or on the web at frigidaire.com.



\*When installing French door refrigerator adjacent to wall, cabinet or another appliance that extends beyond front edge of unit, 20" minimum clearance recommended to allow for optimum 120° to 180° door swing, providing complete drawer/crisper access and removal. (Absolute 4-1/2" minimum clearance will ONLY allow for 90° door swing which will provide limited drawer/crisper access with restricted removal.)

When installing appliance with sliding drawer, swinging or drop-down door directly across from obstructions, provide sufficient clearance for drawer extension or door swings.

