



C36GGXU

classic

Free-Standing Gas Range, 36",
Stainless Steel

EAN13: 8017709173142

- Exclusive professional style
- AISI 304 stainless steel
- Sturdy American control knobs
- 4" Polished stainless steel backsplash

GAS OVEN

- 3 Cooking modes
- Gas Convection mode
- Broil mode
- Defrost mode
- Fan option for static gas
- "Ever-clean" enamelled oven interior
- 4 Shelf positions
- Air cooled triple glazed removable door
- 2 Lights oven lights
- Oven capacity: 4.4 Cu. Ft
- Gas broil element: 19,000 BTU
- Gas bake element: 18,000 BTU

GAS RANGE TOP

- Heavy duty cast iron grates
- Full width grates
- Sealed burners
- Automatic electronic ignition
- Safety valves
- LP Gas conversion kit included

6 GAS BURNERS:

- Front right: 6,200 BTU rapid burner
- Back right: 10,000 BTU rapid burner
- Front center: 3,400 BTU burner
- Back center: 15,000 burner
- Front left: 6,200 BTU burner
- Back left: 3,400 BTU burner



SAFETY

Automatic re-ignition when flame is accidentally extinguished

Valved gas oven

Ventilated door with cooling system to prevent overheating

Anti-tilting norms satisfied

Suitable for building-in

Connected load nominal power 120V

Amp supply required @120V: 1.2 Amp

Voltage rating: 120V 60Hz

Gas inlet location: back top right

ACCESSORIES INCLUDED:

1 Baking tray

1 Chrome shelf

1 Wire rack

1 Wok ring

1 Moka ring

Options

- **KITI36XU** - Island trim

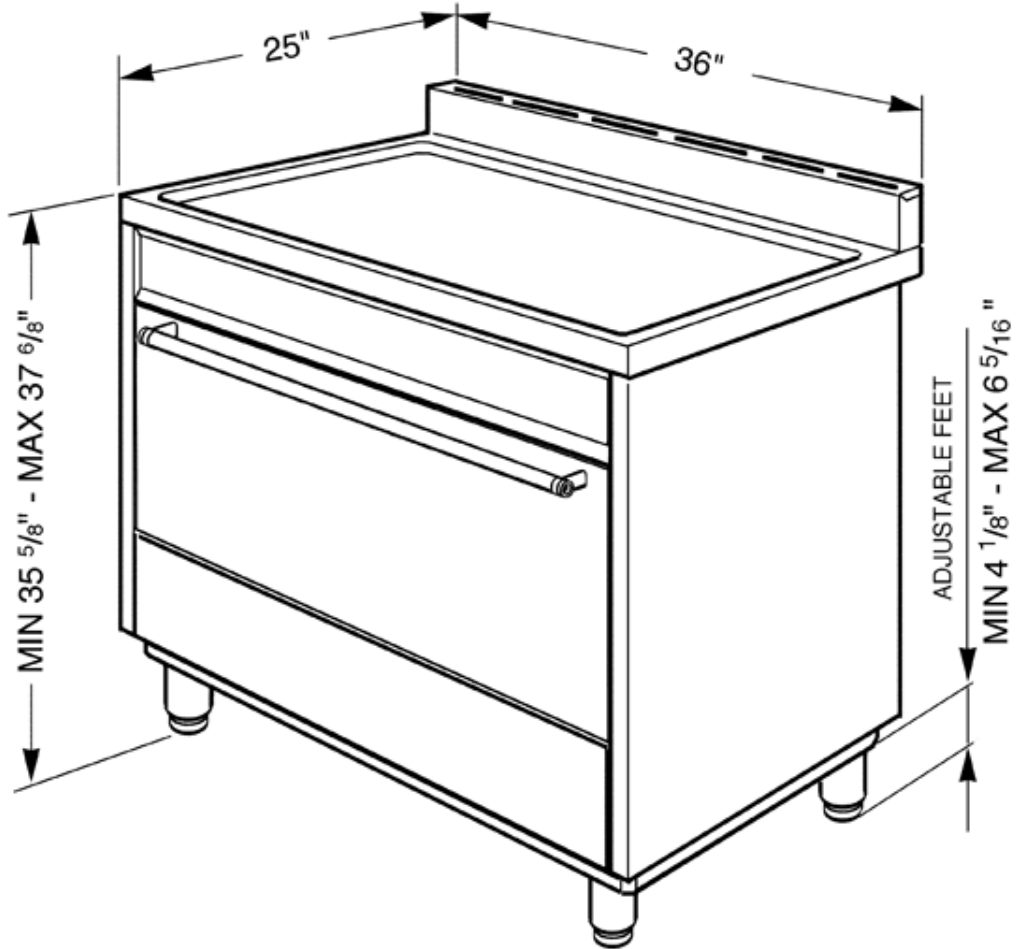
SMEG U.S.A. INC.
A&D BUILDING
150 EAST 58th STREET, 7th FLOOR
NEW YORK, NY, 10155
Tel. +1 212 265 5378
Fax +1 212 265 5945



C36GGXU

classic

30"
stainless steel
cooktops type: gas
oven type: gas



SMEG U.S.A. INC.
A&D BUILDING
150 EAST 58th STREET, 7th FLOOR
NEW YORK, NY, 10155
Tel. +1 212 265 5378
Fax +1 212 265 5945