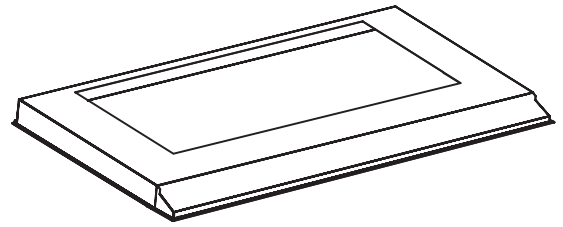


AL3036, AL3042, AL3948, AL3954, AL4554 & AL4560 LINERS



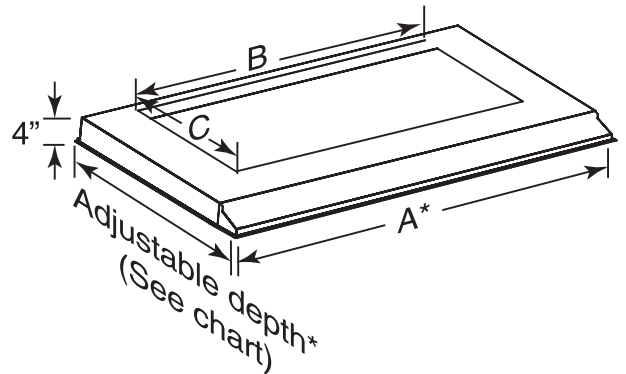
Especially designed to protect the exterior base of a custom hood. Fit PK22 Series inserts.

FEATURES

- Cabinet mount – custom application
- Stainless Steel Finish
- Adjustable depth to fit into cabinet openings as shown on chart (front to back)
- Fit custom hood nominal widths: 36", 42", 48", 54" or 60"
- Wipes clean easily
- For indoor use only

TO ORDER

Refer to table below to find the right liner part number for your insert and for width of the custom hood.



* Dimension does not include 7/16" wide flanges.

DIMENSIONS

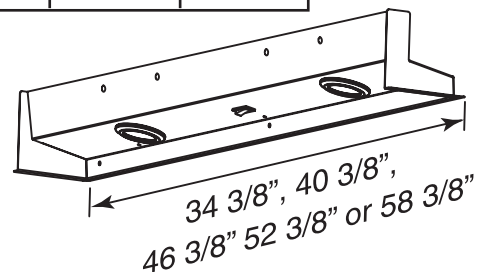
Liner Model	Insert Model	Custom Hood Nominal Width	Adjustable Depth* Fits into cabinet openings of		Width A*	Cut-out Width B	Cut-out Depth C
			Without Backboard	With Backboard			
AL3036	PK2230	36"	20 1/2" to 23 1/2"	20 1/8" to 23 1/8"	34 5/16"	26 1/4"	14 15/16"
AL3042	PK2230	42"	20 1/2" to 23 1/2"	20 1/8" to 23 1/8"	40 5/16"	26 1/4"	14 15/16"
AL3948	PK2239 PKEX2239	48"	20 1/2" to 23 1/2"	20 1/8" to 23 1/8"	46 5/16"	34 7/8"	14 15/16"
AL3954	PK2239 PKEX2239	54"	20 1/2" to 23 1/2"	20 1/8" to 23 1/8"	52 5/16"	34 7/8"	14 15/16"
AL4554	PK2245 PKEX2245	54"	20 1/2" to 23 1/2"	20 1/8" to 23 1/8"	52 5/16"	41 15/16"	14 15/16"
AL4560	PK2245 PKEX2245	60"	20 1/2" to 23 1/2"	20 1/8" to 23 1/8"	58 5/16"	41 15/16"	14 15/16"

The INSIDE DEPTH shown in the table above assumes a minimum cabinet backboard thickness of 3/8"

OPTION

Ambient light panel (ALP Series) for AL Series custom hood liners (Halogen lighting: 36" and 42" – 2 x 50 watt; 48", 54" and 60" – 3 x 50 watt GU10) Lamps included

Ambient Light Panel
ALP Series



BEST Hartford, Wisconsin www.BestRangeHoods.com 800-558-1711
BEST Drummondville, QC, Canada www.BestRangeHoods.com 866-737-7770

REFERENCE	QTY.	REMARKS	Project
			Location
			Architect
			Engineer
			Contractor
			Submitted by
			Date