

Lumen Island  
Ventilation Hood

DA 6296 D



# Lumen Island Ventilation Hood

## DA 6296 D



### FEATURES

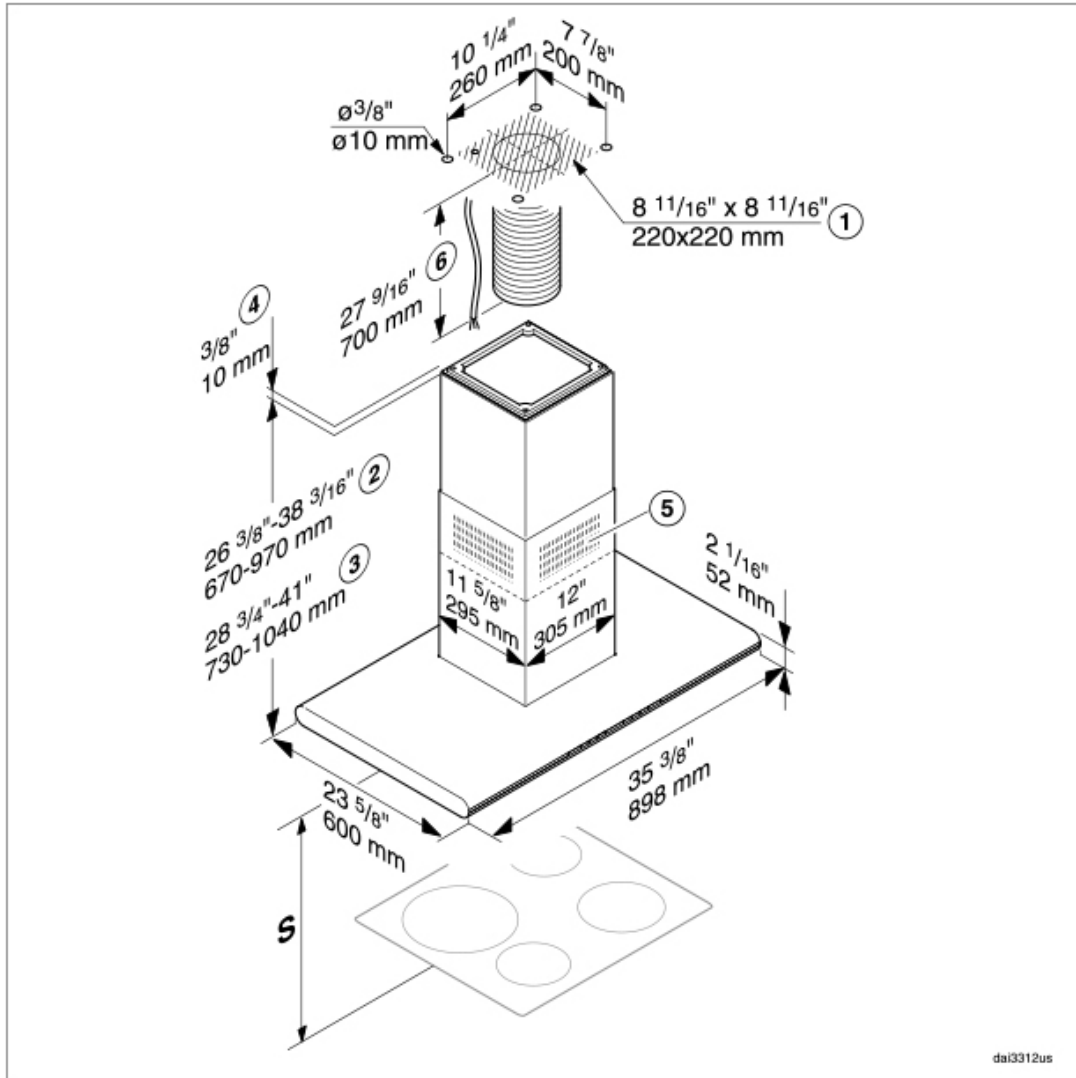
- NEW: LED ClearView lighting
- NEW: Con@ctivity — communication between hood and cooktop
- NEW: Telescopic chimney
- NEW: Recirculating as option
- Front mounted, backlit controls
- Four fan speeds (incl. intensive)
- Delayed shutdown for 5 or 15 minutes
- Dishwasher-safe metal filters
- Multi-colored LED glass-edge lighting with four preset colors and a setting that transitions through 196,000 colors with a change sequence of 1 or 15 minute intervals, enabling a favorite selection
- Polished stainless steel logo
- Stainless steel finish or RAL color options

### SPECIFICATIONS

#### DA 6296 D — Item 28629655USA

Vented or Recirculating	625 CFM setting
Canopy Dimensions	35 <sup>3</sup> / <sub>8</sub> " (898mm) W x 2 <sup>1</sup> / <sub>16</sub> " (52mm) H x 23 <sup>5</sup> / <sub>8</sub> " (600mm) D
Dimensions (Standard Height) - Vented	26 <sup>3</sup> / <sub>8</sub> " — 38 <sup>3</sup> / <sub>16</sub> " (670—970mm) H
Dimensions (Standard Height) - Recirculating	28 <sup>3</sup> / <sub>4</sub> " — 41" (730—1040mm) H
Chimney Dimensions	12" (305mm) W x 11 <sup>5</sup> / <sub>8</sub> " (295mm) D
Minimum distance above cooktop	Please refer to page 26 of the installation manual
Color	Available in brushed stainless steel or RAL colors
<b>Electrical</b>	
Electrical Requirements	120 V, 60 Hz, 15 Amps
Electrical Rating	382 W (Blower: 350 W; Lighting: 4x3 W; Glass edge lighting: 2x10 W)
<b>Optional Accessories</b>	
Recirculating Kit	DUI 32 Recirculating Kit
OdorFree Charcoal Filter	DKF 12-1 OdorFree Charcoal Filter
Reducing Collar (air flow max. 400 CFM)	
<b>Shipping</b>	
Shipping Weight	81.4 lbs (37kg)
<b>Support</b>	
Call	800.843.7231
20/20	©2020technologies.com

PRODUCT VIEW



- ① Mounting area for the exhaust ducting and power cable. In recirculation mode, only the power cord is required.
- ② Possible height range for appliance in vented mode
- ③ Possible height range for appliance in recirculation mode
- ④ Alternative installation with spacer frame
- ⑤ Air vent positioned at the top for recirculation