

Single Wall Oven

professional series

E30EW75PPS



PRODUCT DIMENSIONS

Height	29"
Width	30"
Depth	24-3/4"

MORE EASY-TO-USE FEATURES

Large Capacity

Coordinate an entire meal — our ovens feature 4.8 cu. ft. of cooking space with three adjustable baking racks.

Flat Oven Door Design

Our unique flat oven door is sleekly designed with fewer bumps and ridges — so it not only looks great but is easier to clean.

Smooth-Glide® Oven Racks

With a ball bearing system, the oven racks are so smooth they extend effortlessly.

Rapid Preheat

Savor sooner, with Rapid Preheat.

Precise Baking Options

Includes Defrost, Dehydrate, Bread Proof, My Favourites, Multi-Stage Cooking, Temperature Probe, Fast Preheat, Delay Bake and Convection Convert.

Platinum Star® Limited Warranty

Our exclusive limited warranty that includes a 3-year coverage on parts and one year on labour without charge¹.

Signature Features



Perfect Taste™ Dual Convection

For consistently delicious taste and texture, home chefs rely on our dual-fan convection heat, which circulates air evenly with two variable speeds that work in tandem with three heating elements.



Perfect Taste™ Temp Probe

The Perfect Taste™ Temp Probe does more than measure temperature — it keeps an active eye on your dishes by alerting you when food is at the peak of perfection and automatically adjusting to the Keep Warm setting.



Multi-Stage Cooking

Create great taste with ease. With Multi-Stage Cooking, an Electrolux ICON® oven is a built-in sous chef, helping you conquer delicious by adjusting between seven professionally inspired cooking modes, including Bake, Broil, Convection Bake, Convection Roast, Convection Broil, Keep Warm and Slow Cook.



Self-Cleaning Porcelain Racks

Bake, roast, broil, savor — the cleaning's on us. Our porcelain racks are safe to stay inside of the oven during the self-clean cycle, eliminating the mess and inconvenience of removing and cleaning racks by hand.

¹Eligibility based on product registration with Electrolux North America within 60 days of purchase.

Electric Single Wall Oven

E30EW75PPS professional series



30" ELECTRIC SINGLE WALL OVEN

OVEN FEATURES

Oven Cavity	4.8 Cu. Ft.
Cobalt Blue Interior	Yes
Dual Fan Convection System	Yes
Hidden Bake Element	Yes
Convection Conversion	Yes
Preheat Control	Yes
Rapid Preheat	Yes
Keep Warm	Yes
Light Clean / Medium Clean / Heavy Clean	Yes
Self-Cleaning with Auto-Safety Latch™	Yes
Self-Cleaning Cycle	Yes
Smooth-Glide® Self-Clean Porcelain Oven Racks	2
Standard Self-Clean Porcelain Oven Racks	1
Theatre Lighting	Yes
Porcelain Broiler Pan with Grill	Included

CONTROL PANEL FEATURES

Electronic Oven Control	Yes
Electronic Clock/Timer	Yes
Electronic Temperature Display	Yes
Glass Wave-Touch® Control with Blue LED Display	Yes
Automatic Oven – Delay, Cook & Off	Yes
Electronic Lockout	Yes
“My Favourite” Settings	Yes
Custom-Set™ Options with Temperature Probe	Yes
Automatic Oven Shutoff – 12 Hour	Yes
Programmable for °F or °C	Yes
Integrated Halogen Oven Light – Touch Pad	Yes

DOOR STYLE

Removable Door	Yes
Extra-Large Window	Yes
All Glass Inner Door	Yes
Stainless Door Handle	Yes

ADDITIONAL FEATURES

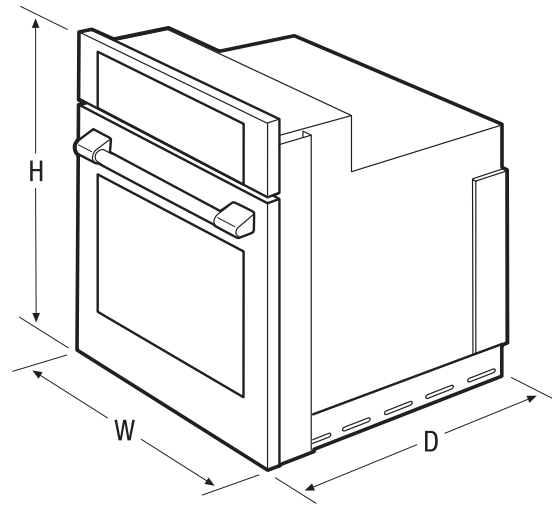
Sabbath Mode (Star-K® Certified)	Yes
----------------------------------	-----

SPECIFICATIONS

Power Supply Location	Left Bottom Rear
Approved for Under-Counter Installation*	Yes
Amps @ 240 Volts	18.8 / 16.3
Connected Load (kW Rating) @ 240 Volts	4.5 / 3.4
Bake Element (Watts @ 240 Volts)	2,000
Broil Element (Watts @ 240 Volts)	4,000
Convection Element (Watts @ 240 Volts)	2,500
Armoured Electrical Cable	Included
Shipping Weight (Approx.)	169 Lbs.

*Single Wall Oven is approved to be used beneath Electrolux ICON® gas cooktop models E36GC70FSS and E30GC70FSS; and Electrolux ICON® electric cooktop models E36C75FSS, E30C75FSS, E36C80ISS, E30C80ISS, E36EC70FSS and E30EC70FSS. Gas and electric cooktop models NOT approved for use in this installation are E36GC75GSS, E36EC75ESS, E36EC75HSS, E36GC76GFS, E30GC74GFS, E48GC76EPS, E30EC65ESS and E36EC65ESS.

NOTE: Always consult local and national electric codes. Refer to Product Installation Guide for detailed installation instructions on the web at electroluxicon.ca. Specifications subject to change.



NOTE: Always consult local and national electric codes. Refer to Product Installation Guide for detailed installation instructions on the web at electroluxicon.ca.

PRODUCT DIMENSIONS

Height	29"
Width	30"
Depth (Including Door)	24-3/4"
Depth (with Door Open 90°)	45-3/4"

OVEN CAVITY DIMENSIONS

Height	17-1/2"
Width	24-1/8"
Depth	19-1/2"

Electrolux Major Appliances, N.A.

CANADA • 5855 Terry Fox Way • Mississauga, ON L5V 3E4 • 1-800-265-8352 • electroluxicon.ca

E30EW75PPS 05/15

© 2015 Electrolux Major Appliances, N.A.



High standards of quality at Electrolux Home Products, Inc. mean we are constantly working to improve our products. We reserve the right to change specifications or discontinue models without notice.

Printed in Canada