

36" All Gas Range with Grill

Model: HR 1135 G GR / HR 1135 LP GR



HR 1135 G / HR 1135 LP

Features:

- DirectSelect controls
- M Pro dual stacked burner system with TrueSimmer
- M Pro Grill
- ComfortClean dishwasher-safe grates
- 5 Operating modes including Self-Clean
- Twin Convection fans
- Soft Open and Soft Close
- Clean Touch Steel™ front

SPECIFICATIONS

HR 1135 G GR — Item 25113551USA

HR 1135 LP GR — Item 25113552USA

Overall Unit Width	36" (914.4mm)
Overall Height	35½" — 37" (901.7mm — 939.8mm)
Overall Unit Depth to front of control panel	26½" (673mm)
Oven Door Clearance	22¾" (577mm)
Niche	
Minimum Cabinet Niche Width	36⅛" + ⅛" (916 — 917.6mm)
Minimum Cabinet Opening Height	35½" (901.7mm)
Burners	
Gas Burners:	(1) 12,000 BTU; (3) 19,000 BTU
Grill:	(1) 15,000 BTU
Electrical	
Electrical Requirements	120V, 60Hz, 15 Amps
Power Cord	Yes - NEMA 5-15 plug, 5.5 ft. (167.6cm) long
Shipping	
Shipping Weight	448.6 lbs (203.5kg)
Support	
Call	800.843.7231
20/20	©2020technologies.com

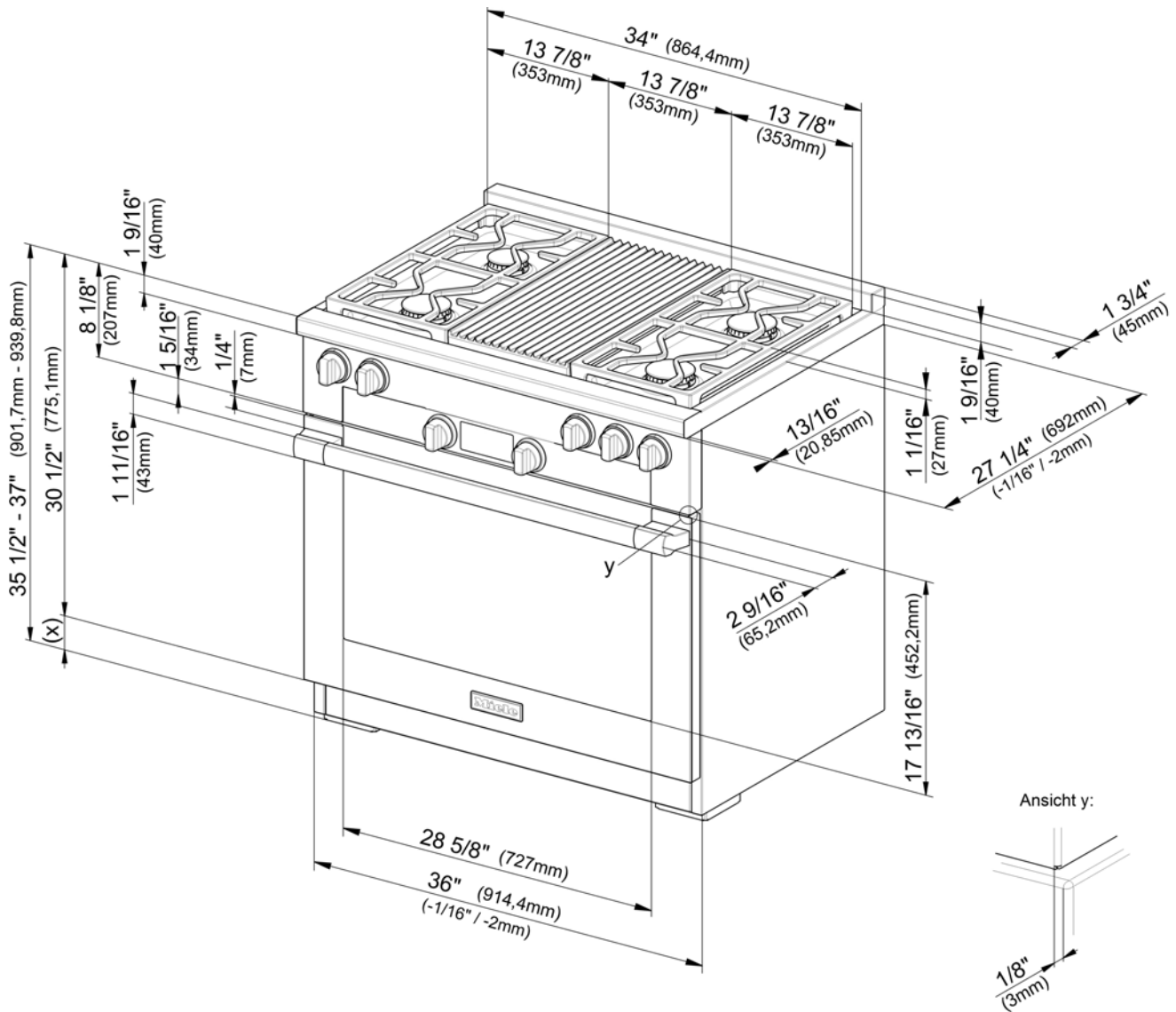
36" All Gas Range with Grill

Model: HR 1135 G GR / HR 1135 LP GR



PRODUCT VIEWS

Isometric



(x) = Toe-kick height adjustment 4" – 5 1/2" (101.6 – 139.7mm)

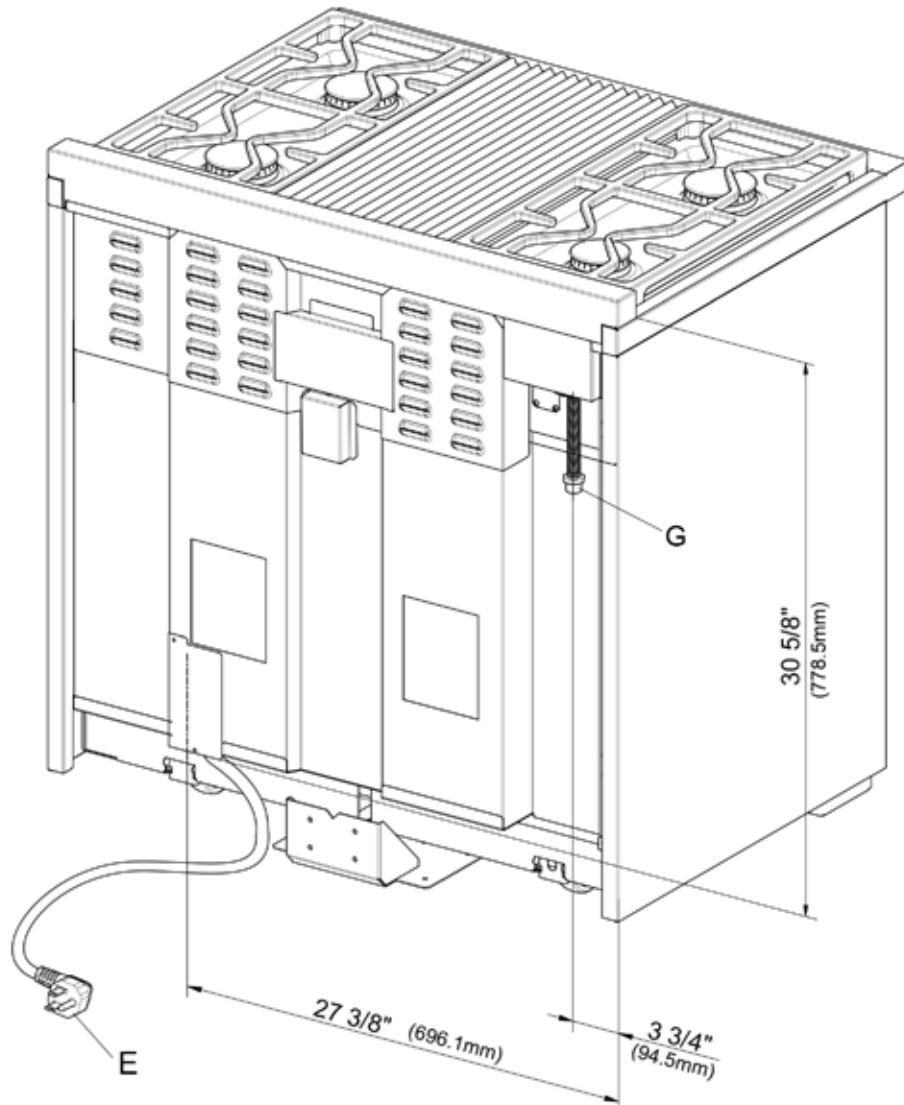
36" All Gas Range with Grill

Model: HR 1135 G GR / HR 1135 LP GR



PRODUCT VIEWS

Rear View



E = Electrical connection

G = Gas connection

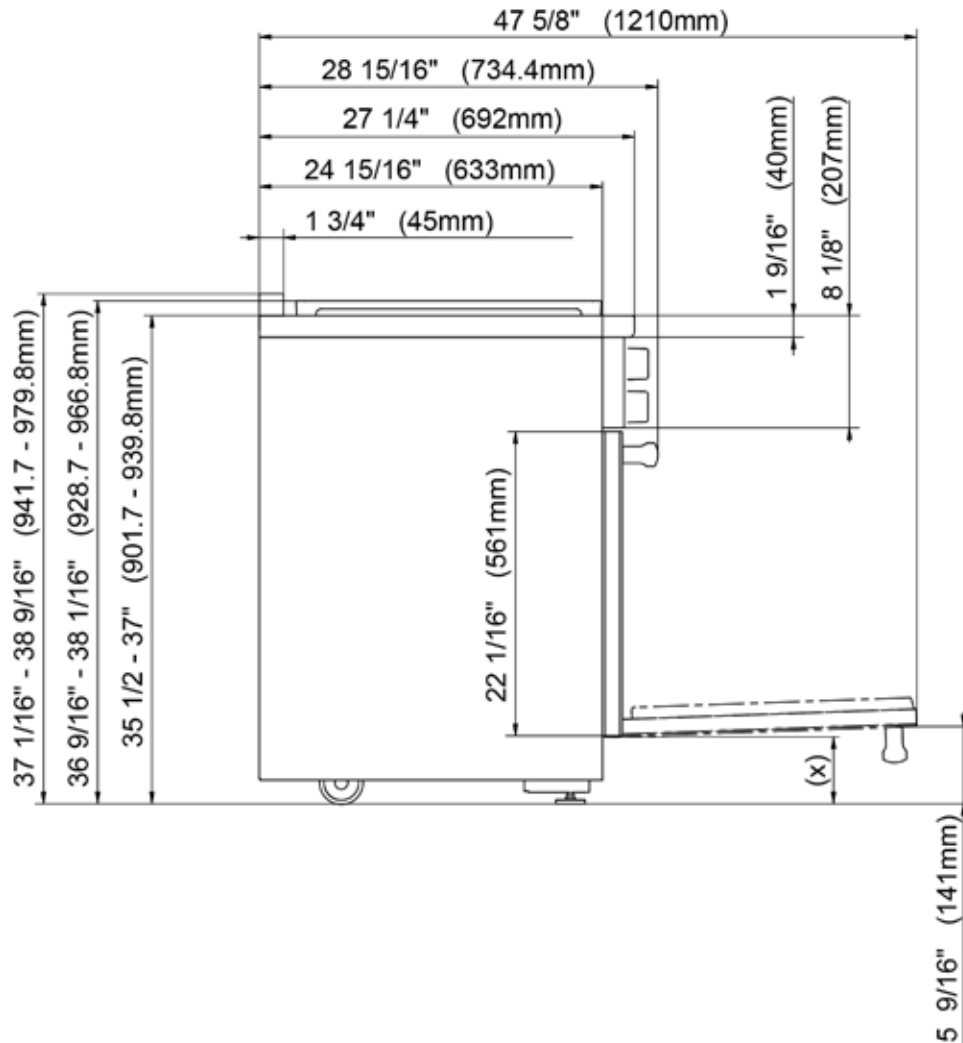
36" All Gas Range with Grill

Model: HR 1135 G GR / HR 1135 LP GR



PRODUCT VIEWS

Detailed Side View



(x) = Depending on the appliance height adjustment: 4" - 5 1/2" (101.6 mm - 139.7 mm)

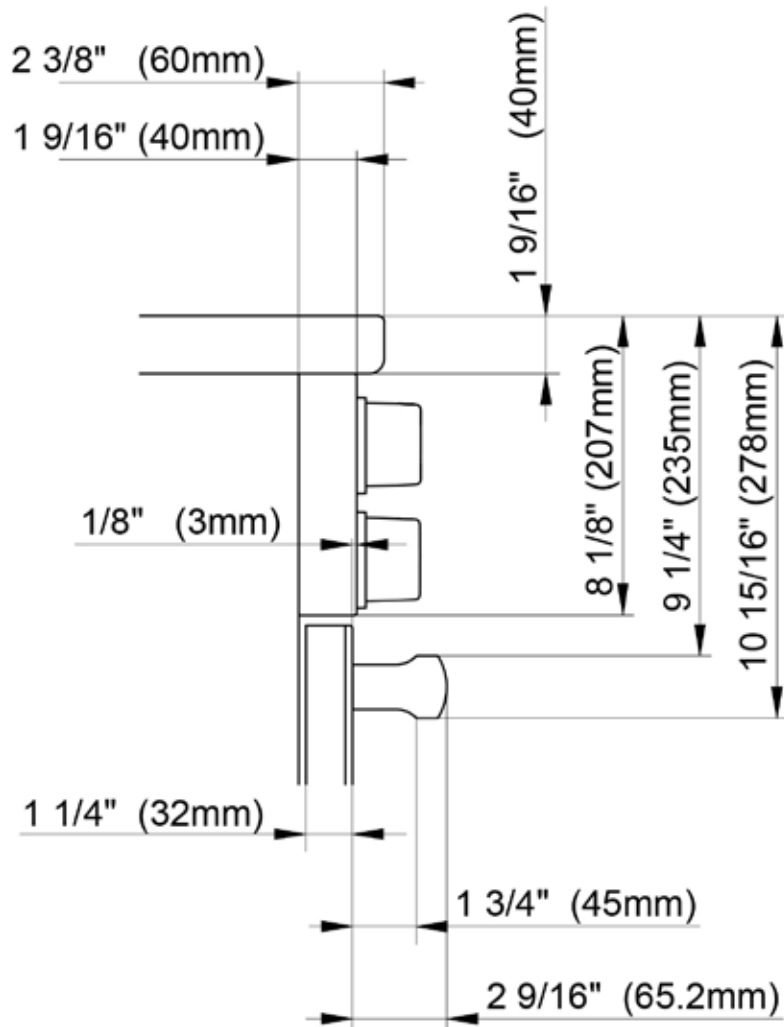
36" All Gas Range with Grill

Model: HR 1135 G GR / HR 1135 LP GR



PRODUCT VIEWS

Detailed Front Side View



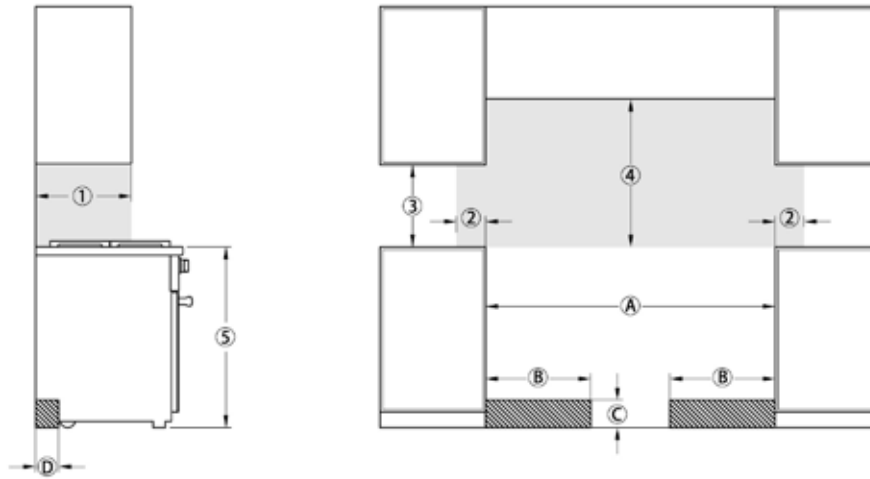
36" All Gas Range with Grill

Model: HR 1135 G GR / HR 1135 LP GR



PRODUCT VIEWS

Cabinet View



Position	Dimension [inches]	Description
①	13"	Maximum depth of upper cabinet
②	6"	Minimum distance (left and right) to flammable surfaces
③	18"	Minimum distance to bottom edge of top cabinet
④	30"	Minimum distance between the top of the cooking area and the bottom of an unprotected wooden or metal cabinet
⑤	35 1/2"–37"	Distance from floor to cooktop surface
A	36 1/16 + 1/16"	Niche width
B	approx. 13 3/4" (350 mm)	Maximum connection width right and left
C	approx. 4 1/2" (115 mm)	Maximum connection height
D	approx. 2 13/16" (72 mm)	Maximum connection depth

The gray areas represent the minimum distance from flammable surfaces.

The hatched areas represent the installation areas for the connections.

For island installations, 12" minimum distance from back of range to flammable rear wall above countertop.