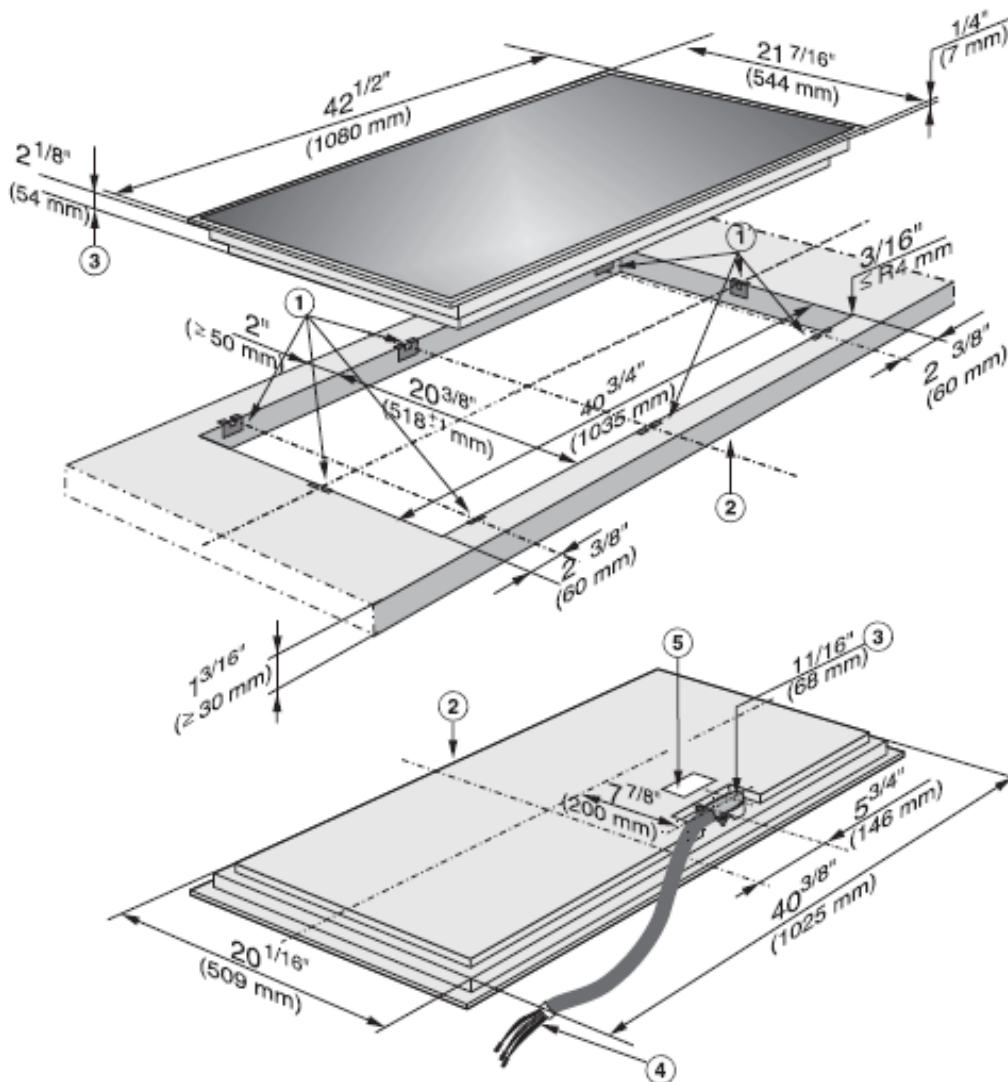


## Product and Cut-out Dimensions Touch Control Electric Cooktop KM5880



- ① Spring clips
- ② Front
- ③ Installation height
- ④ Connecting cable, Length = 56 11/16" (1440 mm)
- ⑤ Rating label

### Location Codes

E- 240 - 50 Amp 3-wire power supply connects rear center bottom  
 208 V- requires 60 Amp 3-wire power supply

Please specify 208 volt or 240 volt unit when ordering.

All installations must be done in accordance with local code.