

# JB700DJ/EJ

## GE® 30" Free-Standing Electric Convection Range

### DIMENSIONS AND INSTALLATION INFORMATION (IN INCHES)

#### RECEPTACLE LOCATIONS

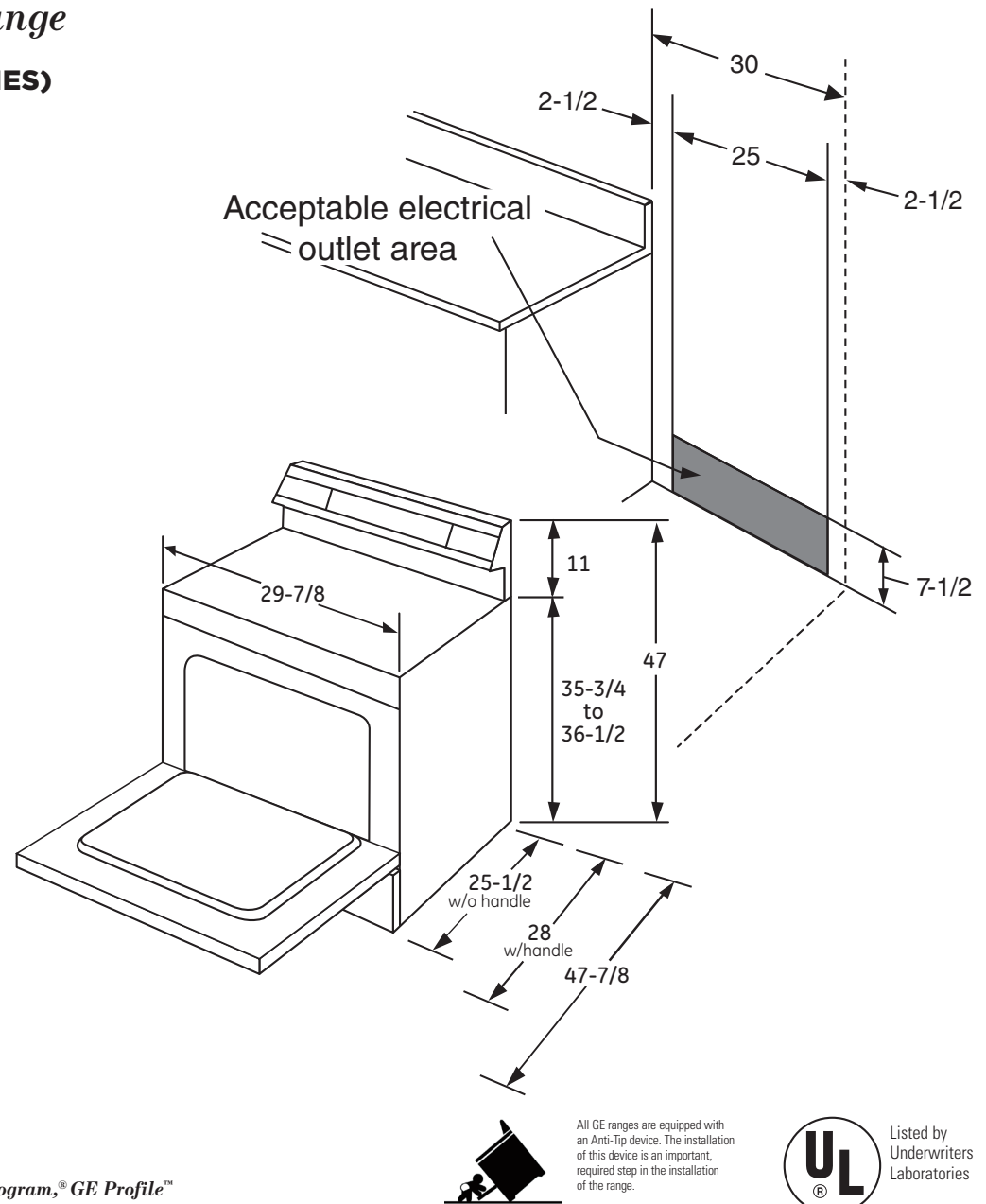
Locally approved flexible service cord or conduit must be used because terminals are not accessible after range installation. See shaded area in drawing for location of electrical outlet box. Recommended outlet locations allow range to be installed directly against wall.

**NOTE:** This appliance has been approved for 0" spacing to adjacent surfaces above the cooktop. However, a 6" minimum spacing to surfaces less than 15" above the cooktop and adjacent cabinet is recommended to reduce exposure to steam, grease splatter and heat.

**INSTALLATION INFORMATION:** Before installing, consult installation instructions for current dimensional data and additional requirements.

KW Rating	
240V	12.5
208V	9.4
Breaker Size	
240V	40 Amps†
208V	40 Amps†

†NOTE: Check local codes for required breaker size.



For answers to your Monogram,® GE Profile™ or GE® appliance questions, visit our website at [geappliances.com](http://geappliances.com) or call GE Answer Center® service, 800.626.2000.



# JB700DJ/EJ

## GE® 30" Free-Standing Electric Convection Range

### FEATURES AND BENEFITS

12"/9" dual element - Two heating elements in one offer flexibility

9"/6" Power Boil element - Produces rapid, powerful heat

Fast preheat - Make hot meals in a hurry with less time preheating

Fifth element warming zone - Provides low-heat capability for foods

Self-clean with Steam Clean option - Clean your oven the way you want

Convection - Enjoy even baking without turning the pan

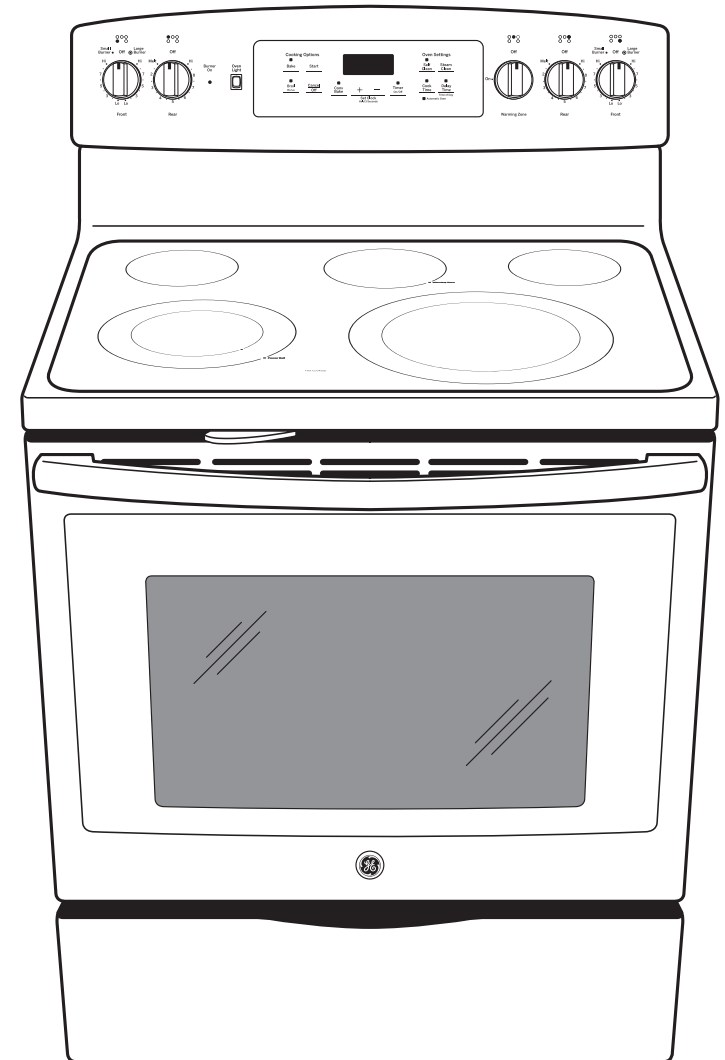
Hidden bake oven interior - Make cleanup easy by eliminating hard-to-reach areas

Black gloss oven interior - Enjoy a clean and sleek appearance

Model JB700EJES - Slate

Model JB700DJWW - White on white

Model JB700DJBB - Black on black



GE APPLIANCES