

1. IMPORTANT SAFETY INSTRUCTIONS .....	4
2. DIMENSION REQUIREMENTS .....	7
3. UNPACKING, MOVING AND POSITIONING THE RANGE .....	9
4. WALL ATTACHMENT AND THE ANTI-TIP DEVICE .....	10
5. ELECTRICAL REQUIREMENTS .....	13
6. GAS SUPPLY REQUIREMENTS .....	14

**WARNING:** If the instructions contained in this manual are not followed precisely, fire or explosion may result causing property damage, personal injury or loss of life.

- Do not store or use gasoline or other flammable vapors or liquids near this or any other appliance.

## WHAT TO DO IF YOU SMELL GAS

- Do not try to light any appliance.
  - Do not touch any electrical switches.
  - Do not use any telephones in your building.
  - Immediately call your gas supplier from a neighbor's phone. Follow the gas supplier's instructions.
  - If you cannot reach your gas supplier, call the fire department.
- Installation and service must be performed by a qualified installer, service agency or gas supplier.



**NOTE:** THIS APPLIANCE MUST BE INSTALLED SOLELY AND EXCLUSIVELY BY A QUALIFIED TECHNICIAN. ANY TECHNICAL PROCEDURES MUST BE CARRIED OUT BY AN AUTHORIZED TECHNICIAN.



**INSTRUCTIONS FOR THE USER:** these instructions contain user advice, a description of the controls and the correct procedures for cleaning and maintenance of the appliance.

## 1. IMPORTANT SAFETY INSTRUCTIONS



**READ AND SAVE THESE INSTRUCTIONS** – Your safety and the safety of others are very important. We have provided many important safety messages throughout this manual and on the appliance. Read all the instructions before using the appliance and always obey all safety messages.



### RECOGNIZE SAFETY INFORMATION

This is a safety alert symbol. This symbol alerts you to potential hazards that can result in severe personal injury or loss of life.

### UNDERSTAND SIGNAL WORDS

A signal word – DANGER, WARNING, or CAUTION – is used with the safety alert symbol. DANGER denotes the most serious hazards. It means you could lose your life or be seriously injured if you do not immediately follow the instructions. WARNING means you could lose your life or be seriously injured if the instructions are not followed. CAUTION indicates a potentially hazardous situation which, if not avoided, could result in minor to moderate injury.

The safety messages will inform you of potential hazards, on how to avoid the risk of injury and what can occur if the instructions are not followed.

**IMPORTANT:** Installation, gas connections and grounding must conform to applicable codes. Observe all governing codes and ordinances.

**WARNING: For your safety, the instructions in this manual must be followed to minimize the risk of fire or explosion and to prevent property damage, personal injury or loss of life.**



### WARNING

- This appliance is intended for home use only.
- Use this appliance only for its intended purpose. The manufacturer cannot be held liable for damage caused by improper use of this range.
- This appliance complies with current safety regulations. Improper use of this range can result in personal injury and material damage.
- Read all the instructions before installing or using the range for the first time.
- Keep these operating instructions in a safe place and pass them on to any future user.



**NOTE:** This range is manufactured for use with natural gas. To convert the appliance to LP/Propane gas, see the instructions in the Gas Conversion Kit provided in the literature package.

The proper gas supply connection must be available. See "Gas supply requirements".

In the State of Massachusetts, the following installation instructions apply:

- Installation and repairs must be performed by a Massachusetts qualified or licensed contractor, plumber, or gas fitter.
- If using a ball valve, it shall be the T-handle type.
- A flexible gas connector, when used, must not exceed 3 feet.

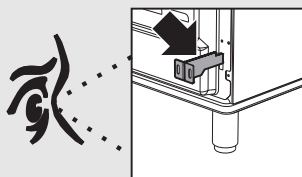
## TIP OVER HAZARD

### WARNING



- A child or adult can tip the range and be killed.
- Make sure that the anti-tip device has been properly installed and engaged. The wall-mounted brackets should anchor the sides of the range (primary system) or, in case of floor-mounted brackets, they should anchor the rear of the range to the ground.
- Make sure that the anti-tip device is re-engaged when the range is moved. The wall-mounted brackets should anchor the sides of the range (primary system) or, in case of floor-mounted brackets, they should anchor the rear of the range to the ground.
- Do not operate the range without the anti-tip device in place and engaged.
- Failure to do so can result in death or serious burns to children or adults.

### WARNING



#### PRIMARY FASTENING SYSTEM:

Visually check that the wall-mounted brackets are inserted into the appropriate lateral hooks (on both sides).



**NOTE:** This range is NOT designed for installation in manufactured (mobile) homes or in recreational vehicles (RVs).

**DO NOT install this range outdoors.**

### WARNING

**To reduce the risk of fire, electrical shock, personal injury, or damage when installing the range, some basic safety precautions must be followed, including:**

- Read all instructions
- Proper installation is your responsibility. Have a qualified technician install and ground this appliance in accordance with these installation instructions.
- It is the responsibility of the installer to comply with installation information specified on the model/serial ID plate. This plate is visibly positioned in the oven door frame and must not be removed.

**CAUTION:** To eliminate the risk of burns or fire caused by reaching over hot surface burners, do not store items directly above the rangetop.

- ELECTRICAL GROUNDING REQUIRED: See the “Electrical Requirements” section. It is the customer’s responsibility:
  - 1 To contact a qualified electrician to install the appliance
  - 2 To ensure that the electrical system is adequate and conforms with the national ANSI / NFPA 70 ELECTRICAL CODE – latest edition – Or the CANADIAN ELECTRICAL CODE, C22.11 – 1 and C22.2 No. 01982 – or latest edition – and all local codes and ordinances. IMPORTANT: Observe all governing codes and ordinances.
- Before you plug the electrical cord into an outlet, make sure that all the appliance controls are in the OFF position.
- Never modify or alter the construction of the appliance. For example, do not remove adjustable legs, panels, wiring or anti-tip brackets/screws.

**CAUTION:** This unit is designed as a cooking appliance. For safety purposes, never use it for warming the room or as a space heater.

- Do not obstruct oven vents or openings for heat exhaust.
- Test the appliance immediately after installation, following the instructions in this booklet. If the appliance does not work properly, disconnect it from the electrical power supply and call the service center. **DO NOT attempt to repair the appliance.**
- All adjustments and servicing must be performed by qualified installers or service technicians.
- Do not leave the packing material around the home. Sort the various items of waste and take them to the nearest specialized waste collection facility.

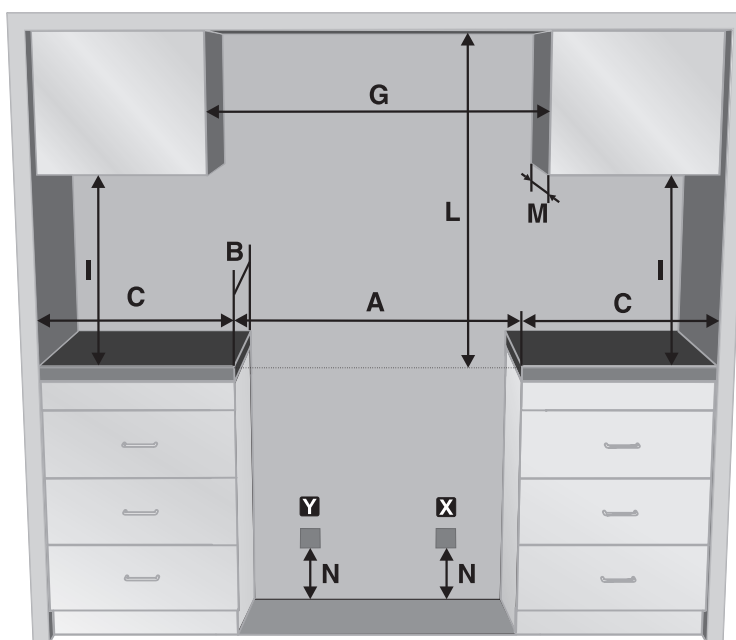
**WARNING**

- This appliance is intended for home use only.
- Use this appliance only for its intended purpose. The manufacturer cannot be held liable for damage caused by improper use of this range.
- This appliance complies with current safety regulations. Improper use of this range can result in personal injury and material damage.
- Read all the instructions before installing or using the range for the first time.
- Keep these operating instructions in a safe place and pass them on to any future user.

## SAVE THESE INSTRUCTIONS



## 2. DIMENSION REQUIREMENTS



### CLEARANCE

MODEL	A	B	C <sup>(5)</sup>	G <sup>(3)</sup>	I <sup>(4)</sup>	L <sup>(1)</sup>	M <sup>(2)</sup>	N
<b>C24GGXU</b>	612 mm 24"	636 mm 25"	216 mm 8 1/2"	612 mm 24"	457 mm 18"	610 mm 24"	330 mm 13"	150 mm 5 15/16"
<b>C36GGXU</b>	912 mm 35 15/16"	636 mm 25"	216 mm 8 1/2"	912 mm 35 15/16"	457 mm 18"	610 mm 24"	330 mm 13"	150 mm 5 15/16"

- 1 min. when bottom of wood or metal cabinet is protected by not less than 1/4" (0.64 cm) flame retardant millboard covered with not less than No. 28 MSG sheet steel, 0.015" (0.4 mm) stainless steel, 0.024" (0.6 mm) aluminum or 0.020" (0.5 mm) copper. 35" (889 mm) min. clearance between the top of the cooking surface and the bottom of an unprotected wood or metal cabinet.
- 2 max. upper cabinet depth;
- 3 min. cabinet opening width;
- 4 upper cabinet to countertop;
- 5 min. clearance from the sides of range to side wall or other combustible material;



**NOTE: Install with zero clearance sides and back.**



#### Grounded outlet

Position within 11 7/8" (300 mm) from the left rear corner of the range.



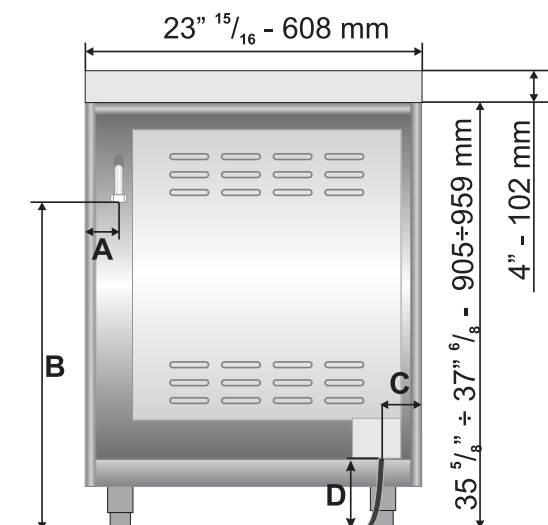
#### Gas supply line

Position within 11 7/8" (300 mm) from the right rear corner of the range.

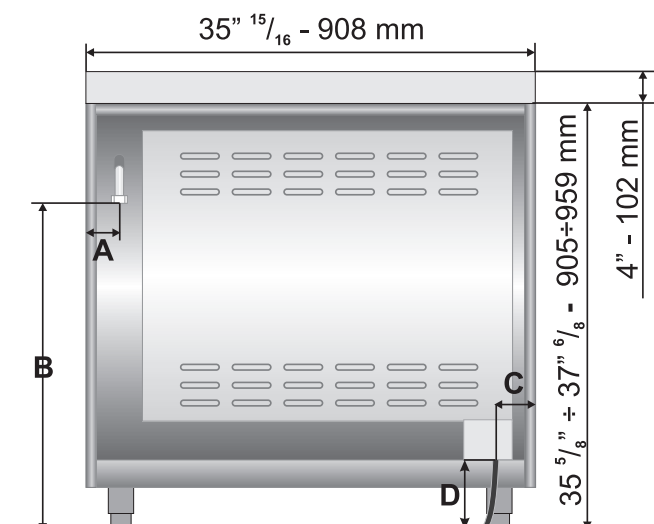


## 2.1 Product dimensions

Overall dimensions: location of electrical connection points.



<b>A</b>	60 mm - 2 <sup>3</sup> / <sub>8</sub> "
<b>B</b>	698 mm - 27 <sup>7</sup> / <sub>16</sub> " 753 mm - 29 <sup>5</sup> / <sub>8</sub> "
<b>C</b>	155 mm - 6 <sup>1</sup> / <sub>8</sub> "
<b>D</b>	157 mm - 6 <sup>3</sup> / <sub>16</sub> " 212 mm - 8 <sup>3</sup> / <sub>8</sub> "



<b>A</b>	55 mm - 2 <sup>1</sup> / <sub>8</sub> "
<b>B</b>	698 mm - 27 <sup>7</sup> / <sub>16</sub> " 753 mm - 29 <sup>5</sup> / <sub>8</sub> "
<b>C</b>	155 mm - 6 <sup>1</sup> / <sub>8</sub> "
<b>D</b>	157 mm - 6 <sup>3</sup> / <sub>16</sub> " 212 mm - 8 <sup>3</sup> / <sub>8</sub> "

Check the location where the range is to be installed. The range should be positioned for convenient access in the kitchen.



**NOTE:** Observe all governing codes and ordinances.

Any openings in the wall or floor where the range is to be installed must be sealed.

Some cabinet and building materials are not designed to withstand the heat that the oven produces during baking. Check with your builder or cabinet supplier to make sure that the materials used will not discolor, delaminate or sustain other damage.

The cabinet opening dimensions that are shown must be used. The indicated dimensions are the minimum clearances.

When installing a range under existing cabinets that do not satisfy the minimum cabinet clearances, install a rangehood over the cooking surface to avoid burn hazards.

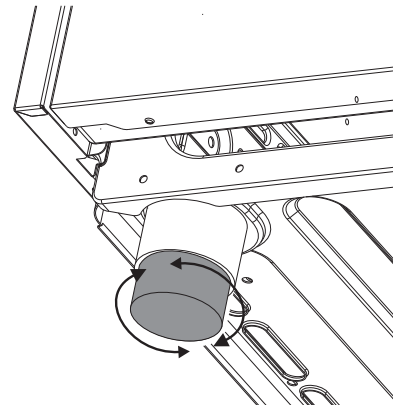
An air curtain or other overhead range hood, which operates by blowing a downward airflow onto a range, shall not be used in conjunction with the gas range unless the hood and range have been designed, tested in accordance with ANSI Z21.1 and listed by an independent testing laboratory for combination use. This type of ventilation system may cause ignition and combustion problems with the gas cooking appliance resulting in personal injury or unintended operation



## 3. UNPACKING, MOVING AND POSITIONING THE RANGE

**CAUTION:** This unit is designed as a cooking appliance. For safety purposes, never use it for warming the room or as a space heater.

- It is recommended that the grates, the griddle plate and burner heads, burner caps, front kick panel and oven racks be removed to facilitate handling. This will reduce the weight for moving.
- Remove the outer carton and packing material from the shipping base.
- Remove angle-mounting brackets from the range.
- Due to the weight, a dolly/fork lift with soft rubber tread wheels should be used to move this unit. The weight must be supported uniformly across the bottom.
- **The floor under the legs should be protected (wood, strips, carpet, paneling, etc.) before pushing the unit into position.**
- **The anti-tip device must be installed, and the gas and electrical connections should be made before the range is placed in its final position.**
- Ensure that the burner caps are correctly positioned on the burner bases on the rangetop.
- Legs should be installed near to where the appliance will be used as they are not secure for long transit. Keep the unit raised so the legs can be screwed into their couplings, then lower the range gently to prevent the legs and mounting hardware from being subject to any undue strain. Instead of tilting the unit, it is recommended that a pallet or lift jack be used.
- For proper performance the range must be leveled. The range is leveled by adjusting the four legs to ensure that the unit is on a perfectly level plane. To accomplish this, screw or unscrew the second part of the legs. The adjustment range of the screw is 1.37 inches (35 mm).

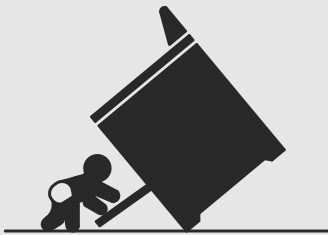


**NOTE:** this appliance must only use the specific leveling legs provided by the manufacturer.



## 4. WALL ATTACHMENT AND THE ANTI-TIP DEVICE

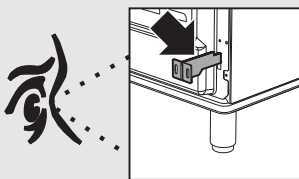
### WARNING



#### TIP OVER HAZARD

- A child or adult can tip the range and be killed.
- Make sure that the anti-tip device has been properly installed and engaged. The wall-mounted brackets should anchor the sides of the range (primary system) or, in case of floor-mounted brackets, they should anchor the rear of the range to the ground.
- Make sure that the anti-tip device is re-engaged when the range is moved. The wall-mounted brackets should anchor the sides of the range (primary system) or, in case of floor-mounted brackets, they should anchor the rear of the range to the ground.
- Do not operate the range without the anti-tip device in place and engaged.
- Failure to do so can result in death or serious burns to children or adults.

### WARNING



#### PRIMARY FASTENING SYSTEM:

Visually check that the wall-mounted brackets are inserted into the appropriate lateral hooks (on both sides).

### WARNING



#### ELECTRICAL SHOCK HAZARD

- Use extreme caution when drilling holes into the wall or floor. There may be concealed electrical wiring located behind the wall or under the floor.
- Identify the location of the electrical circuits that could be affected by the installation of the anti-tip device, then turn off power to these circuits.
- Failure to follow these instructions may result in electrical shock or other personal injury.

#### CAUTION: PROPERTY DAMAGE

- Contact a qualified installer or contractor to determine the proper method for drilling holes through the wall or floor material (such as ceramic tile, hardwood, etc.)
- Failure to follow these instructions may result in damage to wall or floor coverings.

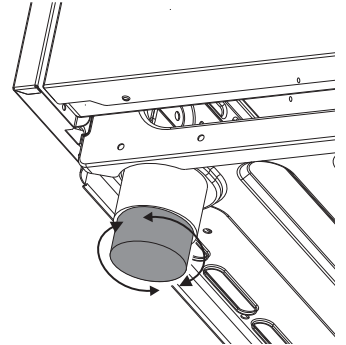




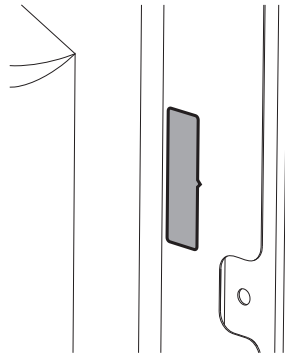
## 4.1 Instructions for wall mounting (primary system)

The anti-tip brackets are to be attached to the rear wall as shown. The height of bracket location from the floor is determined after the range legs have been adjusted to the installation height as shown in the installation instructions and the range has been leveled.

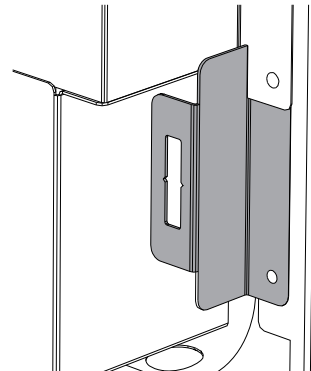
- 1 Level the range using the adjustable leveling legs.



- 2 From the floor, measure the height of the notch found on the bracket. This notch corresponds to the centerline of the holes for the screws that will fasten the brackets to the wall.

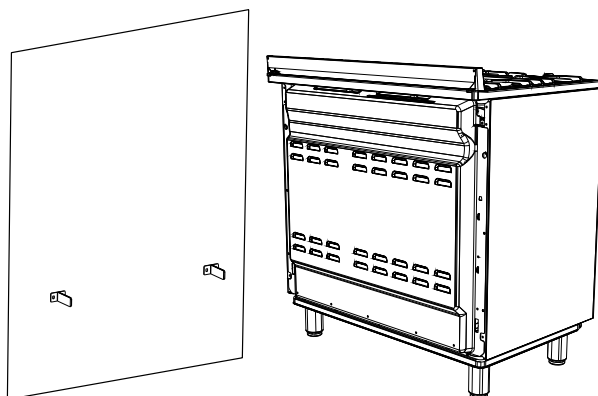


**C24GGXU** (23 <sup>15</sup>/<sub>16</sub> " - 608 mm)

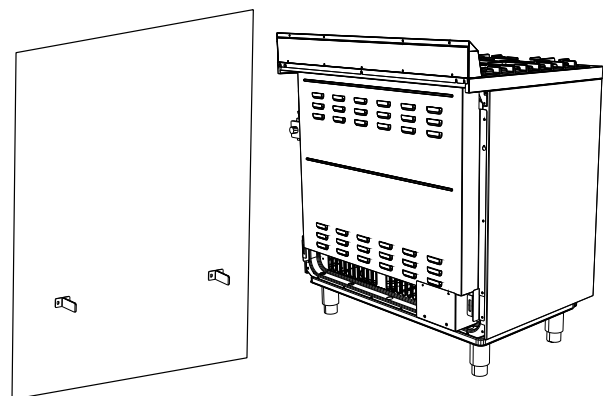


**C36GGXU** (35 <sup>3</sup>/<sub>4</sub> " - 908 mm)

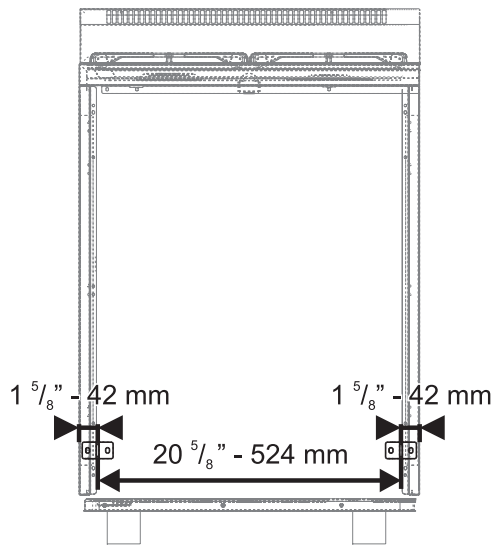
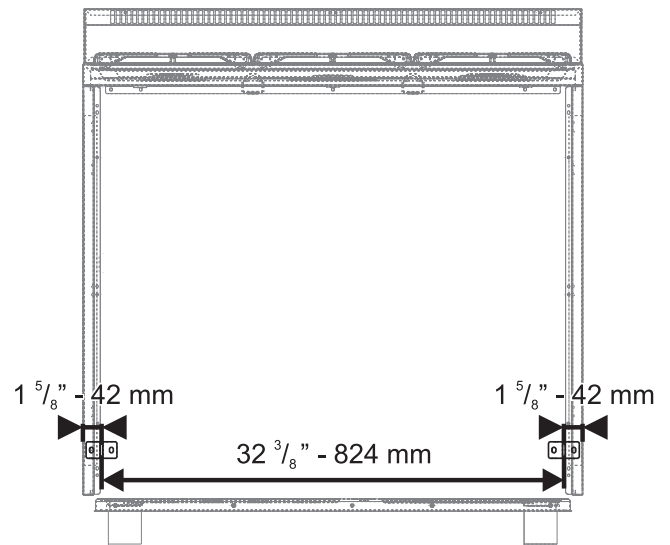
- 3 Attach the two anti-tip brackets to the wall using an appropriate fastener (for example, screws appropriate for the type of wall). Respect the heights indicated in the figures using the appliance's dimensions as a guide. (Type of screw recommended <sup>1</sup>/<sub>4</sub>").



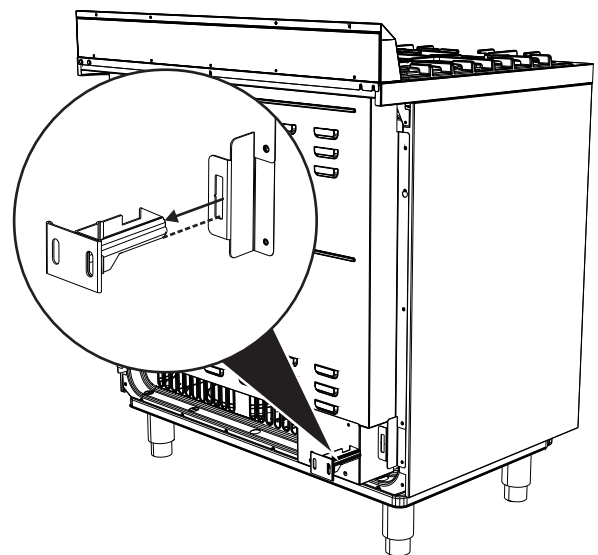
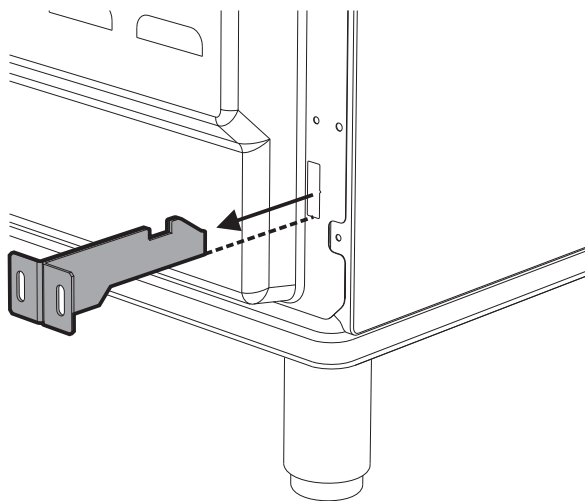
**C24GGXU** (23 <sup>15</sup>/<sub>16</sub> " - 608 mm)



**C36GGXU** (35 <sup>3</sup>/<sub>4</sub> " - 908 mm)

**C24GGXU** ( $23 \frac{15}{16}$ " - 608 mm)**(Front view)****C36GGXU** ( $35 \frac{3}{4}$ " - 908 mm)**(Front view)**

- 4 Correctly position the range so that the two screws perfectly align with the anti-tip brackets on the range.





## 5. ELECTRICAL REQUIREMENTS



### WARNING

### ELECTRICAL GROUNDING INSTRUCTIONS



### WARNING



#### ELECTRICAL SHOCK HAZARD

- Plug into a grounded 3-prong outlet.
- Do not cut or remove the grounding prong.
- Do not use an adaptor.
- Do not use an extension cord.
- Check with a qualified electrician if you are not sure whether the range is grounded.

**FAILURE TO FOLLOW THESE INSTRUCTIONS COULD RESULT IN LOSS OF LIFE, FIRE OR ELECTRICAL SHOCK.**



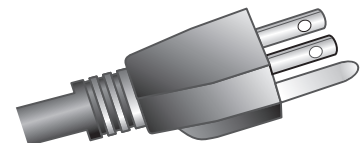
Make sure that the power line rating matches the specifications indicated on the ID plate located on the back of the appliance.

**This ID plate must never be removed.**

- If codes permit and a separate grounding wire is used, it is recommended that the suitability of the ground path be checked by a qualified electrician.
- Check with a qualified electrician if you are not sure whether the range is properly grounded. Do not ground to a gas pipe.
- A 120-volt, 60-Hz, AC-only, 15-ampere, fused electrical supply is required. A time-delay fuse or circuit breaker is recommended. It is recommended that a separate circuit serving only this appliance be provided.

### 5.0.1 Recommended Grounding Method

For your personal safety, this range must be grounded. This range is equipped with a 3-prong grounding plug. To minimize possible shock hazard, the cord must be plugged into a mating 3-prong grounding receptacle, grounded in accordance with the National ANSI/NFPA 70 Electrical Code (latest edition\*) or the Canadian Electrical Code (CSA)\*\* and local codes and ordinances. If a mating receptacle is not available, it is the personal responsibility and obligation of the customer to have a properly polarized and grounded 3-prong outlet installed by a qualified electrician.



**Copies of the standards listed above may be obtained from:**

**\* National Fire Protection Association, 1 Batterymarch Park, Quincy, Massachusetts 02169-7471**

**\*\* CSA International, 8501 East Pleasant Valley Road, Cleveland OH 44131-5575**



## 6. GAS SUPPLY REQUIREMENTS

### EXPLOSION HAZARD



#### WARNING



- Use a new AGA or CSA-approved gas supply line.
- Install a shut-off valve.
- Securely tighten all gas connections.
- If connected to LP, have a qualified technician ensure that the gas pressure does not exceed a 14" W.C.P.
- Examples of qualified technicians include licensed heating personnel, authorized gas company personnel, and authorized service personnel.
- Failure to do so can result in loss of life, explosion, or fire.



#### NOTE:

- Observe all governing codes and ordinances.
- The range must be connected to a standard gas supply.

1)

This installation must conform with all local codes and ordinances. In the absence of local codes, installation must conform to American National Standard, National Fuel Gas Code ANSI Z223.1 - latest edition\*\* or CAN/CGA B149.1 or 2\*\*.

2)

If local codes permit, a flexible metal appliance conductor with the new AGA or CSA design certified, 4-5 feet (1.2-1.5 m) long, 1/2" or 3/4" ID NPT, is recommended for connecting this range to the gas supply line.

Do not bend or damage the flexible connector when moving the range. The pressure regulator has 3/8" female pipe threads. You will need to determine the fittings required, depending on the dimension of your gas supply line, the flexible metal connector and the shut-off valve.

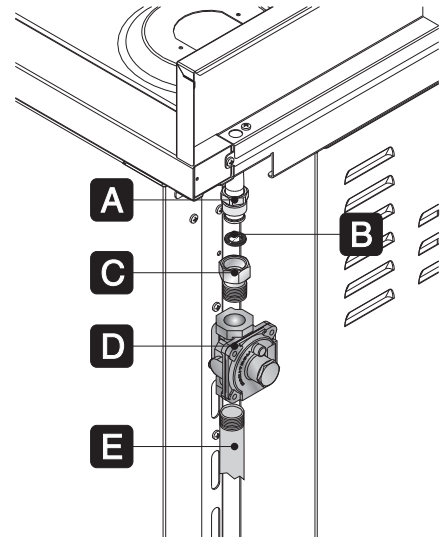


3)

Always use pipe-joint compound made for use with NATURAL GAS and L.P. GAS between pressure regulator **D** and NPT adaptor **C** and between pressure regulator **D** and pipe **E**. If a flexible metal conductor is used, make sure that the tubing is not kinked.

Use only pipes (**E**) conforming to standard regulations in force, inserting gasket **B** (supplied) between fitting **A** adaptor **C**.

Always apply a suitable sealing substance (such as Teflon tape) between pressure regulator **D** and adaptor **C** and between pressure regulator **D** and pipe **E**.

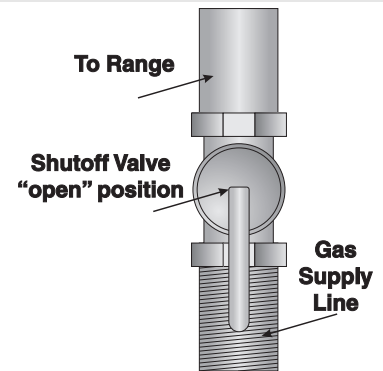


**WARNING:** The tightening torque of adaptor (**C**) must not be greater than 36 ozf - 10 Nm.

4)

The supply line must be fitted with an approved shut-off valve. This valve should be located in the same room as the cooktop and should be in a location where it can be easily opened and closed.

Do not block access to the shut-off valve. The valve is necessary for turning the gas to the appliance on or off.





5)

Incoming line pressure upstream from the regulator must be 1" (2.5 cm) W.C.P. higher than the manifold pressure in order to check the regulator. Incoming line pressure to the regulator should be as follows for operation and checking the regulator setting:

- **NATURAL GAS:** manifold pressure 4" W.C.P. Incoming line pressure 3.5"-10.5" W.C.P.
- **LP GAS:** manifold pressure 11" W.C.P. Incoming line pressure 8.0"-13" W.C.P.



6)

Line pressure testing: Testing above 112 PSI (3.5 kPa), with water column pressure of 14" (35.6 cm) (gauge).  
The range and its individual shut-off valve must be disconnected from the gas supply piping system during any pressure testing of that system at test pressures greater than 1/2 psig (3.5 kPa).  
Testing below 112 PSI (3.5 kPa) with a water column pressure of 14" (35.6 cm) (gauge) or lower.  
The range must be isolated from the gas supply piping system by closing the respective manual shut-off valve during any pressure testing of the gas supply piping system at test pressures equal to or less than 1/2 psig (3.5 kPa).