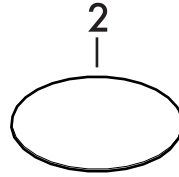
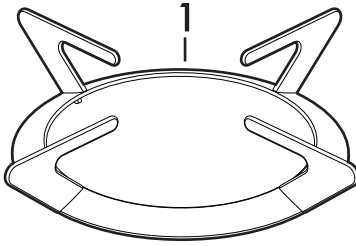




## 1 Description



1 Grid

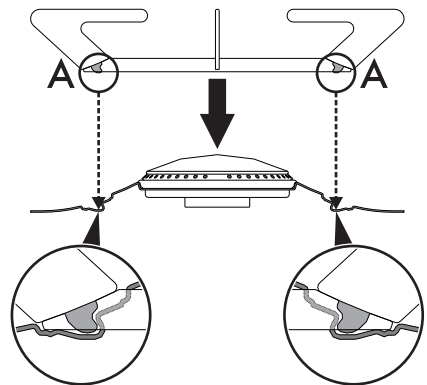
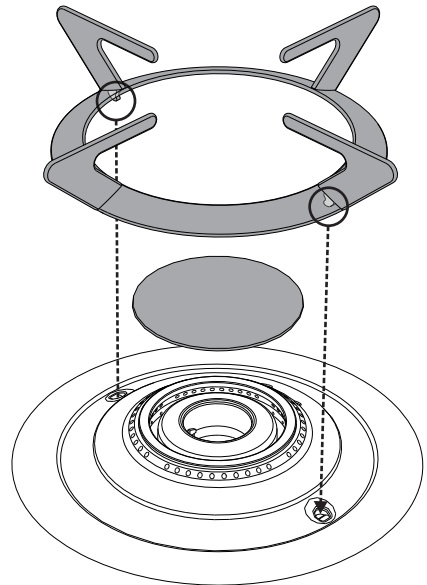
2 Burner cap

**i** The special EVERSHINE treatment makes the stainless-steel burner caps and grids highly heat resistant, preventing yellowing due to high temperatures.

## 2 Installation

Proceed as follows to replace the grids and burner caps:

1. Pull one of the two horizontal spokes of the grids upwards to remove them.
2. Remove the burner caps.
3. Fit the EVERSHINE treated burner caps to the corresponding burners.
4. Position the EVERSHINE treated grids, taking care that the pins **A** line up with their seats on the hob, then press down with your palm until they click into place.





## Cleaning and maintenance

### 3 Cleaning



**Improper use**

**Risk of damage to surfaces**

- Do not use steam jets for cleaning the components.
- Use hot or warm water to clean.
- For stubborn dirt, use neutral, non-abrasive detergents.
- Do not use cleaning products containing chlorine, ammonia or bleach.
- Use soft materials (cloths, sponges, chamois) for cleaning and drying.
- Do not use rough or abrasive materials.
- In case of contact with overly harsh detergents, hard water or spills (cooking water, sauce, coffee etc.), clean the hob as soon as it has cooled.
- Never wash in the dishwasher.

For optimum cleaning without damaging the treatment, proceed as follows:

1. Pull one of the two horizontal spokes of the grid upwards to remove it.
2. Remove the burner cap.
3. Wash the removed components, taking care to remove all stains and encrusted substances.



Do not use metallic sponges or sharp scrapers.

4. Dry the components.
5. Reposition the burner caps on their respective burners; position the grids, taking care that the pins **A** line up with their seats on the hob, then press down with your palm until they click into place.