

GDF610PGJ/PMJ/PSJ

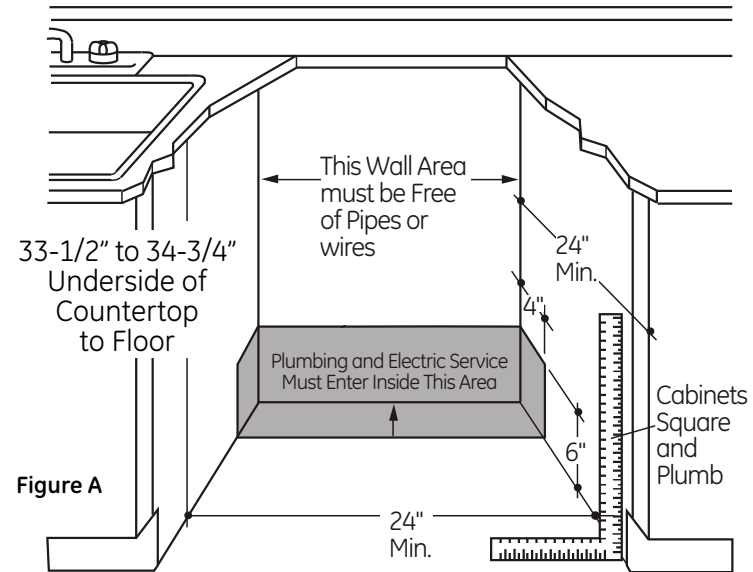
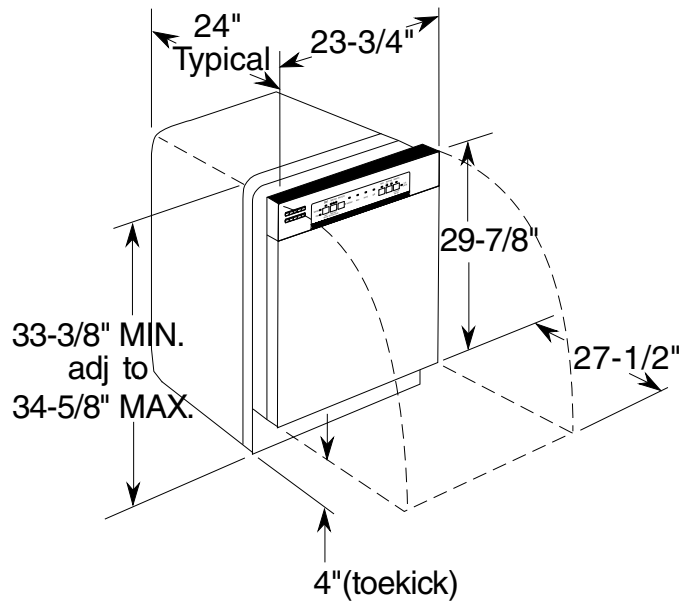
GE® Series Dishwasher with Front Controls

DIMENSIONS AND INSTALLATION INFORMATION (IN INCHES)

ELECTRICAL RATING

Voltage AC	120
Hertz.....	60
Total connected load amperage.....	7.1
Calrod® heater watts	415/800

For use on adequately wired 120-volt, 15-amp circuit having 2-wire service with a separate ground wire. This appliance must be grounded for safe operation.



GE APPLIANCES

For answers to your Monogram®, GE Profile™ Series or GE® Series appliance questions, visit our website at geappliances.com or call GE Answer Center® service, 800.626.2000.



Listed by Underwriters Laboratories



As an ENERGY STAR® partner, GE has determined that this product meets the ENERGY STAR guidelines for energy efficiency.

GDF610PGJ/PMJ/PSJ

GE® Series Dishwasher with Front Controls

FEATURES AND BENEFITS

GE's most advanced wash system – Consistently clean and dry dishes are ensured with GE's most advanced wash system, featuring 65% more wash power.*

Bottle Jets – Clean hard-to-reach areas inside tall items with two dedicated jets integrated into the upper rack that shower water deep inside for the ultimate clean

Piranha™ hard food disposer with removable filter – To ensure consistently clean items, this stainless steel blade rotates at 3,600 RPM to pulverize food particles and helps to prevent large particles from clogging the wash arms

Steam PreWash – Loosens tough soils before any cycle, virtually eliminating the need for soaking or pre-rinsing dishes

51 dBA with status light on door – A dishwasher this quiet has a status light to let you know it is running

Sanitize option (NSF residential) – High-temperature rinse sanitizes and reduces 99.999% of bacteria found on dishes

SpaceMaker® silverware basket – Enjoy table-ready silverware and loading flexibility with this unique basket that can be placed on the rack or onto the door

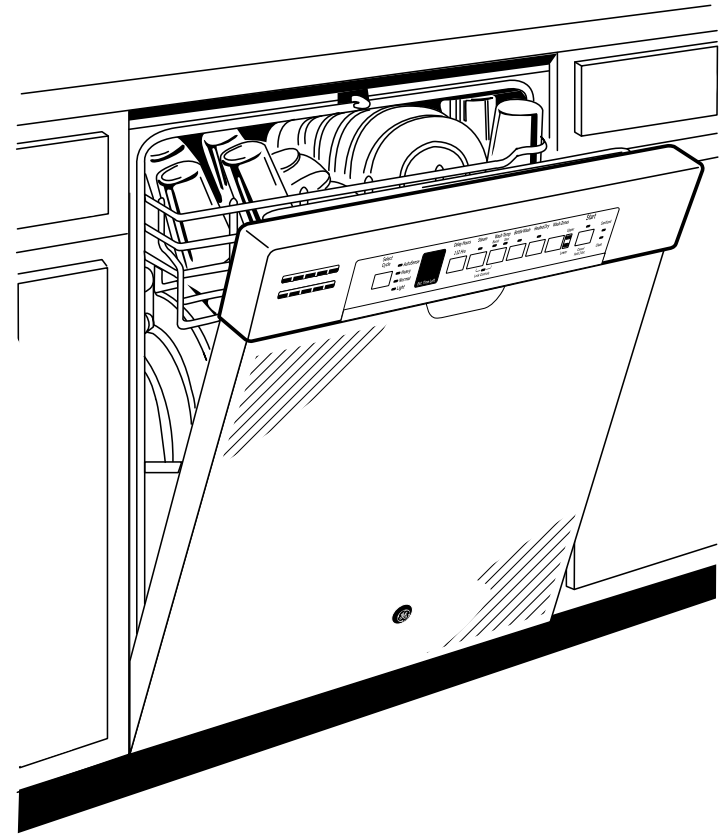
Model GDF610PSJSS – Stainless steel

Model GDF610PMJES – Slate

Model GDF610PGJBB – Black

Model GDF610PGJWW – White

*Wash power delivered to each rack. Compared to previous GE models.



GE APPLIANCES