



# Microwave Oven

*Safety Instructions* ..... 2-8

*Operating Instructions*

Oven Features ..... 9

Controls ..... 10

Time Features..... 11

Defrost Features ..... 12-14

Convenience Features..... 15, 16

Microwave Terms ..... 16

Power Levels..... 17

Other Features..... 18-20

Replacing the Light Bulb..... 23

Exhaust Features..... 23

*Care and Cleaning*.....24, 25

*Troubleshooting Tips*

Before you call for service .....25, 26

*Consumer Support*

Optional Kits ..... 8

Warranty ..... 27

Consumer Support..... 28

**Owner's Manual**

*AVM4160*

*JNM3161*

*JVM3160*

*RVM5160*

**Hotpoint®**



| Artistry™ Series



*Write the model and serial numbers here:*

*Model #* \_\_\_\_\_

*Serial #* \_\_\_\_\_

You can find them on a label when the door is open.

# **IMPORTANT SAFETY INSTRUCTIONS. READ ALL INSTRUCTIONS BEFORE USING.**

When using electrical appliances basic safety precautions should be followed, including the following:

## **⚠ WARNING!**

To reduce the risk of burns, electric shock, fire, injury to persons or exposure to excessive microwave energy:

### **PRECAUTIONS TO AVOID POSSIBLE EXPOSURE TO EXCESSIVE MICROWAVE ENERGY**

- (a) **Do Not Attempt** to operate this oven with the door open since open-door operation can result in harmful exposure to microwave energy. It is important not to defeat or tamper with the safety interlocks.
- (b) **Do Not Place** any object between the oven front face and the door or allow soil or cleaner residue to accumulate on sealing surfaces.
- (c) **Do Not Operate** the oven if it is damaged. It is particularly important that the oven door close properly and that there is no damage to the:
  - (1) door (bent)
  - (2) hinges and latches (broken or loosened)
  - (3) door seals and sealing surfaces
- (d) **The Oven Should Not** be adjusted or repaired by anyone except properly qualified service personnel.

- Read all instructions before using this appliance. When using electrical appliances, basic safety precautions should be followed, including the following:
  - Read and follow the specific precautions in the Precautions to Avoid Possible Exposure to Excessive Microwave Energy section above.
  - This appliance must be grounded. Connect only to a properly grounded outlet. See the Grounding Instructions section on page 7.
  - This microwave oven is UL listed for installation over both gas (less than 60,000BTU) and electric ranges.
  - This over-the-range oven is designed for use over ranges no wider than 36." It may be installed over both gas and electric cooking equipment.
- Do not operate this appliance if it has a damaged power cord or plug, if it is not working properly, or if it has been damaged or dropped. If the power cord is damaged, it must be replaced by General Electric Service or an authorized service agent using a power cord available from General Electric.
- Install or locate this appliance only in accordance with the provided installation instructions.
- Do not clean with metal scouring pads. Pieces can burn off the pad and touch electrical parts involving risk of electric shock.

## **SAVE THESE INSTRUCTIONS**

*Use this appliance only for its intended purpose as described in this Owner's Manual.*

- To reduce the risk of fire in the oven cavity:
  - Do not overcook food. Carefully attend appliance when paper, plastic or other combustible materials are placed inside the oven while cooking.
  - Remove wire twist-ties and metal handles from paper or plastic containers before placing them in the oven.
  - Do not use the oven for storage purposes. Do not leave paper products, cooking utensils or food in the oven when not in use.
  - Do not pop popcorn in your microwave oven unless in a special microwave popcorn accessory or unless you use popcorn labeled for use in microwave ovens.
  - If materials inside the oven ignite, keep the oven door closed, turn the oven off and disconnect the power cord, or shut off power at the fuse or circuit breaker panel. If the door is opened, the fire may spread.
  - Do not use the oven to dry newspaper.
- **Thermometer**—Do not use regular cooking or oven thermometers when cooking by microwave. The metal and mercury in these thermometers could cause *arcing* and possible damage to the oven. Do not use a thermometer in food you are microwaving unless the thermometer is designed or recommended for use in the microwave oven.
- Do not store any materials, other than our recommended accessories, in this oven when not in use.
- Do not store this appliance outdoors. Do not use this product near water—for example, in a wet basement, near a swimming pool, near a sink or in similar locations.
- Keep power cord away from heated surfaces.
- Do not immerse power cord or plug in water.
- Do not block or cover any openings on the appliance.
- This microwave is not approved or tested for marine use.
- Use this appliance only for its intended use as described in this manual.
- Do not use corrosive chemicals or vapors in this appliance.
- This microwave oven is specifically designed to heat, dry or cook food, and is not intended for laboratory or industrial use.
- Some products such as whole eggs and sealed containers—for example, closed jars—are able to explode and should not be heated in this microwave oven. Such use of the microwave oven could result in injury.
- It is important to keep the area clean where the door seals against the microwave. Use only mild, non-abrasive detergents applied with a clean sponge or soft cloth. Rinse well.
- This appliance must only be serviced by qualified service personnel. Contact nearest authorized service facility for examination, repair or adjustment.
- As with any appliance, close supervision is necessary when used by children.
- Do not store anything directly on top of the microwave oven surface when the microwave oven is in operation.
- Do not mount this appliance over a sink.
- Do not let the cord hang over edge of counter.
- Do not use paper products in oven when appliance is operated in any cooking mode except microwave only.

**SAVE THESE INSTRUCTIONS**

# IMPORTANT SAFETY INSTRUCTIONS. READ ALL INSTRUCTIONS BEFORE USING.

---



## **⚠ WARNING!** **ARCING**

---

*If you see arcing, press the CANCEL/OFF button and correct the problem.*

*Arcing is the microwave term for sparks in the oven. Arcing is caused by:*

- Metal or foil touching the side of the oven.
- Turntable ring support not installed correctly.
- Foil not molded to food (upturned edges act like antennas).
- Metal, such as twist-ties, poultry pins, or gold-rimmed dishes, in the microwave.
- Recycled paper towels containing small metal pieces being used in the microwave.



## ⚠ WARNING! FOOD

- Do not pop popcorn in your microwave oven unless in a special microwave popcorn accessory or unless you use popcorn labeled for use in microwave ovens.
  - Do not boil eggs in a microwave oven. Pressure will build up inside egg yolk and will cause it to burst, possibly resulting in injury.
  - Operating the microwave with no food inside for more than a minute or two may cause damage to the oven and could start a fire. It increases the heat around the magnetron and can shorten the life of the oven.
  - Foods with unbroken outer "skin" such as potatoes, hot dogs, sausages, tomatoes, apples, chicken livers and other giblets, and egg yolks should be pierced to allow steam to escape during cooking.
  - **SUPERHEATED WATER**  
*Liquids, such as water, coffee, or tea, are able to be overheated beyond the boiling point without appearing to be boiling. Visible bubbling or boiling when the container is removed from the microwave oven is not always present. THIS COULD RESULT IN VERY HOT LIQUIDS SUDDENLY BOILING OVER WHEN THE CONTAINER IS DISTURBED OR A SPOON OR OTHER UTENSIL IS INSERTED INTO THE LIQUID.*
- To reduce the risk of injury to persons:
- Do not overheat the liquid.
  - Stir the liquid both before and halfway through heating it.
  - Do not use straight-sided containers with narrow necks.
  - After heating, allow the container to stand in the microwave oven for a short time before removing the container.
  - Use extreme care when inserting a spoon or other utensil into the container.
- Foods cooked in liquids (such as pasta) may tend to boil more rapidly than foods containing less moisture. Should this occur, refer to the Care and Cleaning of the Microwave Oven section for instructions on how to clean the inside of the oven.
  - Avoid heating baby food in glass jars, even with the lid off. Make sure all infant food is thoroughly cooked. Stir food to distribute the heat evenly. Be careful to prevent scalding when warming formula. The container may feel cooler than the formula really is. Always test the formula before feeding the baby.
  - Don't defrost frozen beverages in narrow-necked bottles (especially carbonated beverages). Even if the container is opened, pressure can build up. This can cause the container to burst, possibly resulting in injury.
  - Hot foods and steam can cause burns. Be careful when opening any containers of hot food, including popcorn bags, cooking pouches and boxes. To prevent possible injury, direct steam away from hands and face.
  - Do not overcook potatoes. They could dehydrate and catch fire, causing damage to your oven.
  - Cook meat and poultry thoroughly—meat to at least an INTERNAL temperature of 160°F and poultry to at least an INTERNAL temperature of 180°F. Cooking to these temperatures usually protects against foodborne illness.

## SAVE THESE INSTRUCTIONS

# IMPORTANT SAFETY INSTRUCTIONS. READ ALL INSTRUCTIONS BEFORE USING.



## MICROWAVE-SAFE COOKWARE

Do not operate the oven in the microwave mode without the turntable and the turntable support seated and in place. The turntable must be unrestricted so it can rotate. *Make sure all cookware used in your microwave oven is suitable for microwaving. Most glass casseroles, cooking dishes, measuring cups, custard cups, pottery or china dinnerware which does not have metallic trim or glaze with a metallic sheen can be used. Some cookware is labeled "suitable for microwaving."*

- If you are not sure if a dish is microwave-safe, use this test: Place in the oven both the dish you are testing and a glass measuring cup filled with 1 cup



*How to test for a microwave-safe dish.*

- of water—set the measuring cup either in or next to the dish. Microwave 30–45 seconds at high. If the dish heats, it should not be used for microwaving.

If the dish remains cool and only the water in the cup heats, then the dish is microwave-safe.

- Oversized food or oversized metal cookware should not be used in a microwave/convection oven because they increase the risk of electric shock and could cause a fire.
- Sometimes the oven floor, turntable and walls can become too hot to touch. Be careful touching the floor, turntable and walls during and after cooking.
- If you use a meat thermometer while microwaving, make sure it is safe for use in microwave ovens.
- Do not use recycled paper products. Recycled paper towels, napkins and waxed paper can contain metal flecks which may cause arcing or ignite. Paper products containing nylon or nylon filaments should be avoided, as they may also ignite.
- Some foam trays (like those that meat is packaged on) have a thin strip of metal embedded in the bottom. When microwaved, the metal can burn the floor of the oven or ignite a paper towel.
- Do not use your microwave oven to dry newspapers.
- Not all plastic wrap is suitable for use in microwave ovens. Check the package for proper use.
- Paper towels, waxed paper and plastic wrap can be used to cover dishes in order to retain moisture and prevent spattering while microwaving. Be sure to vent plastic wrap so steam can escape.
- Cookware may become hot because of heat transferred from the heated food. Pot holders may be needed to handle the cookware.
- When microwaving "boilable" cooking pouches and tightly closed plastic bags, they should be slit, pierced or vented as directed by package. If they are not, plastic could burst during or immediately after cooking, possibly resulting in injury. Also, plastic storage containers should be at least partially uncovered because they form a tight seal. When cooking with containers tightly covered with plastic wrap, remove covering carefully and direct steam away from hands and face.



## MICROWAVE-SAFE COOKWARE (cont.)

- Use foil only as directed in this manual. When using foil in the microwave oven, keep the foil at least 1" away from the sides of the oven.
- Plastic cookware designed for microwave cooking is very useful, but should be used carefully. Even microwave-safe plastic may not be as tolerant of overcooking conditions as are glass or ceramic materials and may soften or char if subjected to short periods of overcooking. In longer exposures to overcooking, the food and cookware could ignite.

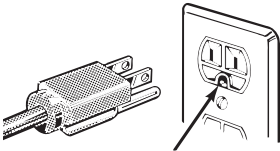
Follow these guidelines:

- 1** Use microwave-safe plastics only and use them in strict compliance with the cookware manufacturer's recommendations.
- 2** Do not microwave empty containers.
- 3** Do not permit children to use plastic cookware without complete supervision.

## **⚠** *WARNING!* *GROUNDING INSTRUCTIONS*

### *WARNING!*

*Improper use of the grounding plug can result in a risk of electric shock.*



Ensure proper ground exists before use.

This appliance must be grounded. In the event of an electrical short circuit, grounding reduces the risk of electric

shock by providing an escape wire for the electric current.

This appliance is equipped with a power cord having a grounding wire with a grounding plug. The plug must be plugged into an outlet that is properly installed and grounded.

Consult a qualified electrician or service technician if the grounding instructions are not completely understood, or if doubt exists as to whether the appliance is properly grounded.

If the outlet is a standard 2-prong wall outlet, it is your personal responsibility and obligation to have it replaced with a properly grounded 3-prong wall outlet.

Do not under any circumstances cut or remove the third (ground) prong from the power cord.

Do not use an adapter plug with this appliance.

Do not use an extension cord with this appliance. If the power cord is too short, have a qualified electrician or service technician install an outlet near the appliance.

For best operation, plug this appliance into its own electrical outlet to prevent flickering of lights, blowing of fuse or tripping of circuit breaker.

## SAVE THESE INSTRUCTIONS

# ***IMPORTANT SAFETY INSTRUCTIONS. READ ALL INSTRUCTIONS BEFORE USING.***

---

## ***THE VENT FAN***

---

The fan will operate automatically under certain conditions (see Automatic Fan feature). Take care to prevent the starting and spreading of accidental cooking fires while the vent fan is in use.

- Clean the underside of the microwave often. Do not allow grease to build up on the microwave or the fan filters.
- In the event of a grease fire on the surface units below the microwave oven, smother a flaming pan on the surface unit by covering the pan completely with a lid, a cookie sheet or a flat tray.

- Use care when cleaning the vent fan filters. Corrosive cleaning agents, such as lye-based oven cleaners, may damage the filters.
- When preparing flaming foods under the microwave, turn the fan on.
- Never leave surface units beneath your microwave oven unattended at high heat settings. Boilovers cause smoking and greasy spillovers that may ignite and spread if the microwave vent fan is operating. To minimize automatic fan operation, use adequate sized cookware and use high heat on surface units only when necessary.

## ***PACEMAKERS***

---

Most pacemakers are shielded from interference from electronic products, including microwaves. However, patients with pacemakers may wish to consult their physicians if they have concerns.

## ***OPTIONAL KITS***

---

*Available at extra cost from your GE supplier.*

### ***Filler Panel Kits***

- *JX48WH—White*
- *JX46BL—Black*

When replacing a 36" range hood, filler panel kits fill in the additional width to provide a custom built-in appearance.

For installation between cabinets only; not for end-of-cabinet installation. Each kit contains two 3" wide filler panels.

### ***Charcoal Filter Kits***

- *JX81L —Recirculating Charcoal Filter Kit*

Filter kits are used when the oven cannot be vented to the outside.

See back cover to order by phone or at [GEAppliances.com](http://GEAppliances.com).

*READ AND FOLLOW THIS SAFETY INFORMATION CAREFULLY.*

---

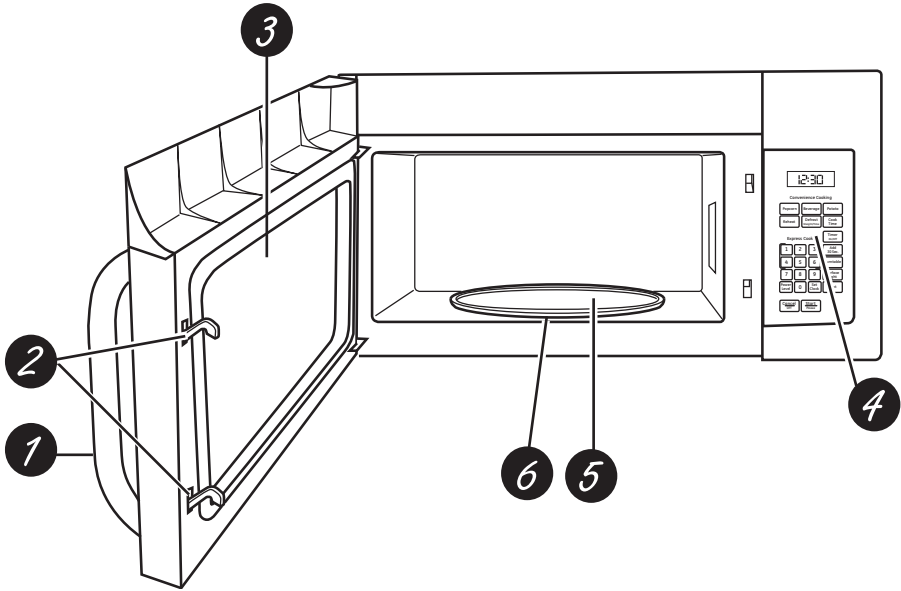
# **SAVE THESE INSTRUCTIONS**



# About the features of your oven.

GEAppliances.com

Throughout this manual, features and appearance may vary from your model.

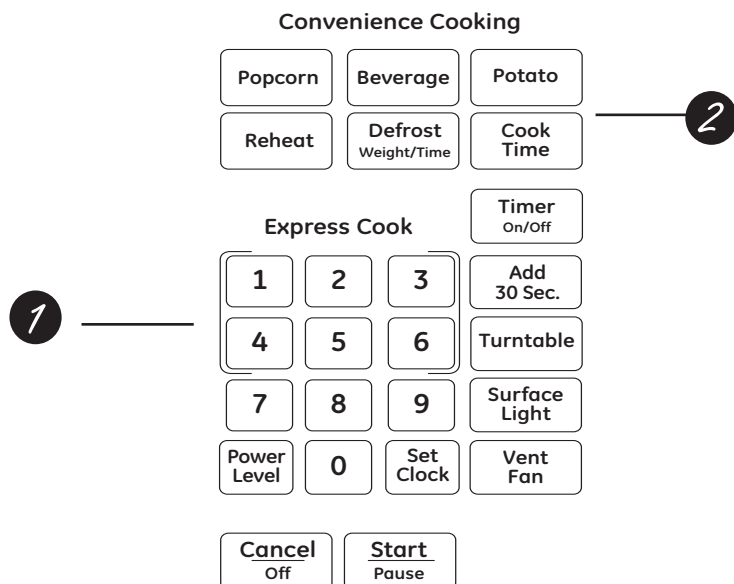


## Features of the Oven

- 1** *Door Handle.*
- 2** *Door Latches.*
- 3** *Window with Metal Shield.* Screen allows cooking to be viewed while keeping microwaves confined in the oven.
- 4** *Control Panel.*
- 5** *Removable Turntable.* Do not operate the oven in the microwave mode without the turntable and turntable support seated and in place.
- 6** *Removable Turntable Support.* Do not operate the oven in the microwave mode without the turntable and turntable support seated and in place.

# About the cooking features of your microwave oven.

Throughout this manual, features and appearance may vary from your model.



## Cooking Controls

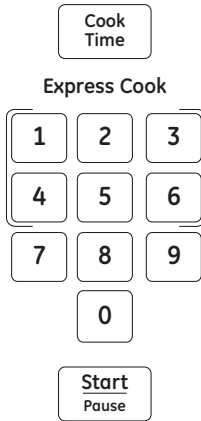
Check the Convenience Guide before you begin.

### 1 Time Features

Press	Enter
COOK TIME	Amount of cooking time
DEFROST	Weight or time
TIMER	
POWER LEVEL	Power level 1 to 10
ADD 30 SEC	Starts immediately!
EXPRESS COOK	Starts immediately!

### 2 Convenience Features

Press	Enter
POPCORN	Press pad to select serving size
REHEAT	Press pad to select food
BEVERAGE	Press pad to select serving size
POTATO	Press pad to select serving size



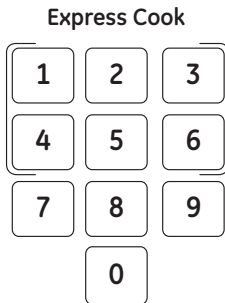
## Cook Time

Allows you to microwave for any time up to 99 minutes and 99 seconds.

**Power level 10 (HIGH)** is automatically set, but you may change it for more flexibility.

- 1 Press **Cook Time**.
- 2 Enter cooking time.
- 3 Press **START**.  
*Cooking will start when the countdown begins in the display.*

You may open the door during **Cook Time** to check the food. Close the door and press **START** to resume cooking.



## Express Cook

This is a quick way to set cooking time for 1-6 minutes.

- 1 Press one of the **Express Cook** pads (from 1-6) for 1-6 minutes of cooking at **power level 10**.  
For example, press the **2** pad for 2 minutes of cooking time.

The power level can be changed as time is counting down. Press **POWER LEVEL** and enter 1-10.

**NOTE:** Express Cook function pertains to pads 1-6 only.

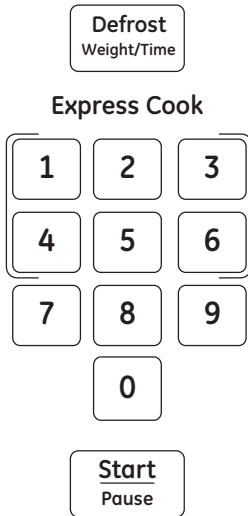


## Add 30 Sec

This will add 30 seconds to the time counting down each time the pad is pressed. Each touch will add 30 seconds, up to 99 minutes and 99 seconds.

**Add 30 sec** can also be used like an express 30 seconds button. The microwave oven will start immediately when pressed.

# About the defrost features.



## Weight Defrost

Use *Weight Defrost* for meat, poultry and fish. Use *Time Defrost* for most other frozen foods. (Time Defrost is explained on page 13.)

- 1 Press **DEFROST** once for *Weight Defrost*.
- 2 Enter the weight in pounds.
- 3 Press **START**.  
*Cooking will start when the countdown begins in the display.*

## Defrosting Tips

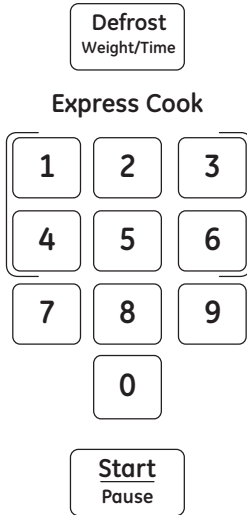
- Remove meat from package and place on microwave-safe dish.
- When the oven signals, turn the food over. Remove defrosted meat or shield warm areas with small pieces of foil.
- After defrosting, most meats need to stand 5 minutes to complete defrosting. Large roasts should stand for about 30 minutes.

## Conversion Guide

If the weight of food is stated in pounds and ounces, the ounces must be converted to tenths (.1) of a pound.

Ounces	Pounds
1-2	.1
3	.2
4-5	.3
6-7	.4
8	.5
9-10	.6
11	.7
12-13	.8
14-15	.9

Note: Max 6.0 lbs.



## Time Defrost

Allows you to defrost for a selected length of time. See the Defrosting Guide on page 14 for suggested times (*Weight Defrost* is explained on page 12).

- 1** Press **DEFROST** twice for *Time Defrost*.
- 2** Enter defrosting time in minutes and seconds.
- 3** Press **START**.  
*Cooking will start when the countdown begins in the display.*

At one half of selected defrosting time, turn food over and break apart or rearrange pieces for more even defrosting. Shield any warm areas with small pieces of foil. The oven will continue to defrost if you don't open the door and turn the food.

Noises may be heard during defrosting. This is normal when oven is not operating at *High* power.

## Defrosting Tips

- Foods frozen in paper or plastic can be defrosted in the package. Closed packages should be slit, pierced or vented **AFTER** food has partially defrosted. Plastic storage containers should be partially uncovered.
- Family-size, prepackaged frozen dinners can be defrosted and microwaved. If the food is in a foil container, transfer it to a microwave-safe dish.
- Foods that spoil easily should not be allowed to sit out for more than one hour after defrosting. Room temperature promotes the growth of harmful bacteria.
- For more even defrosting of larger foods, such as roasts, use *Time Defrost*. Be sure large meats are completely defrosted before cooking.
- When defrosted, food should be cool but softened in all areas. If still slightly icy, return to the microwave very briefly, or let it stand a few minutes.

# About the defrost features.

## Defrosting Guide

<i>FOOD</i>	<i>TIME</i>	<i>COMMENTS</i>
<b>Bread, Cakes</b> <i>Bread, buns, or rolls</i> (1 piece) <i>Sweet rolls</i> (approx. 12 oz)	1/4 min. 2 to 4 min.	Rearrange after half the time
<b>Fish and Seafood</b> <i>Filletts, Frozen</i> (1 lb)	6 to 9 min.	
<b>Fruit</b> <i>Plastic Pouch - 1 or 2</i> (10 oz package)	1 to 5 min.	
<b>Meat</b> <i>Bacon</i> (1 lb)	2 to 5 min.	Place unopened package in oven. Let stand 5 minutes after defrosting.
<i>Franks</i> (1 lb)	2 to 5 min.	Place unopened package in oven. Microwave just until franks can be separated. Let stand 5 minutes, if necessary, to complete defrosting.
<i>Ground meat</i> (1 lb)	4 to 6 min.	Turn meat over after first half of time.
<i>Roast: beef, lamb, veal, pork</i>	9 to 13 min. per lb.	Use power level 10.
<i>Steaks, chops and cutlets</i>	4 to 8 min. per lb.	Place unwrapped meat in cooking dish. Turn over after first half of time and shield warm areas with foil. After second half of time, separate pieces with table knife. Let stand to complete defrosting.
<b>Poultry</b> <i>Chicken, broiler-fryer, cut up</i> (2½ to 3 lbs.)	14 to 20 min.	Place wrapped chicken in dish. Unwrap and turn over after first half of time. After second half of time, separate pieces and place in cooking dish. Microwave 2 to 4 minutes more, if necessary. Let stand a few minutes to finish defrosting.
<i>Chicken, whole</i> (2½ to 3 lbs.)	20 to 25 min.	Place wrapped chicken in dish. After half the time, unwrap and turn chicken over. Shield warm areas with foil. To complete defrosting, run cold water in the cavity until giblets can be removed.
<i>Ground meat</i> (1 lb)	7 to 13 min. per lb.	Place unwrapped hen in the oven breast-side up. Turn over after first half of time. Run cool water in the cavity until giblets can be removed.
<i>Turkey breast</i> (4 to 6 lbs.)	3 to 8 min. per lb.	Place unwrapped breast in microwave-safe dish breast-side down. After first half of time, turn breast-side up and shield warm areas with foil. Defrost for second half of time. Let stand 1 to 2 hours in refrigerator to complete defrosting.

## Popcorn

### Popcorn

To use the **Popcorn** feature:

- 1 Press the **POPCORN** button once for 2.0 ounce bag, twice for 2.5 ounce bag, or three times for a 3.0 ounce bag.
- 2 Press **START**.

*Cooking will start when the countdown begins in the display.*

*You can not change the selection or quantity after the feature has started.*

If food is undercooked after the countdown, use **Cook Time** for additional cooking time. We recommend 30 seconds and watch carefully.

*Use only with prepackaged microwave popcorn weighing 2.0 to 3.0 ounces.*

**NOTE: Do not use this feature twice in succession on the same food portion—it may result in severely overcooked or burnt food.**

## Reheat

### Reheat

The **Reheat** feature reheats servings of previously cooked foods or a plate of leftovers.

Place the cup of liquid or covered food in the oven.

- 1 Press the **REHEAT** button up to six times to choose the correct selection.  
Press once for a pizza.  
Press twice for vegetables.  
Press three times for a plate of leftovers.  
Press four times for soup.  
Press five times for meat.  
Press six times for pasta.
- 2 Press the reheat pad again after food type has been entered in order to select quantity.
- 3 Press **START**.

*Cooking will start when the countdown begins in the display.*

*After removing food from the oven, stir, if possible, to even out the temperature. Reheated foods may have wide variations in temperature. Some areas of food may be extremely hot.*

If food is not hot enough after the countdown use **Cook Time** for additional reheating time.

#### **Some Foods Not Recommended for Use With Reheat**

It is best to use **Cook Time** for these foods:

- Bread products.
- Foods that must be reheated uncovered.
- Foods that need to be stirred or rotated.
- Foods calling for a dry look or crisp surface after reheating.

**NOTE: Do not use this feature twice in succession on the same food portion—it may result in severely overcooked or burnt food.**

# About the convenience features.

---

## Beverage

### Beverage

Use the **Beverage** feature to heat various amounts of liquids measured in ounces: Place the liquid into the microwave oven.

4 oz.	1/2 cup
8 oz.	1 cup
12 oz.	1-1/2 cups
16 oz.	2 cups

- 1 Press the **Beverage** button up to four times to choose the correct selection.  
Press once for a 4 ounce beverage.  
Press twice for a 8 ounce beverage.  
Press three times for a 12 ounce beverage.  
Press four times for a 16 ounce beverage.

- 2 Press **START**.  
*Cooking will start when the countdown begins in the display.*

## Potato

### Potato

To use the **Potato** feature:  
Place the potato(es) into the oven.

- 1 Press the **Potato** button up to four times to choose the correct selection.  
Press once for 1 item.  
Press twice for 2 items.  
Press three times for 3 items.  
Press four times for 4 items.

- 2 Press **START**.  
*Cooking will start when the countdown begins in the display.*

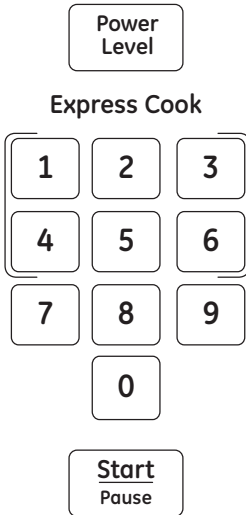
**NOTE: Do not use this feature twice in succession on the same food portion. It may result in severely overcooked or burnt food.**

# Microwave terms.

---

Term	Definition
<b>Arcing</b>	Arcing is the microwave term for sparks in the oven. Arcing is caused by: <ul style="list-style-type: none"><li>• metal or foil touching the side of the oven.</li><li>• foil that is not molded to food (upturned edges act like antennas).</li><li>• metal such as twist-ties, poultry pins, gold-rimmed dishes.</li><li>• recycled paper towels containing small metal pieces.</li></ul>
<b>Covering</b>	Covers hold in moisture, allow for more even heating and reduce cooking time. Venting plastic wrap or covering with wax paper allows excess steam to escape.
<b>Shielding</b>	In a regular oven, you shield chicken breasts or baked foods to prevent over-browning. When microwaving, you use small strips of foil to shield thin parts, such as the tips of wings and legs on poultry, which would cook before larger parts.
<b>Standing Time</b>	When you cook with regular ovens, foods such as roasts or cakes are allowed to stand to finish cooking or to set. Standing time is especially important in microwave cooking. Note that a microwaved cake is not placed on a cooling rack.
<b>Venting</b>	After covering a dish with plastic wrap, vent the plastic wrap by turning back one corner so excess steam can escape.





## 6 Press **START**.

Variable power levels add flexibility to microwave cooking. The power levels on the microwave oven can be compared to the surface units on a range. Each power level gives you microwave energy a certain percent of the time. **Power level 7** is microwave energy 70% of the time. **Power level 3** is energy 30% of the time. Most cooking will be done on High (power level 10) which gives you 100% power. **Power level 10** will cook faster but food may need more frequent stirring, rotating or turning over. A lower setting will cook more evenly and need less stirring or rotating of the food. Some foods may have better flavor, texture or appearance if one of the lower settings is used. Use a lower power level when cooking foods that have a tendency to boil over, such as scalloped potatoes and some casseroles.

Rest periods (when the microwave energy cycles off) give time for the food to "equalize" or transfer heat to the inside of the food. An example of this is shown with **Power level 3**—the defrost cycle. If microwave energy did not cycle off, the outside of the food would cook before the inside was defrosted.

*Here are some examples of uses for various power levels:*

**High 10 (100%):** Fish, bacon, vegetables, boiling liquids.

**Med-High 7 (70%):** Gentle cooking of meat and poultry; baking casseroles and reheating.

**Medium 5 (50%):** Slow cooking and tenderizing for stews and less tender cuts of meat.

**Low 2 or 3 (20 or 30%):** Defrosting; simmering; delicate sauces.

**Warm 1 (10%):** Keeping food warm; softening butter.

**NOTE:** You can also change the power level during many cooking modes by pressing the power level button entering a valid power level.

## Changing the Power Level

The power level may be entered or changed before or during cooking. **Power Level** is set for Level 10 (High) unless it is changed.

- 1 Press **Power Level** button.
- 2 Enter new power level by using the number pads or press the **Power Level** button multiple times until you find the level you want.
- 3 After you have selected the power level, wait five seconds. The display will go back to the **Cook Time** screen.
- 4 Enter cooking time and press **START**.

OR

- 1 Press **Cook Time** button.
- 2 Enter your cooking time.
- 3 Press **Power Level** button.
- 4 Enter new power level by using the number pads or press the **Power Level** button multiple times until you find the level you want.
- 5 After you have selected the power level, wait five seconds. The display will go back to the **Cook Time (Enter Time)** screen.

## About the other features.

---

**Set  
Clock**

### *Clock*

To change the time of day.

- 1** Press the *Set Clock* button. (The microwave should not be running.)
- 2** Enter the appropriate time of day. Clock is on a 12-hour scale.
- 3** Press *Set Clock* or *Start* to accept the time.

**Start  
Pause**

### *Start/Pause*

In addition to starting many functions, *START/PAUSE* allows you to stop cooking without opening the door or clearing the display and resume cooking later.

**Cancel  
Off**

### *Cancel/Off*

Press the *CANCEL/OFF* button to stop and cancel cooking at any time.

**Cancel  
Off**

### *Control Lock-Out*

You may lock the control panel to prevent the oven from being accidentally started during cleaning or being used by children.

To lock or unlock the controls, press and hold the *CANCEL/OFF* button for three seconds. When the control panel is locked, *LOCKED* will be displayed briefly anytime a button or dial is pressed. "L" will show in the display.

**Surface  
Light**

### *Surface Light*

Press *SURFACE LIGHT* once for bright light, twice for the night light or a third time to turn the light off.



**NOTE:** The *Timer* indicator will be lit while the timer is operating.

### *Timer*

The *Timer* operates as a minute timer and can be used at any time, even when the oven is operating.

- 1** Press the *Timer* button.
- 2** Enter a time.
- 3** Press the *Timer 3 Start* button to start.

To cancel, press the *Timer* button or *Cancel* button.

**NOTE:** If you press the *Cancel* button to cancel the timer and you are cooking at the same time, it will cancel your cooking selection also.

When time is up, the oven will signal.

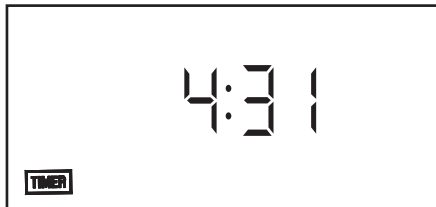
To turn off the timer signal, press *Timer* or *Cancel*

### *Display*



If you have the Timer counting down and you are using the Cook Time at the same time, you can change the display to show either the timer or the cook time countdown.

If the display shows the time for the Timer and you would like to view the Cook Time, press the *COOK TIME* button.



If the display shows the time for the Cook Time and you would like to view the Timer, press the *TIMER* button

## About the other features.

---

### Turntable

#### *Turntable*

For best cooking results, leave the turntable on. It can be turned off for large dishes.

Press the *Turntable* pad once to turn the turntable off. Press again to turn the turntable back on.

Sometimes the turntable can become too hot to touch. Be careful touching the turntable during and after cooking.

Turntable can be turned off during the *Cook Time* or *Express Cook* features by pressing the *Turntable* pad. **Note:** At the conclusion of the *Cook Time* and *Express Cook* features, the turntable will automatically return to ON.

### Vent Fan

#### *Vent Fan*

The vent fan removes steam and other vapors from surface cooking.

Press *Vent Fan* once for high fan speed, twice for low fan speed or three times to turn the fan off.

#### *Automatic Fan*

An automatic fan feature protects the microwave from too much heat rising from the cooktop below it. It automatically turns on if it senses too much heat.

If you have turned the fan on you may find that you cannot turn it off. The fan will automatically turn off when the internal parts are cool. It may stay on for 30 minutes or more after the cooktop and microwave controls are turned off.

#### *Insert Food Reminder*

A reminder will show on the display if the user tries to start the cooking cycle without placing food inside the microwave oven within 5 minutes prior to starting the cooking cycle.

#### *Cooking Complete Reminder*

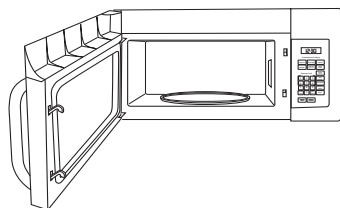
To remind you that you have food in the oven, the oven will display "Food is ready" and beep once a minute until you either open the oven door or press the *CANCEL/OFF* button.



## Helpful Hints

An occasional thorough wiping with a solution of baking soda and water keeps the inside fresh.

*Be sure the power is off before cleaning any part of this microwave oven.*



## How to Clean the Inside

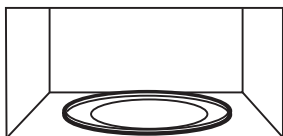
### *Walls, Floor, Inside Window, Metal and Plastic Parts on the Door*

Some spatters can be removed with a paper towel; others may require a damp cloth. Remove greasy spatters with a sudsy cloth, then rinse with a damp cloth. Do not use abrasive cleaners or sharp utensils on oven walls.

*Never use a commercial oven cleaner on any part of your microwave.*

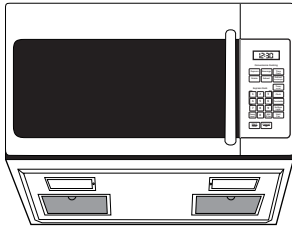
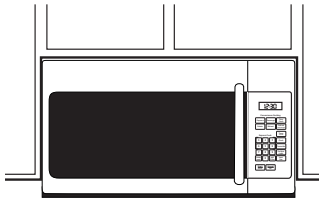
### *Removable Turntable and Turntable Support*

To prevent breakage, do not place the turntable into water just after cooking. Wash it carefully in warm, sudsy water or in the dishwasher. The turntable and support can be broken if dropped. Remember, do not operate the oven in the microwave mode without the turntable and support seated and in place.



## Care and cleaning of the oven.

---



### **How to Clean the Outside**

*We recommend against the use of spray cleaners and using cleaners with ammonia or alcohol, as they can damage the appearance of the microwave oven. If you choose to use a common household cleaner, first apply the cleaner directly to a clean cloth, then wipe the soiled area.*

#### **Case**

Clean the outside of the microwave with a sudsy cloth. Rinse and then dry. Wipe the window clean with a damp cloth.

#### **Control Panel**

Wipe with a damp cloth. Dry thoroughly. Do not use cleaning sprays, large amounts of soap and water, abrasives or sharp objects on the panel—they can damage it. Some paper towels can also scratch the control panel.

#### **Door Panel**

Before cleaning the front door panel, make sure you know what type of panel you have. Refer to the eighth digit of the model number. "S" is stainless steel "B", "W" or "C" are plastic colors.

#### **Stainless Steel (on some models)**

The stainless steel panel can be cleaned with Stainless Steel Magic or a similar product using a clean, soft cloth. Apply stainless cleaner carefully to avoid the surrounding plastic parts. Do not use appliance wax, polish, bleach or products containing chlorine on Stainless Steel finishes.

#### **Plastic Color Panels**

Use a clean, soft, lightly dampened cloth, then dry thoroughly.

#### **Door Seal**

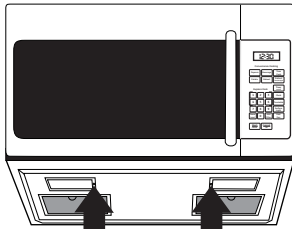
It's important to keep the area clean where the door seals against the microwave. Use only mild, non-abrasive detergents applied with a clean sponge or soft cloth. Rinse well.

#### **Bottom**

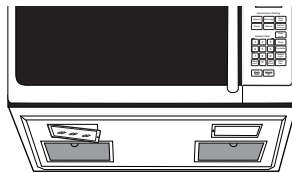
Clean off the grease and dust on the bottom often. Use a solution of warm water and detergent.

## Replacing the light bulb.

GEAppliances.com



Remove screws.



### Cooktop Lights/Nite Lights

Replace with 120 volt, 40 watt (max) incandescent bulbs. Order WB25X10030 from your GE supplier.

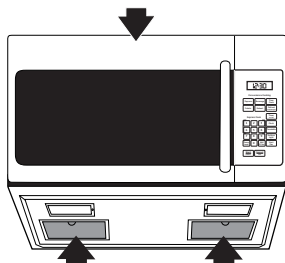
- 1** To replace the cooktop lights/nite lights, first disconnect the power at the main fuse or circuit breaker panel, or pull the plug.
- 2** One side at a time, remove the screw from the side of the light compartment cover and lower the cover until it stops.
- 3** Be sure the bulb is cool before removing. Break the adhesive seal by gently unscrewing the bulb.
- 4** Screw in the new bulb, then raise the light cover and replace the screw. Repeat for the other light. Connect electrical power to the oven.

### Replacing the Oven Cavity Lamp

1. Disconnect power at the main fuse or circuit breaker panel.
2. Remove the top grill by removing the two screws that hold it in place.
3. Remove charcoal filter if present. **NOTE:** Charcoal filter is an optional kit, you may not have one.
4. Press the retainer holding the lamp shield in place.
5. Pull the lamp shield out. Unscrew the light bulb out and replace with the 120V-130V, 30W incandescent bulb. Order WB25X10029 from your GE supplier.
6. Return the lamp and lamp shield to original position and replace charcoal filter.
7. Replace the grill and 2 screws. Reconnect power to the oven.

## About the exhaust feature.

Charcoal filter (on some models).



Reusable vent filters  
(on all models).

### Vent Fan

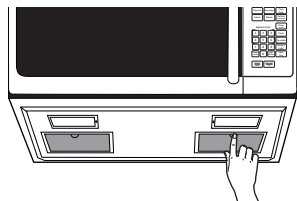
The vent fan has two metal reusable vent filters. Models that recirculate air back into the room also use a charcoal filter.

### Reusable Vent Filters

The metal filters trap grease released by foods on the cooktop. They also prevent flames from foods on the cooktop from damaging the inside of the oven.

For this reason, the filters must always be in place when the hood is used. The vent filters should be cleaned once a month, or as needed.

## Care and cleaning of the oven.



### Removing and Cleaning the Filters

*To remove*, slide them to the rear using the tabs. Pull down and out.

To clean the vent filters, soak them and then swish around in hot water and detergent. Don't use ammonia or ammonia products because they will darken the metal. Light brushing can be used to remove embedded dirt.

Rinse, shake and let dry before replacing.

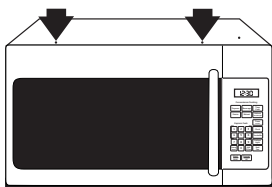
*To replace*, slide the filters into the frame slots on the back of each opening. Press up and to the front to lock into place.

### Charcoal Filter

*The charcoal filter cannot be cleaned. It must be replaced. Order Part No. WB02X11550 from your GE supplier.*

If the model is not vented to the outside, the air will be recirculated through a disposable charcoal filter that helps remove smoke and odors.

The charcoal filter should be replaced when it is noticeably dirty or discolored (usually after 6 to 12 months, depending on usage). See "Optional Kits," page 8, for more information.



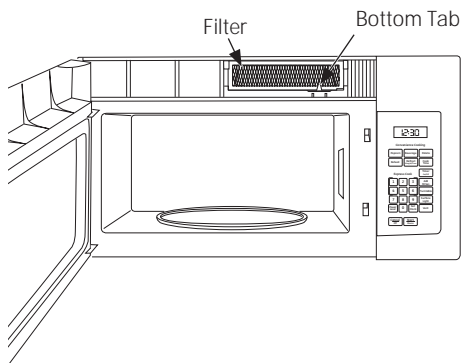
Remove 2 grille screws to remove the grille.

### To Remove the Charcoal Filter

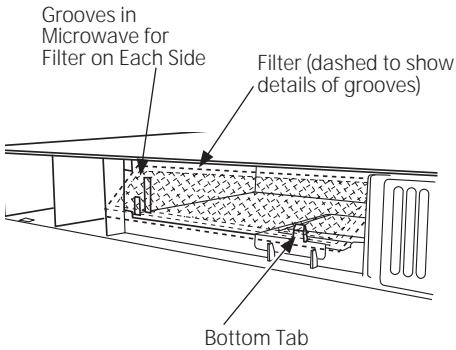
*To remove the charcoal filter*, first disconnect power at the main fuse or circuit breaker, or pull the plug. Remove the top grille by removing only the two screws that hold it in place, as shown.

You may need to open the cabinet doors to remove the screws.

Press back on the top of the filter with both hands until the filter lays down almost horizontal. Lift the filter at the bottom until it comes free of the tabs. Slide the filter down and out.







How to install charcoal filter, here is video instruction.

<http://www.geappliances.com/videos/microwave-troubleshooting-fix.htm>

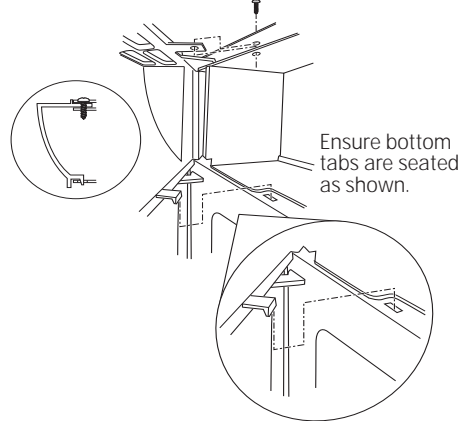


Use your smartphone app to scan this code.

## To Install the Charcoal Filter

To install a new charcoal filter, remove plastic and other outer wrapping from the new filter.

Insert the top of the filter up and into the grooves on both sides of the inside of the top opening. Once you have cleared the bottom tab, push the bottom of the filter in until it rests in place vertically behind the tab.



## Before you call for service....

### Things That Are Normal With Your Microwave Oven

- Moisture on the oven door and walls while cooking. Wipe the moisture off with a paper towel or soft cloth.
- Moisture between the oven door panels when cooking certain foods. Moisture should dissipate shortly after cooking is finished.
- Steam or vapor escaping from around the door.
- Light reflection around door or outer case.
- Dimming oven light and change in the blower sound at power levels other than high.
- Noises while oven is operating.
- TV-radio interference might be noticed while using the microwave. Similar to the interference caused by other small appliances, it does not indicate a problem with the microwave. Plug the microwave into a different electrical circuit, move the radio or TV as far away from the microwave as possible or check the position and signal of the TV/radio antenna.

## Before you call for service....



### Troubleshooting Tips

Save time and money! Review the charts on the following pages first and you may not need to call for service.

<i>Problem</i>	<i>Possible Cause</i>	<i>What To Do</i>
<i>Oven will not start</i>	A fuse in your home may be blown or the circuit breaker tripped.	<ul style="list-style-type: none"> <li>• Replace fuse or reset circuit breaker.</li> </ul>
	Power surge.	<ul style="list-style-type: none"> <li>• Unplug the microwave oven, then plug it back in.</li> </ul>
	Plug not fully inserted into wall outlet	<ul style="list-style-type: none"> <li>• Make sure the 3-prong plug on the oven is fully inserted into wall outlet.</li> </ul>
	Door not securely closed.	<ul style="list-style-type: none"> <li>• Open the door and close securely.</li> </ul>
<i>Control panel lighted, yet oven will not start</i>	Door not securely closed.	<ul style="list-style-type: none"> <li>• Open the door and close securely.</li> </ul>
	START/PAUSE button not pressed after entering cooking selection.	<ul style="list-style-type: none"> <li>• Press <b>START/PAUSE</b>.</li> </ul>
	Another selection entered already in oven and CANCEL/OFF button not pressed to cancel it.	<ul style="list-style-type: none"> <li>• Press <b>CANCEL/OFF</b>.</li> </ul>
	Cooking time not entered after pressing COOK TIME	<ul style="list-style-type: none"> <li>• Make sure you have entered cooking time after pressing <b>COOK TIME</b>.</li> </ul>
<i>CONTROL LOCKED appears on display</i>	CANCEL/OFF was pressed accidentally.	<ul style="list-style-type: none"> <li>• Reset cooking program and press <b>START/PAUSE</b>.</li> </ul>
	The control has been locked.	<ul style="list-style-type: none"> <li>• Press and hold <b>CANCEL/OFF</b> for about 3 seconds to unlock the control.</li> </ul>
<i>Floor of the oven is warm even when the oven has not been used</i>	The cooktop light is located below the oven floor. When light is on, the heat it produces may make the oven floor get warm.	<ul style="list-style-type: none"> <li>• This is normal.</li> </ul>
<i>You hear an unusual low-tone beep</i>	You have tried to change the power level when it is not allowed	<ul style="list-style-type: none"> <li>• Many of the oven's features are preset and cannot be changed.</li> </ul>
<i>Vent fan comes on automatically</i>	The vent fan automatically turns on to protect the microwave if it senses too much heat rising from the cooktop below.	<ul style="list-style-type: none"> <li>• This is normal.</li> </ul>

# GE Microwave Oven Warranty.

GEAppliances.com



All warranty service provided by our Factory Service Centers, or an authorized Customer Care® technician. To schedule service, online, contact us at GEAppliances.com, or call 800.GE.CARES (800.432.2737). Please have serial and model numbers available when calling for service.

Staple your receipt here. Proof of the original purchase date is needed to obtain service under the warranty.

For The Period Of:	GE Will Choose to Replace or Service:
<b>One Year</b> From the date of original purchase	In the event of service, GE will provide any part of the microwave oven which fails due to a defect in materials or workmanship. From the date of the During this <b>limited one-year warranty</b> , GE will also provide, <b>free of charge</b> , all labor and <b>original purchase</b> related service costs to replace the defective part when the unit is serviced.

## What GE Will Not Cover:

- Service trips to your home to teach you how to use the product.
- Improper installation, delivery or maintenance. If you have an installation problem, contact your dealer or installer. You are responsible for providing adequate electrical, exhausting, and other connecting facilities.
- Failure of the product or damage to the product if it is abused, misused (for example, cavity arcing from wire rack or metal/foil), or used for other than the intended purpose or used commercially.
- Replacement of house fuses or resetting of circuit breakers.
- Damage to the product caused by accident, fire, floods or acts of God.
- Incidental or consequential damage caused by possible defects with this appliance.
- Damage caused after delivery.
- Product not accessible to provide required service.
- Service to repair or replace light bulbs, except for LED lamps.
- Damage to the finish, such as surface rust, tarnish, or small blemishes not reported within 48 hrs of delivery.

**EXCLUSION OF IMPLIED WARRANTIES—Your sole and exclusive remedy is product exchange as provided in this Limited Warranty. Any implied warranties, including the implied warranties of merchantability or fitness for a particular purpose, are limited to one year or the shortest period allowed by law.**

This warranty is extended to the original purchaser and any succeeding owner for products purchased for home use within the USA. If the product is located in an area where service by a GE Authorized Servicer is not available, you may be responsible for a trip charge or you may be required to bring the product to an Authorized GE Service Location for service. In Alaska, the warranty excludes the service calls to your home.

Some states do not allow the exclusion or limitation of incidental or consequential damages. This warranty gives you specific legal rights, and you may also have other rights which vary from state to state. To know what your legal rights are, consult your local or state consumer affairs office or your state's Attorney General.

**Warrantor: General Electric Company. Louisville, KY 40225**

# Consumer Support.

---



## GE Appliances Website

[GEAppliances.com](http://GEAppliances.com)

Have a question or need assistance with your appliance? Try the GE Appliances Website 24 hours a day, any day of the year! For greater convenience and faster service, you can now download Owner's Manuals, order parts, catalogs, or even schedule service on-line. You can also "Ask Our Team of Experts™" your questions, and so much more...



## Schedule Service

[GEAppliances.com](http://GEAppliances.com)

Expert GE repair service is only one step away from your door. Get on-line and schedule your service at your convenience any day of the year! Or call 800.GE.CARES (800.432.2737) during normal business hours.



## Real Life Design Studio

[GEAppliances.com](http://GEAppliances.com)

GE supports the Universal Design concept—products, services and environments that can be used by people of all ages, sizes and capabilities. We recognize the need to design for a wide range of physical and mental abilities and impairments. For details of GE's Universal Design applications, including kitchen design ideas for people with disabilities, check out our Website today ([GEAppliances.com](http://GEAppliances.com)). For the hearing impaired, please call 800.TDD.GEAC (800.833.4322).



## Extended Warranties

[GEAppliances.com](http://GEAppliances.com)

Purchase a GE extended warranty and learn about special discounts that are available while your warranty is still in effect. You can purchase it on-line anytime, or call 800.626.2224 during normal business hours. GE Consumer Home Services will still be there after your warranty expires.



## Parts and Accessories

[GEApplianceParts.com](http://GEApplianceParts.com)

Individuals qualified to service their own appliances can have parts or accessories sent directly to their homes (VISA, MasterCard and Discover cards are accepted). Order on-line today, 24 hours every day or by phone at 800.626.2002 during normal business hours.

*Instructions contained in this manual cover procedures to be performed by any user. Other servicing generally should be referred to qualified service personnel. Caution must be exercised, since improper servicing may cause unsafe operation.*



## Contact Us

[GEAppliances.com](http://GEAppliances.com)

If you are not satisfied with the service you receive from GE, contact us on our Website with all the details including your phone number, or write to:

General Manager, Customer Relations  
GE Appliances, Appliance Park  
Louisville, KY 40225



## Register Your Appliance

[GEAppliances.com](http://GEAppliances.com)

**Register your new appliance on-line at your convenience!** Timely product registration will allow for enhanced communication and prompt service under the terms of your warranty, should the need arise. You may also mail in the pre-printed registration card included in the packing material.



# Horno Microondas

*Instrucciones de seguridad* ..... 2-8

*Instrucciones de Funcionamiento*

Funciones del Horno ..... 9  
 Controles ..... 10  
 Funciones del Temporizador ..... 11  
 Funciones de Descongelación .. 12-14  
 Funciones Convenientes ..... 15, 16  
 Términos del Microondas ..... 16  
 Niveles de Energía ..... 17  
 Otras Funciones ..... 18-20  
 Reemplazo de la Lámpara ..... 23  
 Funciones de Escape ..... 23

*Cuidado y Limpieza* ..... 24, 25

*Consejos para la Solución de Problemas*

Antes de solicitar el servicio técnico ..... 25, 26

*Soporte al Cliente*

Kits Opcionales ..... 8  
 Garantía ..... 27  
 Soporte al Cliente ..... 28

*Manual del Propietario*

*AVM4160*  
*JNM3161*  
*JVM3160*  
*RVM5160*

**Hotpoint®**



| Artistry™ Series



*Escriba los números de modelo y de serie aquí:*

*Nº de Modelo* \_\_\_\_\_

*Nº de Serie* \_\_\_\_\_

Los encontrará en una etiqueta cuando abra la puerta.

# INSTRUCCIONES IMPORTANTES DE SEGURIDAD LEA TODAS LAS INSTRUCCIONES ANTES DE USAR.

Al usar artefactos eléctricos se deberán seguir las precauciones básicas de seguridad, incluyendo lo siguiente:

## **⚠ ¡ADVERTENCIA!**

A fin de reducir el riesgo de quemaduras, descargas eléctricas, incendios, lesiones en personas, o exposición a excesos de energía de microondas:

### **PRECAUCIONES PARA EVITAR UNA POSIBLE EXPOSICIÓN A ENERGÍA EXCESIVA DE MICROONDAS**

- (a) **No Intente** usar este horno con la puerta abierta, ya que esto podrá producir una exposición peligrosa a la energía de microondas. Es importante no forzar los bloqueos de seguridad.
- (b) **No Coloque** ningún objeto entre la cara frontal del horno y la puerta, ni permita que se acumule tierra ni residuos de limpiadores en las superficies selladas.
- (c) **No Utilice** el horno si se encuentra dañado. Es especialmente importante que la puerta del horno se cierre de
- forma adecuada y que no se dañe lo siguiente:
- (1) puerta (doblada)
  - (2) bisagras y pestillos (rotos o sueltos)
  - (3) juntas de la puerta y superficies selladas
- (d) **El Horno No Debe** ser reparado por ninguna persona excepto personal calificado del servicio de reparaciones.

- Lea todas las instrucciones antes de usar este electrodoméstico. Al usar artefactos eléctricos se deberán seguir precauciones básicas de seguridad, incluyendo lo siguiente:
- Lea y siga las precauciones específicas en la sección Precauciones para Evitar una Posible Exposición a una Excesiva Energía de Microondas a continuación.
- Este electrodoméstico deberá contar con conexión a tierra. Conecte sólo a un tomacorriente con la adecuada conexión a tierra. Consulte la sección Instrucciones de Conexión a Tierra en la página 6.
- Este horno microondas figura en la lista de UL para su posible instalación tanto en estufas a gas (menos de 60,000 BTU) como eléctricas.
- Este horno sobre la estufa está diseñado para ser usado sobre estufas de un ancho no superior a 36". Puede ser instalado tanto sobre equipamiento de cocción a gas como eléctrico.
- No utilice este electrodoméstico si posee un cable o enchufe dañado, si no está funcionando correctamente, o si fue dañado o sufrió una caída. Si el cable de corriente está dañado, deberá ser reemplazado por el Servicio Técnico de General Electric o por un agente del servicio autorizado, utilizando un cable de corriente de General Electric disponible
- Instale o coloque el electrodoméstico sólo de acuerdo con las instrucciones de instalación provistas.
- No limpie con almohadillas metálicas para fregar. Las piezas podrán quemar la almohadilla y tener contacto con partes eléctricas y producir riesgos de descargas eléctricas.

*Use este electrodoméstico sólo para su propósito original, como se describe en el Manual del Propietario.*

- Para reducir el riesgo de incendio en la cavidad del horno:
  - No cocine en exceso la comida. Preste especial atención cuando se coloque papel, plástico u otros materiales combustibles dentro del horno mientras se cocina.
  - Elimine cualquier torcedura del cable y asas metálicas de los envases de papel o plástico antes de colocar estos en el horno.
  - No use el horno con el propósito de guardar cosas. No deje productos de papel, utensilios de cocina ni comida en el horno cuando no esté en uso.
  - No prepare palomitas de maíz en el horno microondas, a menos que se encuentren en un accesorio especial de palomitas de maíz para microondas o que el envoltorio de las palomitas de maíz posea una etiqueta que indique que se pueden preparar en el horno microondas.
  - Si los materiales dentro del horno se prenden fuego, mantenga la puerta del horno cerrada, apague el mismo y desconecte el cable de la corriente, o corte la corriente del fusible o el disyuntor. Si se abre la puerta, el fuego se podrá esparcir.
  - No use el horno para secar el periódico.
- **Termómetro**—No use termómetros para cocción regular o para horno al cocinar con microondas. El metal y el mercurio de estos termómetros podrían ocasionar *arcos eléctricos* y posibles daños sobre el horno. No use un termómetro en la comida que está cocinando por microondas, a menos que el termómetro esté diseñado o se recomiende para su uso en el horno microondas.
- No guarde ningún material, a excepción de nuestros accesorios recomendados, en este horno cuando no esté en uso.
- No guarde este electrodoméstico al aire libre. No use este producto cerca del agua; por ejemplo, en un sótano húmedo, cerca de una piscina, cerca de un lavabo o en ubicaciones similares.
- Mantenga el cable de corriente alejado de superficies calientes.
  - No sumerja el cable de corriente o el enchufe en el agua.
  - No cubra ni bloquee ninguna apertura del electrodoméstico.
  - Este horno microondas no está aprobado ni evaluado para uso marino.
  - Dé a este electrodoméstico el uso para el cual fue diseñado únicamente, como se describe en este manual.
  - No use productos químicos corrosivos ni vapores en este electrodoméstico.
  - Este horno microondas fue diseñado específicamente para calentar, secar o cocinar comida, y no para uso industrial o de laboratorio.
  - Algunos productos tales como huevos enteros y envases sellados – por ejemplo: tarros de vidrio cerrados – pueden explotar y por esto no se deben calentar en el horno microondas. Dicho uso del horno microondas podrá producir lesiones.
  - Es importante mantener el área limpia donde la puerta se selle contra el horno microondas. Use sólo detergentes suaves y no abrasivos con una esponja limpia o tela suave. Enjuague bien.
  - Este electrodoméstico sólo debe ser reparado por personal calificado del servicio técnico. En caso de necesitar una evaluación, reparación o ajuste, comuníquese con el servicio autorizado más cercano.
  - Al igual que con cualquier electrodoméstico, se deberá realizar una supervisión de cerca si es usado por niños.
  - No guarde nada directamente sobre la superficie superior del horno microondas cuando el mismo se encuentre funcionando.
  - No monte el electrodoméstico sobre un lavabo.
  - No permita que el cable se sostenga sobre el extremo de la mesada.
  - No use productos de papel en el horno cuando el electrodoméstico sea usado en cualquier modo de cocción, excepto en cocción por microondas.

# GUARDE ESTAS INSTRUCCIONES

# INSTRUCCIONES IMPORTANTES DE SEGURIDAD LEA TODAS LAS INSTRUCCIONES ANTES DE USAR.

---



## ⚠ ¡ADVERTENCIA! ARCO ELÉCTRICO

---

Si observa arcos eléctricos, presione la tecla **CLEAR/ OFF (Borrar/ Apagar)** y corrija el problema.

*Arco eléctrico es el término que se usa para definir la producción de chispas en el horno microondas. Los arcos eléctricos son producidos por:*

- Metal o papel de aluminio en contacto con el costado del horno.
- Soporte del anillo giratorio no instalado correctamente.
- Papel de aluminio no moldeado a la comida (los extremos no doblados actúan como antenas).
- Metales, tales como precintos, pinchos de ave, o platos con rebordes dorados, en el microondas.
- Toallas de papel reciclable que contengan pequeños trozos de metal usados en el microondas.





## ⚠ ¡ADVERTENCIA! COMIDA

- No prepare palomitas de maíz en el horno microondas, a menos que se encuentren en un accesorio especial de palomitas de maíz para microondas o que el envoltorio de las palomitas de maíz posea una etiqueta que indique que se pueden preparar en el horno microondas.
  - No hierva huevos en un horno microondas. Se acumulará presión dentro de la yema del huevo y esto hará que explote, posiblemente produciendo lesiones.
  - Utilizar el horno microondas sin comida dentro por más de uno o dos minutos podrá causar daños al horno y esto podría provocar un incendio. Esto incrementa el calor en torno al magnetrón y puede acortar la vida útil del horno.
  - Las comidas con la piel exterior "intacta" tales como las papas, perros calientes, salsas, tomates, manzanas, hígados de pollo y otros menudos y yemas de huevo deberán ser perforados para permitir que salga el vapor durante la cocción.
  - **AGUA SOBRECALENTADA**  
*Los líquidos, tales como el agua, café o té se podrán sobrecalentar más allá de su punto de hervor sin que parezca que esto está sucediendo. No siempre se observan burbujas o hervor cuando el envase es retirado del horno microondas. ESTO PODRÍA PROVOCAR QUE LÍQUIDOS MUY CALIENTES DE PRONTO HIERVAN CUANDO SE MUEVA EL ENVASE O CUANDO SE INSERTE UNA CUCHARA U OTRO UTENSILIO EN EL LÍQUIDO.*
- Para reducir el riesgo de lesiones personales:
- No sobrecaliente el líquido.
  - Revuelva el líquido tanto antes como a la mitad del tiempo mientras lo calienta.
  - No use envases con costados rectos y cuellos angostos.
  - Después de calentar, deje reposar el envase en el horno microondas durante un periodo corto antes de retirar el mismo.
- Tenga extremo cuidado al insertar una cuchara u otro utensilio en el envase.
  - Es posible que las comidas cocinadas en líquidos (tales como pasta) tiendan a hervirse más rápidamente que las comidas que contienen menos humedad. Si esto sucediera, consulte la sección de Cuidado y Limpieza del horno microondas, para acceder a instrucciones sobre cómo limpiar el interior del horno.
  - - Evite calentar comida para bebés en frascos de vidrio, incluso sin la tapa. Asegúrese de que las comidas para infantes estén totalmente cocinadas. Revuelva la comida para distribuir el calor de forma pareja. Asegúrese de evitar el punto de hervor cuando caliente fórmula de bebé. Es posible que el envase se sienta más frío que su contenido. Siempre pruebe fórmula antes de alimentar a su bebé.
  - No descongele bebidas congeladas en botellas con cuello pequeño (especialmente bebidas gaseosas). Incluso si el envase es abierto, se podrá acumular presión. Esto podrá hacer que el envase explote, ocasionando posibles lesiones.
  - Las comidas calientes y el vapor pueden causar quemaduras. Tenga cuidado al abrir cualquier envase de comida caliente, incluyendo bolsas de palomitas de maíz, bolsas plásticas y cajas para cocción. A fin de evitar posibles lesiones, aleje el vapor de las manos y el rostro.
  - No caliente las papas en exceso. Se podrían deshidratar y prenderse fuego, causando daños en su horno.
  - Cocine carnes y carnes de ave en forma completa – la carne por lo menos a una temperatura INTERIOR a 160° F y la carne de ave por lo menos a una temperatura INTERIOR a 180° F. Normalmente la cocción a estas temperaturas brinda una protección contra las enfermedades transmitidas por la comida.

# GUARDE ESTAS INSTRUCCIONES

# INSTRUCCIONES IMPORTANTES DE SEGURIDAD LEA TODAS LAS INSTRUCCIONES ANTES DE USAR.



## UTENSILIOS DE COCINA SEGUROS PARA MICROONDAS

No utilice el horno en el modo de microondas sin que el plato giratorio y el soporte del plato giratorio estén ubicados en sus lugares correspondientes. El plato giratorio no deberá tener restricciones, de modo que pueda girar. *Asegúrese de que todos los utensilios usados en el horno microondas sean para uso en el mismo. Se pueden usar la mayoría de las cacerolas de vidrio, platos de cocción, tazas graduadas, tazas para postre, vajillas de cerámica o porcelana que no posean bordes metálicos o vidriados con un brillo metálico. Algunos utensilios cuentan con la etiqueta "para uso en microondas".*

- Si no está seguro de que un plato sea para uso en el microondas, realice esta prueba: coloque en el horno el plato que está evaluando y una taza de vidrio graduada llena con una taza de agua; coloque la taza graduada en o junto al plato. Active el microondas entre 30 y 45 segundos en el nivel alto. Si el plato se calienta, no se deberá usar en el microondas.



*How to test for a microwave-safe dish.*

Si el plato permanece frío y sólo el agua de la taza se calienta, entonces podrá usar el plato de forma segura.

- No se debería usar comida ni utensilios metálicos de tamaño excesivo en un horno microondas/ por convección, ya que incrementan el riesgo de descargas eléctricas y esto podría ocasionar un incendio
- A veces el piso del horno, el plato giratorio y las paredes pueden quedar demasiado calientes al tacto. Se deberá tener cuidado de no tocar el piso, el plato giratorio y las paredes durante y luego de la cocción.
- Si usa un termómetro para carnes mientras cocina, cerciéndose de que sea seguro para uso en hornos microondas.
- No use productos de papel reciclado. Las toallas de papel reciclado, servilletas y papel para alimentos pueden contener trozos de metal que podrán ocasionar arcos eléctricos o hacer que se prenda fuego. Se deberá evitar el uso de productos de papel que contengan nylon o filamentos de nylon, ya que también se podrán prender fuego.

- Algunas bandejas de gomaespuma (como aquellas donde se empaqueta la carne) poseen una tira fina de metal insertada en la parte inferior. Si se usan en el horno microondas, el metal podrá quemar el piso del horno o encender una toalla de papel.
- No use el horno microondas para secar periódicos.
- No todos los envoltorios de plástico se pueden usar en el horno microondas. Controle el paquete para un uso adecuado.
- Las toallas de papel, papel para alimentos o envoltorios de plástico se podrán usar para cubrir platos, a fin de retener la humedad y evitar salpicaduras al realizar la cocción por microondas. Asegúrese de ventilar los envoltorios de plástico, de modo que el vapor pueda salir.
- Los utensilios de cocina se podrán calentar debido al calor transferido por la comida que se calentó. Será necesario usar guantes para horno al tomar el utensilio de cocina.
- Al cocinar con microondas las bolsas plásticas para cocción y las bolsas plásticas de cierre hermético "aptas para hervir", se deberán cortar, perforar o ventilar, como se indica en el paquete. De no ser así, el plástico podría explotar durante o inmediatamente después de la cocción, lo cual podrá ocasionar lesiones. Además, los envases de plástico deberán estar por lo menos parcialmente descubiertos debido a que forman un sellado hermético. Al cocinar con envases herméticamente cubiertos con envoltorios de plástico, retire el envoltorio con cuidado y dirija el vapor lejos de las manos y el rostro.



## UTENSILIOS DE COCINA SEGUROS PARA MICROONDAS (cont.)

- Use papel de aluminio sólo como se indica en este manual. Al usar papel de aluminio en el horno microondas, mantenga el papel de aluminio alejado por lo menos a 1" de los costados del horno.
- Utensilios de plástico - los utensilios de plástico diseñados para la cocción en el horno microondas son muy útiles, pero se deberán usar con cuidado. Es posible que el plástico de uso seguro en el horno microondas no tolere condiciones de sobrecalentamiento, como si es el caso con materiales de vidrio o cerámica, y se podrá ablandar o carbonizar si se somete

a períodos cortos de sobrecalentamiento. Si se exponen a un sobrecalentamiento prolongado, la comida y los utensilios se podrán incendiar.

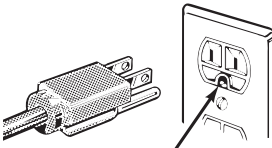
Siga estas pautas:

- 1** Use plásticos de uso seguro en el horno microondas únicamente y use los mismos cumpliendo de forma estricta las recomendaciones del fabricante de utensilios.
- 2** No cocine envases vacíos en el horno microondas.
- 3** No permita que los niños usen utensilios de plástico sin una supervisión completa.

## ⚠ ¡ADVERTENCIA! INSTRUCCIONES DE CONEXIÓN A TIERRA

### ¡ADVERTENCIA!

*El uso inadecuado del enchufe de conexión a tierra puede provocar riesgos de descargas eléctricas.*



Asegúrese de contar con una conexión a tierra adecuada antes de usar.

la corriente eléctrica.

Este electrodoméstico está equipado con un cable de corriente que posee un cable de conexión a tierra con un enchufe a tierra. El cable se deberá enchufar en un tomacorriente instalado y conectado a tierra de forma adecuada.

Consulte a un electricista calificado o al personal del servicio técnico en caso de que las instrucciones de conexión a tierra no se entiendan completamente, o si tiene dudas sobre si la herramienta está conectada a tierra de forma apropiada.

Este electrodoméstico deberá estar conectado a tierra. En caso de que se produzca un cortocircuito, la conexión a tierra reduce el riesgo de descarga eléctrica, brindando un cable de escape de

En caso de contar con un tomacorriente de pared de 2 cables, es su responsabilidad y obligación reemplazarlo por un tomacorriente de pared de 3 cables correctamente conectado a tierra.

Bajo ninguna circunstancia corte o elimine el tercer cable (tierra) del cable de corriente.

No use un enchufe adaptador con este electrodoméstico.

No use prolongadores con este electrodoméstico. Si el cable de corriente es demasiado corto, solicite a un electricista o a personal calificado del servicio técnico que instale un tomacorriente cerca del electrodoméstico.

Para un mejor funcionamiento, conecte este electrodoméstico en su tomacorriente eléctrico a fin de evitar parpadeos de las luces, explosión del fusible o desactivación del disyuntor.

# GUARDE ESTAS INSTRUCCIONES

# INSTRUCCIONES IMPORTANTES DE SEGURIDAD LEA TODAS LAS INSTRUCCIONES ANTES DE USAR.

## EL VENTILADOR

El ventilador funcionará de forma automática bajo ciertas condiciones (consulte la función Ventilador Automático). Asegúrese de evitar la activación y extensión accidental del fuego de cocción mientras el ventilador está en uso.

- Limpie la cara inferior del horno microondas en forma frecuente.  
No permita que se acumule grasa en el horno microondas o en los filtros del ventilador.
- En caso de que haya fuego producido por la grasa en las unidades de la superficie debajo del horno microondas, apague una olla llameante sobre la unidad de la superficie cubriendo la olla completamente con una tapa, una asadera de galletitas o una bandeja plana.

- Limpie con cuidado los filtros del ventilador. Agentes de limpieza corrosivos, tales como los limpiadores de horno a base de soda cáustica, podrán dañar los filtros.
- Al preparar comidas llameantes debajo del horno microondas, encienda el ventilador.
- Nunca deje de prestar atención a las unidades de la superficie debajo de su horno microondas en las configuraciones altas de calor. Las ebulliciones producen humo y derrames de grasa que pueden encender y esparcir el fuego si el ventilador del horno microondas está en funcionamiento. A fin de minimizar el funcionamiento del ventilador automático, use utensilios de tamaño adecuado y use un nivel de calor alto en las unidades de la superficie sólo cuando sea necesario.

## MARCAPASOS

La mayoría de los marcapasos poseen protección contra interferencias de productos eléctricos, incluyendo los hornos microondas. Sin embargo, es aconsejable que ante

cualquier duda los pacientes con marcapasos realicen una consulta médica.

## KITS OPCIONALES

*Disponible con costo adicional a través de su proveedor de GE.*

### Kits del Panel de Relleno

- JX48WH—Blanco
- JX46BL—Negro

Al reemplazar una campana de estufa de 36", los kits del panel de relleno completan el ancho adicional a fin de brindar un aspecto de construcción a medida.

Sólo para instalación entre gabinetes; no para la instalación al final del gabinete. Cada kit cuenta con dos paneles de relleno de 3" de ancho.

### Kits del Filtro de Carbón

- JX81L —Kit de Relleno de Carbón para Recirculación

Los kits del filtro se utilizan cuando el horno no puede ser ventilado desde afuera.

Consulte el reverso a fin de ordenar en forma telefónica o en [GEAppliances.com](http://GEAppliances.com).

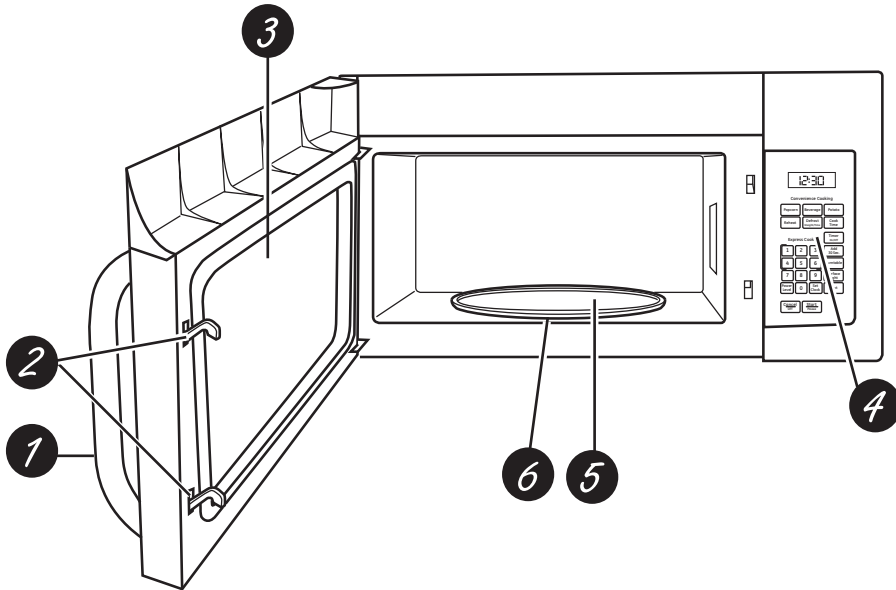
*LEA Y SIGA ESTA INFORMACIÓN DE SEGURIDAD CUIDADOSAMENTE.*

# GUARDE ESTAS INSTRUCCIONES

# Acerca de las funciones de su horno.

GEAppliances.com

Es posible que las funciones y apariencias varíen con relación a su modelo a lo largo del manual.

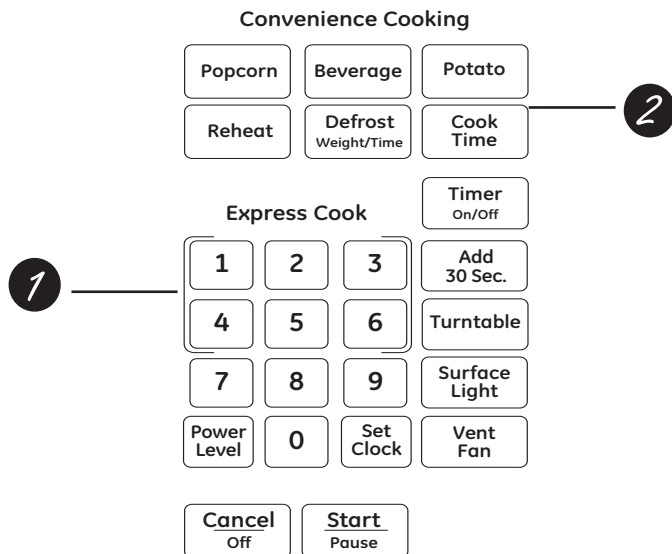


## Funciones del Horno

- 1 Manija de la Puerta**
- 2 Pestillos de la Puerta**
- 3 Ventana con Protector Metálico.** La pantalla permite que la cocción pueda ser observada mientras se mantienen las microondas dentro del horno.
- 4 Panel de Control**
- 5 Panel de Control** No utilice el horno en el modo de microondas sin el plato giratorio y el soporte del plato giratorio, ubicados en sus lugares correspondientes.
- 6 Soporte Extraíble del Plato Giratorio.** No utilice el horno en el modo de microondas sin el plato giratorio y el soporte del plato giratorio ubicados en su lugar.

## Acerca de las funciones de su horno microondas.

Es posible que las funciones y apariencias varíen con relación a su modelo a lo largo del manual.



## Controles de Cocción

Consulte la Guía de Acciones Convenientes antes de comenzar.

### 1 Funciones por Tiempo

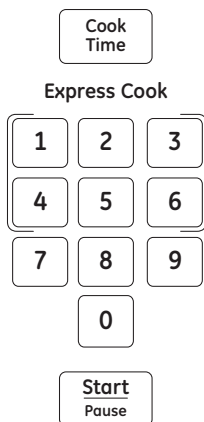
Presione	Iniciar
COOK TIME (tiempo de cocción)	Cantidad de tiempo de cocción
DEFROST (descongelar)	Peso o tiempo
TIMER (Temporizador)	
POWER LEVEL (nivel de potencia)	Nivel de potencia de 1 a 10
ADD 30 SEC (Agregar 30 segundos)	¡Comienza de inmediato!
EXPRESS COOK (cocción exprés)	¡Comienza de inmediato!

### 2 Funciones Convenientes

Presione	Iniciar
POPCORN (palomitas de maíz)	Presione la tecla para seleccionar el tamaño de la porción.
REHEAT (recalentar)	Press pad to select food
BEVERAGE (bebida)	Presione la tecla para seleccionar el tamaño de la porción.
POTATO (papa)	Presione la tecla para seleccionar el tamaño de la porción.

# Acerca de las funciones del temporizador.

GEAppliances.com



## Tiempo de Cocción

Le permite cocinar en el horno microondas por cualquier tiempo hasta 99 minutos y 99 segundos.

**Power level 10 (Nivel de potencia 10)** se configura de forma automática, pero lo puede modificar para una mayor flexibilidad.

- 1 Presione **Cook Time (Tiempo de Cocción)**.
- 2 Ingrese el tiempo de cocción.
- 3 Presione **START (Iniciar)**.  
*La cocción se iniciará cuando la cuenta regresiva comience en la pantalla.*

Puede abrir la puerta durante **Time Cook (Cocción con Temporizador)** para controlar la comida. Cierre la puerta y presione **START (Iniciar)** para reanudar la cocción.

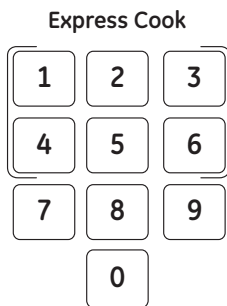
## Cocción Exprés

Ésta es una forma rápida de configurar el tiempo de cocción entre 1 y 6 minutos.

- 1 Presione una de las teclas de **Express Cook (Cocción Exprés)** (de 1 a 6) para una cocción de entre 1 y 6 minutos en el **nivel de potencia 10**.  
Por ejemplo: presione la tecla 2 para un tiempo de cocción de 2 minutos.

El nivel de potencia se puede modificar mientras se está realizando la cuenta regresiva. Presione **POWER LEVEL (Nivel de Potencia)** e ingrese una opción del 1 al 10.

**NOTA:** La función Express Cook (Cocción Exprés) se aplica sólo con las teclas 1 a 6.

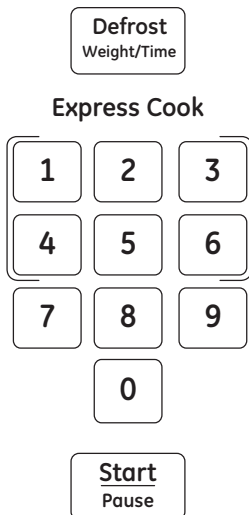


## Agregar 30 segundos

Esto agregará 30 segundos a la cuenta regresiva cada vez que la tecla se presione. Cada vez que presione se sumarán 30 segundos, hasta 99 minutos y 99 segundos.

**Add 30 sec (Agregar 30 segundos)** también se puede usar como un botón exprés de 30 segundos. El horno microondas comenzará a funcionar de inmediato cuando se presione.

# Acerca de las funciones del descongelador.



## Descongelación por Peso

Use *Weight Defrost (Descongelación por Peso)* para carnes, aves y pescado. Use *Time Defrost (Descongelación por Tiempo)* para la mayoría de las demás comidas congeladas. (La función Descongelación por Tiempo se explica en la página 13).

- 1 Presione **DEFROST (Descongelar)** una vez para *Weight Defrost (Descongelación por Tiempo)*.
- 2 Ingrese el peso en libras.
- 3 Presione **START (Iniciar)**.  
*La cocción se iniciará cuando la cuenta regresiva comience en la pantalla.*

## Consejos para la Descongelación

- Retire la carne del paquete y coloque la misma en el plato para un uso seguro en el microondas.
- Cuando el horno dé la señal, dé vuelta la comida. Retire la carne descongelada o cubra las partes calientes con trozos pequeños de papel de aluminio.
- Luego de la descongelación, la mayoría de las carnes necesitan reposar durante 5 minutos para completar la misma. Al asar durante tiempo prolongado se debería dejar reposar por unos 30 minutos.

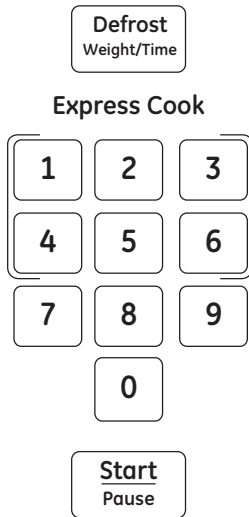
## Guía de Conversión

Si el peso de la comida se expresa en libras y onzas, las onzas se deberán convertir a décimas (.1) de una libra.

Ounces	Libras
1-2	.1
3	.2
4-5	.3
6-7	.4
8	.5
9-10	.6
11	.7
12-13	.8
14-15	.9

Nota: Máximo de 6.0 libras.





## Descongelación con Temporizador

Le permite descongelar durante un período de tiempo seleccionado. Consulte los tiempos sugeridos en la *Guía de Descongelación* en la página 14 (la función *Weight Defrost (Descongelación por Tiempo)* se explica en la página 12.)

- 1** Presione **DEFROST (Descongelar)** dos veces para activar **Time Defrost (Descongelación por Tiempo)**.
- 2** Ingrese tiempo de descongelación en minutos y segundos.
- 3** Presione **START (Iniciar)**.  
*La cocción se iniciará cuando la cuenta regresiva comience en la pantalla.*

Una vez transcurrido el tiempo de descongelación seleccionado, dé vuelta la comida y separe o reorganice los trozos de comida para una descongelación más pareja. Cubra cualquier área caliente con trozos pequeños de papel de aluminio. El horno continuará descongelando si no abre la puerta y da vuelta la comida.

Se podrán escuchar ruidos durante la descongelación. Esto es normal cuando el horno no está funcionando en el nivel de potencia **High (Alto)**.

## Consejos para la Descongelación

- Las comidas congeladas en papel o plástico se podrán descongelar en el paquete. Los paquetes cerrados se deberán cortar, perforar o ventilar LUEGO de que la comida se haya descongelado parcialmente. Los envases de plástico se deberán descubrir en forma parcial.
- Las comidas de tamaño familiar preempaquetadas se podrán descongelar y cocinar. Si la comida se encuentra en el envase de papel de aluminio, traslade la misma a un plato para uso seguro en el horno microondas.
- Las comidas que se echan a perder con facilidad no se deberán dejar reposar por más de una hora luego de la descongelación. La temperatura ambiente estimula el desarrollo de bacterias nocivas.
- Para una descongelación más pareja de comidas más grandes, tales como asado, use **Auto Defrost (Descongelación Automática)**. Asegúrese de que las carnes queden totalmente descongeladas antes de cocinar.
- Una vez descongelada, la comida debería estar fría pero ablandada en todas las áreas. Si aún está un poco congelada, vuelva a colocarla en el horno microondas muy brevemente, o deje reposar la misma por unos pocos minutos.

# Acerca de las funciones del descongelador.

## Guía de Descongelación

COMIDA	TIEMPO	COMENTARIOS
<b>Panes, Tortas</b> <i>Panes, buñuelos o panecillos</i> (1 trozo) <i>Pastelitos</i> (12 oz. aprox.)	1/4 de min. 2 a 4 min.	Vuelva a arreglar luego de la mitad del tiempo.
<b>Pescado y Mariscos</b> <i>Filetes, congelados</i> (1 lb.)	6 a 9 min.	
<b>Fruta</b> <i>Bolsa de Plástico - 1 o 2</i> (paquete de 10 oz.)	1 a 5 min.	
<b>Carne</b> <i>Tocino</i> (1 lb.)	2 a 5 min.	Coloque el paquete cerrado en el horno. Deje reposar por 5 minutos luego de la descongelación.
<i>Salchichas Tipo Frankfurt</i> (1 lb)	2 a 5 min.	Coloque el paquete cerrado en el horno. Cocine en el horno microondas hasta que las salchichas tipo Frankfurt se puedan separar. Deje reposar por 5 minutos, de ser necesario, para completar la descongelación.
<i>Carne picada</i> (1 lb)	4 a 6 min.	Dé vuelta luego de la primera mitad de tiempo.
<i>Asar: Bife, cordero, ternera, cerdo</i>	9 a 13 min. por lb.	Use el nivel de potencia 10.
<i>Bistecs, chuletas de cerdo y cordero</i>	4 a 8 min. por lb.	PColoque la carne aún envuelta en el plato de cocción. Dé vuelta luego de la primera mitad de tiempo y cubra las áreas calientes con papel de aluminio. Luego de la segunda mitad de tiempo, separe los trozos con un cuchillo de mesa. Espere hasta que se complete la descongelación.
<b>Ave</b> <i>Pollo, hervir-freír - cortar</i> (2½ a 3 lbs.)	14 a 20 min.	Coloque el pollo envuelto en el plato. Desenvuelva y dé vuelta luego de la primera mitad de tiempo. Luego de la segunda mitad de tiempo, separe los trozos y coloque los mismos en un plato de cocción. Cocine en el horno microondas entre 2 y 4 minutos más, si es necesario. Deje reposar por unos pocos minutos para finalizar la descongelación.
<i>Pollo, entero</i> (2½ a 3 lbs.)	20 a 25 min.	Coloque el pollo envuelto en el plato. Luego de la mitad de tiempo, desenvuelva y dé vuelta el pollo. Cubra las partes calientes con papel de aluminio. Para completar la descongelación, deje correr agua fría en la cavidad hasta que se puedan retirar los menudos.
<i>Carne picada</i> (1 lb)	7 a 13 min. por lb.	Coloque la gallina sin desenvolver en el horno con la pechuga hacia arriba. Dé vuelta luego de la primera mitad de tiempo. Deje correr agua por la cavidad hasta que se puedan quitar los menudos.
<i>Pechuga de pavo</i> (4 a 6 lbs.)	3 a 8 min. por lb.	Coloque la pechuga sin desenvolver en el plato para uso seguro en horno microondas con la pechuga hacia abajo. Luego de la primera mitad de tiempo, dé vuelta la pechuga hacia arriba y cubra las partes calientes con papel de aluminio. Descongele durante la segunda mitad del tiempo. Deje reposar entre 1 y 2 horas en el refrigerador para completar la descongelación.

## Popcorn

### Palomitas de Maíz

Para usar la función de **Popcorn (Palomitas de Maíz)**:

- 1 Presione el botón **POPCORN (Palomitas de Maíz)** una vez para una bolsa de 2.0 onzas, dos veces para una bolsa de 2.5 onzas, o tres veces para una bolsa de 3.0 onzas.
- 2 Presione **START (Iniciar)**.  
*La cocción se iniciará cuando la cuenta regresiva comience en la pantalla.*  
*No podrá cambiar la selección o cantidad una vez que la función se haya iniciado.*

Si la comida no termina de cocinarse luego de la cuenta regresiva, use **Cook Time (Tiempo de Cocción)** para adicionar tiempo de cocción. Recomendamos 30 segundos y observar atentamente.

*Use sólo palomitas de maíz preempaquetadas para hornos de microondas que pesen entre 2 y 3 onzas.*

**NOTA: No use esta función dos veces seguidas en la misma porción de comida; esto podrá hacer que la comida se sobrecaliente de forma excesiva o que se quemé.**

## Reheat

### Recalentar

La función **Reheat (Recalentar)** vuelve a calentar las porciones de comidas cocinadas previamente o un plato con restos de comida.

Coloque la taza de líquido o comida cubierta en el horno.

- 1 Presione el botón **REHEAT (Recalentar)** hasta seis veces para elegir la selección correcta.  
Presione una vez para una pizza.  
Presione dos veces para verduras.  
Presione tres veces para un plato con restos de comida.  
Presione cuatro veces para sopa  
Presione cinco veces para carne.  
Presione seis veces para pasta.
- 2 Presione la tecla recalentar nuevamente una vez que el tipo de comida haya sido ingresado a fin de seleccionar la cantidad.
- 3 Presione **START (Iniciar)**.  
*La cocción se iniciará cuando la cuenta regresiva comience en la pantalla.*

*Luego de retirar la comida del horno, revuelva, si es posible, para emparejar la temperatura. Las comidas recalentadas podrán tener amplias variaciones de temperatura. Algunas partes de la comida podrán estar extremadamente calientes.*

Si la comida no se calentó lo suficiente luego de la cuenta regresiva, use **Cook Time (Tiempo de Cocción)** para adicionar tiempo de recalentamiento

**Algunas Comidas No Recomendadas para Uso con la Función de Recalentamiento**

Es mejor usar **Cook Time (Tiempo de Cocción)** para estas comidas:

- Productos con pan
- Comidas que se deben recalentar sin estar cubiertas
- Comidas que se deben revolver o girar
- Comidas que deben tener un aspecto seco o una superficie crocante luego de recalentar

**NOTA: No use esta función dos veces seguidas en la misma porción de comida; esto podrá hacer que la comida se sobrecaliente de forma excesiva o que se quemé.**

# Sobre las funciones convenientes.

## Beverage

### Bebida

Use la función **Beverage (Bebida)** para calentar diferentes cantidades de líquidos medidos en onzas: coloque el líquido en el horno microondas.

4 oz.	1/2 taza
8 oz.	1 taza
12 oz.	1-1/2 taza
16 oz.	2 taza

- 1 Presione el botón **Beverage (Bebida)** hasta cuatro veces para elegir la selección correcta.  
Presione una vez para una bebida de 4 onzas.  
Presione dos veces para una bebida de 8 onzas.  
Presione tres veces para una bebida de 12 onzas.  
Presione cuatro veces para una bebida de 16 onzas.

- 2 Presione **START (Iniciar)**.  
*La cocción se iniciará cuando la cuenta regresiva comience en la pantalla.*

## Potato

### Papa

Para usar la función de **Potato (Papa)**:

Coloque la papa(s) en el horno.

- 1 Presione el botón **Potato (Papa)** hasta cuatro veces para elegir la selección correcta.  
Presione una vez para 1 producto.  
Presione dos veces para 2 productos.

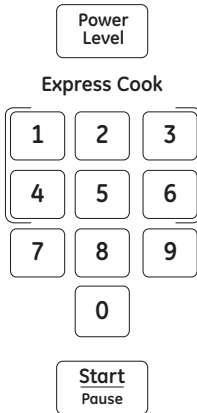
Presione tres veces para 3 productos.  
Presione cuatro veces para 4 productos.

- 2 Presione **START (Iniciar)**.  
*La cocción se iniciará cuando la cuenta regresiva comience en la pantalla.*

**NOTA: No use esta función dos veces seguidas con la misma porción de comida. Como resultado la comida se podrá cocinar en exceso o quemar.**

## Términos del Microondas.

Término	Definición
<b>Arco Eléctrico</b>	Arco eléctrico es el término que se usa para definir la producción de chispas en el horno microondas. Los arcos eléctricos son producidos por: <ul style="list-style-type: none"> <li>• Metal o papel de aluminio en contacto con el lateral del horno.</li> <li>• Papel de aluminio no moldeado a la comida (los extremos doblados actúan como antenas).</li> <li>• Metales, tales como precintos, pinchos de ave, o platos con rebordes dorados.</li> <li>• Toallas de papel reciclable que contengan pequeños trozos de metal.</li> </ul>
<b>Tapa</b>	Los cobertores retienen la humedad, permiten calentar de forma más pareja y reducen el tiempo de cocción. Ventilar los envoltorios de plástico o cubrir con tapas con papel para alimentos permite la salida de vapor excesivo.
<b>Cubrir</b>	En un horno normal, usted cubre las pechugas de pollo o comidas asadas para evitar que se doren en exceso. Al cocinar en el horno microondas, deberá usar pequeñas tiras de papel de aluminio para cubrir partes pequeñas, tales como puntas de alas y patas de aves, que se podrían cocinar antes que las partes grandes.
<b>Tiempo de Inactividad</b>	Al cocinar con hornos regulares, las comidas asadas o las tortas se pueden dejar hasta finalizar la cocción o el tiempo programado. El tiempo en espera es especialmente importante en la cocción en el horno microondas. Se debe observar que una torta cocinada en un horno microondas no se coloca en un estante de refrigeración.
<b>Ventilación</b>	Luego de cubrir un plato con un envoltorio plástico, este último se ventila dando vuelta un extremo de modo tal que el vapor pueda salir.



## Cómo Modificar el Nivel de Potencia

El nivel de potencia podrá ser ingresado o modificado antes o durante la cocción. **Power Level (Nivel de Potencia)** está configurado en el Nivel 10 (Alto) a menos que sea modificado.

- 1 Presione el botón Power Level (Nivel de Potencia).
- 2 Ingrese el nuevo nivel de potencia usando las teclas numéricas o presionando el botón **Power Level (Nivel de Potencia)** muchas veces hasta que se alcance el nivel de potencia que desee.
- 3 Luego de seleccionar el nivel de potencia, espere cinco segundos. Se volverá a visualizar la pantalla **Cook Time (Tiempo de Cocción)**.
- 4 Ingrese el tiempo de cocción y presione **START (Iniciar)**.

0

- 1 Presione el botón **Cook Time (Tiempo de Cocción)**.
- 2 Ingrese el tiempo de cocción.
- 3 Presione el botón **Power Level (Nivel de Potencia)**.
- 4 Ingrese el nuevo nivel de potencia usando las teclas numéricas o presionando el botón Power Level (Nivel de Potencia) muchas veces hasta que encuentre el nivel de potencia que desee.
- 5 Luego de seleccionar el nivel de potencia, espere cinco segundos. Se volverá a visualizar la pantalla **Cook Time (Tiempo de Cocción)**.

## 6 Presione **START (Iniciar)**.

Los niveles de potencia variables suman flexibilidad a la cocción en el microondas. Los niveles de potencia del horno microondas se pueden comparar con las unidades de superficie de una cocina. Cada nivel de potencia le brinda energía de microondas un cierto porcentaje del tiempo. El **Nivel de Potencia 7** es energía de microondas el 70% del tiempo. El **Nivel de Potencia 3** es energía el 30% del tiempo. La mayoría de las cocciones se harán en High (Alto) (nivel de potencia 10), lo cual le brinda el 100% de potencia. **Power level 10 (Nivel de potencia 10)** hará la cocción más rápido pero será necesario revolver, rotar o dar vuelta la comida con mayor frecuencia. Una configuración inferior hará la cocción más pareja y se necesitará revolver y rotar menos la comida. Algunas comidas podrán tener mejor sabor, textura o aspecto si se usa una de las configuraciones inferiores. Use un nivel de potencia inferior al cocinar comidas con tendencia a hervir, tales como papas en escalope y algunas cazuelas.

Los períodos de descanso (cuando los ciclos de energía de microondas finalizan) brindan tiempo para que la comida "equipare" o transfiera calor al interior de la comida. Un ejemplo de esto se muestra con el **nivel de potencia 3** - el ciclo de descongelamiento. Si la energía del microondas no finalizó el ciclo, la parte externa de la comida se cocinará antes de que el interior esté descongelado.

*Estos son algunos ejemplos de usos de diferentes niveles de potencia:*

**Alto 10 (100%):** Pescado, tocino, verduras, líquidos en hervor.

**Medio-Alto 7 (70%):** Cocción suave de carne y ave; cacerolas para hornear y recalentar.

**Medio 5 (50%):** Cocción lenta y ablandamiento para guisados y cortes de carne menos tiernos.

**Bajo 2 o 3 (20 o 30%):** Descongelar; hervir a fuego lento; platos delicados.

**Caliente 1 (10%):** Mantener la comida caliente; ablandar la manteca.

**NOTA:** También puede modificar el nivel de potencia durante muchos modos de cocción, presionando el botón de nivel de potencia e ingresando un nivel de potencia válido.

## Acerca del resto de las funciones.

---

**Set  
Clock**

### *Reloj*

Para cambiar la hora del día.

- 1** Presione el botón *Set Clock (Configuración del Reloj)*. (El horno microondas no debería estar en funcionamiento).
- 2** Ingrese la hora del día correcta. El reloj está en una escala de 12 horas.
- 3** Presione *Set Clock or Start (Configuración del Reloj o Iniciar)* para aceptar el horario.

**Start  
Pause**

### *Iniciar/ Pausar*

Además de iniciar muchas funciones, *START/ PAUSE (Iniciar/ Pausar)* le permite dejar de cocinar sin abrir la puerta ni reiniciar la pantalla y reiniciar la cocción más tarde.

**Cancel  
Off**

### *Cancelar/ Apagar*

Presione el botón *CANCEL/ OFF (Cancelar/ Apagar)* para detener y cancelar la cocción en cualquier momento.

**Cancel  
Off**

### *Bloqueo del Control*

Puede bloquear el panel de control para evitar que el horno se inicie de forma accidental durante la limpieza o cuando sea usado por niños.

Para bloquear o desbloquear los controles, mantenga presionado el botón *CANCEL/ OFF (Cancelar/ Apagar)* durante tres segundos. Cuando el panel de control esté bloqueado, aparecerá *LOCKED (Bloqueado)* brevemente en cualquier momento en que un botón o dial sean presionados. Aparecerá la "L" en la pantalla.

**Surface  
Light**

### *Luz Superficial*

Presione *SURFACE LIGHT (Luz Superficial)* una vez para activar la luz brillante, dos veces para activar la luz nocturna o una tercera vez para apagar la luz.



**NOTA:** El indicador del **Temporizador** se iluminará mientras el temporizador esté funcionando.

### Temporizador

El **temporizador** funciona como un temporizador por minutos y puede ser usado en cualquier momento, incluso cuando el horno está funcionando.

- 1** Presione el botón **TIMER** (*Temporizador*).
- 2** Ingrese el tiempo.
- 3** Presione el botón **Timer** or **Start** (*Temporizador* o *Iniciar*) para dar inicio.

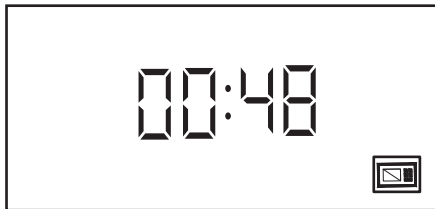
Para cancelar, presione el botón **Timer** (*Temporizador*) o **Cancel** (*Cancelar*).

**NOTA:** Si presione el botón **Cancel** (*Cancelar*) para cancelar el temporizador y está cocinando al mismo tiempo, esto también cancelará su selección de cocción.

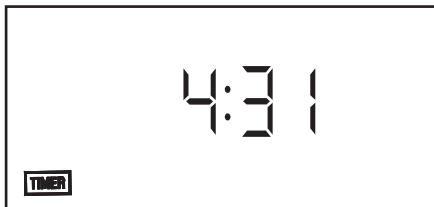
Cuando el tiempo concluya, el temporizador emitirá una señal. Para apagar la señal del temporizador, presione **TIMER** (*Temporizador*) o **Cancel** (*Cancelar*).

### Pantalla

Si el Temporizador está realizando el conteo y está usando Cook Time (Tiempo de Cocción) al mismo tiempo, podrá cambiar la pantalla para mostrar el conteo del temporizador o del tiempo de cocción.



Si la pantalla muestra el tiempo del Temporizador y desea ver el Tiempo de Cocción, presione el botón **COOK TIME** (*Tiempo de Cocción*).



Si la pantalla muestra el conteo del Tiempo de Cocción y desea ver el Temporizador, presione el botón **TIMER** (*Temporizador*).

## Acerca del resto de las funciones.

---

### Turntable

#### *Plato Giratorio*

Para obtener mejores resultados en su cocción, deje el plato giratorio encendido. Lo podrá apagar al usar platos más grandes

Presione la tecla **Turntable (Plato Giratorio)** una vez para apagar el mismo. Presione nuevamente si desea volver a activarlo.

A veces, es posible que el plato giratorio se caliente demasiado como para que se pueda tocar. Se deberá tener cuidado de no tocar el plato giratorio durante y luego de la cocción.

El plato giratorio puede ser apagado durante las funciones **Cook Time (Tiempo de Cocción)** o **Express Cook (Cocción Exprés)**, presionando la tecla **Turntable (Plato Giratorio)**. *Nota:* Al concluir las funciones Cook Time (Tiempo de Cocción) y Express Cook (Cocción Exprés), el plato giratorio regresará a ON (Encendido) de forma automática.

### Vent Fan

#### *Ventilación*

El ventilador de la ventilación elimina el vapor y otros vapores de la cocción superficial.

Presione **VENT FAN (Ventilador)** una vez para activar el ventilador en velocidad alta, dos veces para activarlo en velocidad baja o tres veces para apagar el mismo.

#### *Ventilador Automático*

La función de ventilador automático protege el horno microondas de una elevación de calor excesivo proveniente de la cocina debajo de éste. Se enciende de forma automática al sentir demasiado calor.

Si encendió el ventilador, es posible que observe que no lo puede apagar. El ventilador se apagará de forma automática una vez que las partes internas estén apagadas. Podrá permanecer encendido por 30 minutos o más luego de que los controles de la cocina o del horno microondas estén apagados.

#### *Inserte el Recordatorio Completo*

Un recordatorio le mostrará en la pantalla si el usuario intenta iniciar el ciclo de cocción sin colocar comida dentro del horno microondas dentro de los 5 minutos antes de iniciar el ciclo de cocción.

#### *Recordatorio de Cocción Completa*

Para recordarle que colocó comida en el horno, este último mostrará "The food is ready" (la comida está preparada) y emitirá un pitido una vez por minuto hasta que abra el horno o presione el botón **CANCEL/ OFF (Cancelar/ Apagar)**.

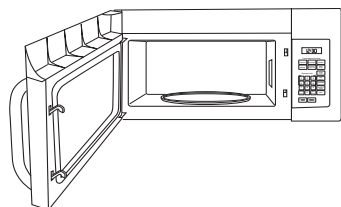




## Consejos Útiles

Una limpieza completa de forma ocasional con una solución de bicarbonato y agua mantiene el interior fresco.

*Asegúrese de que el cable de corriente esté desconectado antes de limpiar cualquier parte de este horno microondas.*



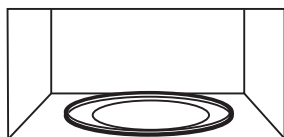
## Cómo Limpiar el Interior

### **Paredes, Piso, Ventana Interior, Partes Metálicas y Plásticas de la Puerta**

Algunas salpicaduras se pueden eliminar con una toalla de papel; otras pueden requerir una tela húmeda.

Elimine salpicaduras de grasa con una tela con jabón, y luego enjuague con una tela húmeda. No use limpiadores abrasivos ni utensilios puntiagudos sobre las paredes del horno.

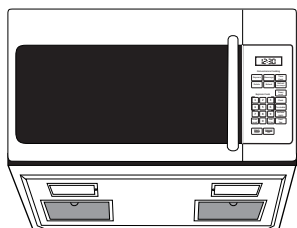
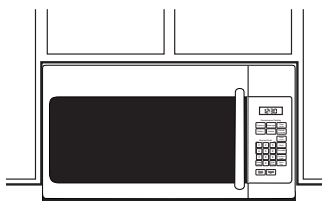
*Nunca use un limpiador para hornos comerciales en ninguna parte de su horno microondas.*



### **Plato Giratorio y Soporte Giratorio Extraíbles**

Para evitar roturas, no coloque el plato giratorio en agua luego de cocinar. Lave el mismo cuidadosamente con agua tibia y jabón o en el lavavajillas. El plato giratorio y el soporte se pueden romper en caso de caída. Recuerde no utilizar el horno en el modo de microondas sin el plato giratorio y el soporte ubicados en sus lugares correspondientes.

## Cuidado y limpieza del horno.



### **Cómo Limpiar el Área Exterior**

*Recomendamos evitar el uso de limpiadores en spray y usar limpiadores con amoníaco o alcohol, ya que pueden dañar el aspecto del horno microondas. Si elige usar un limpiador hogareño común, primero aplique el limpiador directamente sobre una tecla seca, luego limpie el área que se encuentre sucia.*

#### **Cubierta Superior**

Limpie el área exterior del horno microondas con una tela con jabón. Enjuague y luego seque. Limpie la ventana con una tela húmeda.

#### **Panel de Control**

Limpie con una tela húmeda. Seque totalmente. No use espráis limpiadores, grandes cantidades de agua y jabón, objetos abrasivos o puntiagudos sobre el panel, ya que lo pueden dañar. Algunas toallas de papel también pueden rayar el panel de control.

#### **Panel de la Puerta**

Antes de limpiar el panel frontal de la puerta, asegúrese de saber qué tipo de panel posee. Consulte los ocho dígitos del número de modelo. "S" es para acero inoxidable, "B", "W" o "C" son para colores de plástico.

#### **Acero Inoxidable (en algunos modelos)**

El panel de acero inoxidable se puede limpiar con Stainless Steel Magic (Acero Inoxidable Magic) o con un producto similar utilizando un paño suave y limpio. Aplique un limpiador de acero inoxidable con cuidado a fin de evitar las piezas plásticas que están alrededor. No use productos para electrodomésticos tales como cera, limpiametales, blanqueadores ni productos que contengan cloro sobre acabados de acero inoxidable.

#### **Paneles de Colores Plásticos**

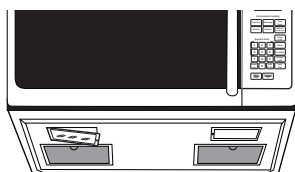
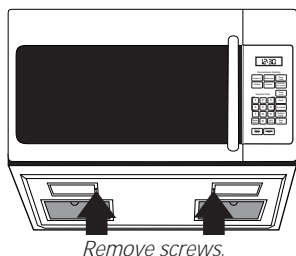
Use una tela limpia, suave y levemente húmeda para limpiar completamente.

#### **Sello de la Puerta**

Es importante mantener el área limpia donde la puerta se selle contra el horno microondas. Use sólo detergentes suaves y no abrasivos con una esponja limpia o tela suave. Enjuague bien.

#### **Parte Inferior**

Despeje la grasa y el polvo de la parte inferior con frecuencia. Use una solución de agua caliente y detergente.



**Luces de la Cocina/ Luces Nocturnas**  
Reemplace con lámparas incandescente de 120 voltios, 40 watts (máximo). Ordene WB25X10030 a su proveedor de GE.

- 1 Para reemplazar las luces de la cocina/ luces nocturnas, primero desconecte el encendido del fusible principal o del panel del disyuntor, o desenchufe el cable.
- 2 Un lado por vez, retire el tornillo del costado de la tapa del compartimiento de la luz y baje la tapa hasta que se detenga.
- 3 Asegúrese de que la lámpara se enfríe antes de retirar la misma. Rompa el sello adhesivo desenroscando la lámpara de forma suave.
- 4 Enrosque la nueva válvula, luego levante la tapa de la luz y reemplace el tornillo. Repita estos pasos con la otra luz. Conecte el cable de electricidad al horno.

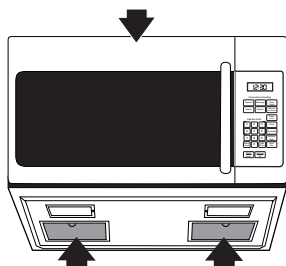
## Cómo reemplazar la luz de la cavidad

1. Desconecte la energía en el fusible principal o panel del interruptor automático.
2. Retire la parrilla superior, retire los dos tornillos que la sostienen en su lugar.
3. Retire el filtro de carbón, si lo tiene. **NOTA:** El filtro de carbón es un kit opcional, no es necesario tenerlo.
4. Retire el retén que sostiene el protector de la lámpara en su lugar.

5. Saque el protector de la lámpara. Desenrosque el bombillo afuera y cámbielo por una lámpara de horno de 120V130V, 30W. Ordene el bombillo WB25X10029 de su distribuidor GE.
6. Devuelva la regrese la lámpara y el protector y el filtro de carbón a su posición original..
7. Coloque la parrilla y los 2 tornillos. Reconecte la energía al horno.

## Acerca de la función de salida.

Filtro de carbón (en algunos modelos)



Filtros de ventilación reusables  
(en todos los modelos)

## Ventilador

El ventilador cuenta con dos filtros metálicos de ventilación reusables.

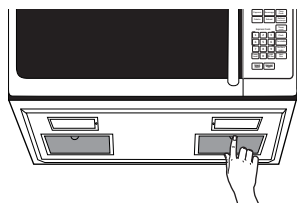
Los modelos que hacen recircular el aire nuevamente hacia la habitación también usan un filtro de carbón.

### Filtros de Ventilación Reusables

Los filtros de metal atrapan la grasa liberada por las comidas en la cocina. También evitan que las llamas de las comidas en la cocina dañen el interior del horno.

Por esta razón, los filtros siempre deben estar en el lugar correcto cuando se use la campana. Los filtros de ventilación deberían ser limpiados una vez por mes, o cuando sea necesario.

## Cuidado y limpieza del horno.



### **Retiro y Limpieza de los Filtros**

**Para retirar**, deslice los mismos sobre la parte trasera usando las lengüetas. Empuje hacia abajo y afuera

Para limpiar los filtros de la ventilación, moje los mismos y luego agite en agua caliente y detergente.

No use amoníaco ni productos de amoníaco, ya que oscurecerán el metal. Se podrá cepillar suavemente para retirar suciedad incrustada.

Enjuague, sacuda y deje secar antes de realizar el reemplazo..

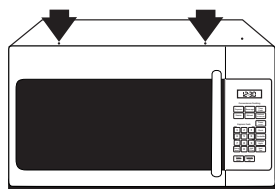
**Para reemplazar**, deslice los filtros en las ranuras de la estructura en la parte trasera de cada abertura. Presione hacia arriba y hacia el frente para que queden bloqueados.

### **Filtro de Carbón**

*The charcoal filter cannot be cleaned. It must be replaced. Order Part No. WB02X11550 from your GE supplier.*

Si el modelo no tiene ventilación hacia afuera, el aire será recirculado a través de un filtro de carbón descartable que ayude a retirar el humo y los olores.

El filtro de carbón debería ser reemplazado cuando esté notoriamente sucio o descolorido (normalmente luego de entre 6 y 12 meses, dependiendo del uso). Para más información, consulte "Kits Opcionales" en la página 8



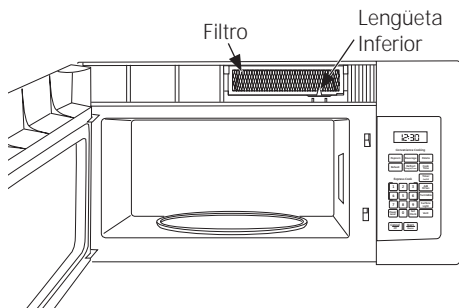
Retire los 2 tornillos de rejilla para retirar la rejilla.

### **Para Retirar el Filtro de Carbón**

**Para retirar el filtro de carbón**, primero desconecte el encendido en el fusible principal o disyuntor, o empuje el cable. Retire la rejilla superior retirando sólo los dos tornillos que lo sostienen en su lugar, como se muestra.

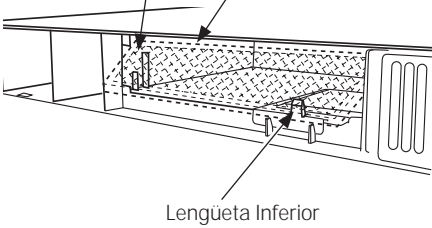
Es posible que necesite abrir las puertas del gabinete para retirar los tornillos.

Vuelva a presionar la parte superior del filtro con ambas manos hasta que el filtro se apoye de forma casi horizontal. Levante el filtro en la parte inferior hasta que se libere de las lengüetas. Deslice el filtro hacia abajo y afuera.



Ranuras del Microondas para el Filtro en Cada Lado

Filtro - (las líneas de guiones son para mostrar los detalles de las marcas)



Lengüeta Inferior

Para acceder a instrucciones sobre cómo instalar el filtro de carbón, consulte las instrucciones en video.

<http://www.geappliances.com/videos/microwave-troubleshooting-fix.htm>

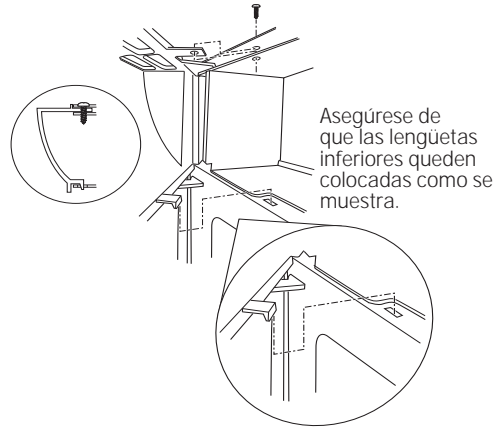


Use la aplicación de su teléfono inteligente para escanear este código.

## Para Instalar el Filtro de Carbón

Para instalar el nuevo filtro de carbón, retire el plástico y otros envoltorios externos del nuevo filtro.

Inserte la parte superior del filtro arriba y dentro de las ranuras a ambos lados de la parte interior de la abertura superior. Una vez que haya despejado la lengüeta inferior, empuje la parte inferior del filtro hasta que esté correctamente colocada en forma vertical detrás de la lengüeta.



Asegúrese de que las lengüetas inferiores queden colocadas como se muestra.

## Antes de Solicitar el servicio técnico...

### Cosas que son Normales de su Horno Microondas

- Humedad en la puerta y las paredes del horno mientras cocina. Limpie la humedad con una toalla de papel o con una tela suave.
- Humedad entre los paneles de la puerta del horno al cocinar ciertas comidas. La humedad se debería disipar en breve una vez finalizada la cocción.
- Vapor que sale alrededor de la puerta.
- Reflejo de luz alrededor de la puerta o cubierta exterior.
- Luz del horno tenue y cambio del sonido del pitido en niveles de potencia que no son altos.
- Ruidos mientras el horno está funcionando.
- Se podrán observar interferencias de TV/ radio mientras usa el horno microondas. De forma similar a la interferencia causada por otros electrodomésticos pequeños, esto no indica que exista un problema con el horno microondas. Enchufe el horno microondas en un circuito eléctrico diferente, aleje la radio o la TV tanto como sea posible del horno microondas, o controle la posición y la señal de la antena de la TV/ radio.

## Antes de Solicitar el servicio técnico...



Consejos para la Solución de Problemas

¡Ahorre tiempo y dinero! Primero revise los cuadros que aparecen en las siguientes páginas y es posible que no necesite solicitar reparaciones.

<i>Problema</i>	<i>Causa Posible</i>	<i>Qué Hacer</i>
<i>El horno no se inicia</i>	Es posible que un fusible de su hogar se haya quemado o que el disyuntor se haya desconectado.	• Reemplace el fusible o reinicie el disyuntor.
	Pico de tensión.	• Desenchufe el horno microondas; luego vuelva a enchufarlo.
	El enchufe no está totalmente insertado en el tomacorriente.	• Asegúrese de que el cable de 3 patas del horno esté completamente insertado en el tomacorriente.
	La puerta no está cerrada de forma segura.	• Abra la puerta y cierre la misma de forma segura.
<i>El panel de control está iluminado, pero el horno aún no se inicia</i>	La puerta no está cerrada de forma segura.	• Abra la puerta y cierre la misma de forma segura.
	La tecla <i>START/PAUSE (Iniciar/ Pausar)</i> no se presionó luego de ingresar la configuración de la cocción.	• Presione <i>START/PAUSE (Iniciar/ Pausar)</i> .
	Otra selección ya ingresada en el horno y el botón <i>CLEAR/OFF (Borrar/ Apagar)</i> no se presionaron para cancelar la misma.	• Presione <i>CANCEL/OFF (Cancelar/ Apagar)</i>
	El tiempo de cocción no se ingresó luego de presionar <i>COOK TIME (Tiempo de Cocción)</i> .	• Asegúrese de haber ingresado el tiempo de cocción luego de presionar <i>COOK TIME (Tiempo de Cocción)</i> .
	Se presionó <i>CANCEL/ OFF (Cancelar/ Apagar)</i> de forma accidental.	• Reinicie el programa de cocción y presione <i>START/ PAUSE (Iniciar/ Pausar)</i> .
<i>CONTROL LOCKED (Bloqueo del Control) aparece en la pantalla</i>	El control fue bloqueado.	• Mantenga presionado <i>CANCEL/OFF (Cancelar/ Apagar)</i> por unos tres segundos para desbloquear el control.
<i>El piso del horno está caliente incluso cuando el horno no fue usado.</i>	La luz de la cocina está ubicada debajo del piso del horno. Cuando la luz está encendida, el calor que produce puede hacer que el piso del horno esté caliente.	• Esto es normal.
<i>Escucha un atípico pitido en tono bajo</i>	Intentó cambiar el nivel de potencia cuando no es permitido	• Muchas de las funciones del horno están preconfiguradas y no se pueden modificar.
<i>El ventilador de la ventilación se activa de forma automática</i>	El ventilador de la ventilación se enciende de forma automática al sentir demasiado calor proveniente de la cocina que se encuentra debajo.	• Esto es normal.

# Garantía del Horno Microondas de GE

GEAppliances.com



Todo el servicio de garantía es provisto por nuestros Centros de Servicio de Fabricación, o un técnico autorizado de Servicio al Cliente (Customer Care®). Para programar una visita del servicio técnico a través de Internet, visítenos en GEAppliances.com, o comuníquese al 800.GE.CARES (800.432.2737). Cuando llame para solicitar el servicio, tenga los números de serie y modelo disponibles.

Abroche su recibo aquí. Para acceder al servicio técnico de acuerdo con la garantía deberá contar con la prueba de la fecha original de compra.

<b>Por el Período de:</b>	<b>GE Reemplazará o Brindará Servicio Técnico:</b>
<b>Un año</b> <i>Desde la fecha de la compra original</i>	<b>Si es necesario el servicio técnico, GE reemplazará cualquier parte del horno microondas</b> que falle debido a un defecto en los materiales o la fabricación. Durante esta <b>garantía limitada de un año</b> , GE también proveerá, sin costo, todo el trabajo y los costos del servicio relacionado con el reemplazo de la parte que presente defectos.

## Qué No Cubrirá GE:

- Viajes del técnico del servicio a su hogar para enseñarle sobre cómo usar el producto.
- Instalación, entrega o mantenimiento inadecuados. Si tiene un problema con la instalación, comuníquese con su vendedor o instalador. Usted es responsable de brindar instalaciones adecuadas de conexión eléctrica, escape u otras instalaciones de conexión.
- Falla del producto o daño sobre el producto si se produce un abuso, uso inadecuado (por ejemplo: arco eléctrico en una cavidad de la rejilla o metal/ papel de aluminio), o uso diferente para el cual fue diseñado o uso comercial.
- Reemplazo de fusibles de la casa o reinicio de disyuntores.
- Daños ocasionados sobre el producto por accidente, incendio, inundaciones o catástrofes naturales.
- Daños consecuentes o incidentales causados por posibles defectos sobre este producto.
- Daño causado después de la entrega.
- Producto no accesible para brindar el servicio requerido.
- Solicite el servicio técnico para reparar o reemplazar las lámparas, excepto las lámparas LED.
- Daños sobre el acabado, tales como óxido sobre la superficie, deslustres o manchas pequeñas no informadas dentro de las 48 horas luego de la entrega.

**EXCLUSIÓN DE GARANTÍAS IMPLÍCITAS—Su única y exclusiva alternativa es el cambio del producto, como se indica en la Garantía Limitada. Las garantías implícitas, incluyendo garantías implícitas de comerciabilidad o conveniencia sobre un propósito particular, se limitan a un año o al período más corto permitido por la ley.**

Esta garantía se extiende al comprador original y a cualquier dueño subsiguiente de productos comprados para uso hogareño dentro de EE.UU. Si el producto se encuentra en un área donde no se encuentra disponible el servicio técnico de un Proveedor de Servicios de GE Autorizado, usted será responsable por el costo de un viaje o se podrá requerir que traiga el producto a una Ubicación del Servicio Técnico de GE Autorizado para recibir el servicio. En Alaska, la garantía excluye las llamadas del servicio a su hogar.

Algunos estados no permiten la exclusión o limitación de daños fortuitos o consecuentes. Esta garantía le da derechos legales específicos y es posible que tenga otros derechos legales que varían entre un estado y otro. Para conocer cuáles son sus derechos legales, consulte a la oficina de asuntos del consumidor local o estatal o al Fiscal de su estado.

Garante: General Electric Company. Louisville, KY 40225

# Soporte al Cliente.



## Sitio Web de Electrodomésticos de GE

[GEAppliances.com](http://GEAppliances.com)

¿Desea realizar una consulta o necesita ayuda con su electrodoméstico? ¡Intente a través del Sitio Web de Electrodomésticos de GE las 24 horas del día, cualquier día del año! Para mayor conveniencia y un servicio más rápido, ahora puede descargar el Manual del Propietario, ordenar piezas, catálogos o incluso un servicio programado a través de Internet. También puede hacer sus preguntas a "Ask Our Team of Experts" (Pregúntele a Nuestro Equipo de Expertos), y mucho más...



## Servicio Programado

[GEAppliances.com](http://GEAppliances.com)

El servicio de reparación de expertos de GE está a sólo un paso de su puerta. ¡Conéctese a través de Internet y programe su servicio a su conveniencia cualquier día del año! O llame al 800.GE.CARES (800.432.2737) durante el horario comercial habitual



## Estudio de Diseño de la Vida Real

[GEAppliances.com](http://GEAppliances.com)

GE apoya el concepto de Diseño Universal – productos, servicios y ambientes que pueden ser usados por personas de todas las edades, tamaños y capacidades. Reconocemos la necesidad de realizar diseños para una amplia gama de habilidades e incapacidades físicas y mentales. Para más detalles sobre las aplicaciones de Diseño Universal de GE, incluyendo ideas de diseño de cocinas para personas con incapacidades, visite nuestro sitio web hoy. Sobre casos de incapacidad auditiva, comuníquese al 800.TDD.GEAC (800.833.4322).



## Garantías Extendidas

[GEAppliances.com](http://GEAppliances.com)

Adquiera una garantía extendida de GE y aprenda sobre descuentos especiales que están disponibles mientras su garantía aún está vigente. La puede adquirir a través de Internet en cualquier momento o llamando al 800.626.2224 durante el horario comercial habitual. Los Servicios para el Consumidor Hogareño de GE aún estarán allí cuando su garantía caduque.



## Piezas y Accesorios

[GEApplianceParts.com](http://GEApplianceParts.com)

Individuos calificados para realizar el servicio técnico de sus propios electrodomésticos podrán solicitar el envío de piezas o accesorios directamente a sus hogares (se aceptan las tarjetas VISA, MasterCard y Discover). Ordene hoy a través de Internet, las 24 horas del día o en forma telefónica llamando al 800.626.2002, durante el horario comercial habitual.



*Las instrucciones que figuran en este manual cubren los procedimientos que serán realizados por cualquier usuario. Otros servicios técnicos generalmente deberían ser derivados a personal calificado del servicio. Se deberá tener cuidado, ya que una reparación indebida podrá ocasionar que el funcionamiento no sea seguro.*



## Contáctenos

[GEAppliances.com](http://GEAppliances.com)

Si no se encuentra satisfecho con el servicio que recibió de GE, comuníquese con nosotros a través de nuestro sitio web con todos los detalles, incluyendo su número telefónico, o escriba a:

General Manager, Customer Relations

GE Appliances, Appliance Park

Louisville, KY 40225



## Registre su Electrodoméstico

[GEAppliances.com](http://GEAppliances.com)

Registre su electrodoméstico nuevo a través de Internet - ¡a su conveniencia! Un registro puntual de su producto permitirá una mejor comunicación y un servicio más puntual de acuerdo con los términos de su garantía, en caso de surgir la necesidad. También puede enviar una carta en la tarjeta de inscripción pre-impresa que se incluye con el material embalado.