



MODEL HV-50E

Half-Size Electric Oven



Shown with optional stand and casters

OPTIONS AND ACCESSORIES

(AT ADDITIONAL CHARGE)

■ **Controls:**

- MenuSelect control can hold multi-stage programming for up to 99 products, includes Cook & Hold and core probe cooking
- Touchscreen control allows cooking with timer and core probe simultaneously. Includes shelf timing, cooking compensation and multi-shelf recipes. Holds up to 255 recipes.

■ **Stands:**

- 11" (286mm) stainless steel stand
- 29" (737mm) stainless steel stand
- Extra stainless steel oven racks
- Additional core probe
- Side heat shield
- Water pressure regulator
- Backflow preventer

Project _____

Item No. _____

Quantity _____

Standard depth baking compartment - accepts five 13" x 18" standard half-size baking pans in front to back positions.

All data is shown per oven section, unless otherwise indicated.

Refer to operator manual specification chart for listed model names.

EXTERIOR CONSTRUCTION

- Fully welded angle-iron frame
- Stainless steel front, top, sides and back
- Dual pane tempered glass windows encased in a stainless steel door frame with hinged inner glass for easy cleaning

INTERIOR CONSTRUCTION

- 316 stainless steel liner for easy cleaning
- Two halogen interior lights
- Drain in oven cavity
- Hinged air pressure panel for easy cleaning
- Up to 2.5" of mineral board insulation for greater heat retention
- Three tubular heater element design

OPERATION

- Standard control with function selection for hydro low, hydro high, hot air, and cool down
- Retherm and Fry bands on control
- Hydrovection cook modes provide low or high humidity
- Hot air cook mode for baking and pastries
- One touch cooking
- Four speed auto-reversing fan motor for even bake
- Cavity vent control provides ability to release steam at the push of a switch
- Thermostatically controlled quench system, Eco-Friendly
- 3/4 H.P. motor

STANDARD FEATURES

- Removeable core temperature probe
- 95 dB beeper on the control panel to compete with even the loudest of kitchens
- Start-up inspection service by factory authorized service agent
- 1 year parts and 1 year labor warranty



HV-50E

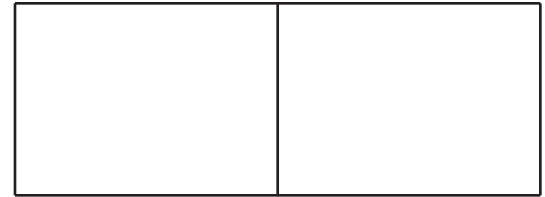
BLODGETT

www.blodgett.com

44 Lakeside Avenue, Burlington, VT 05401 • Phone: (802) 658-6600 • Fax: (802) 864-0183

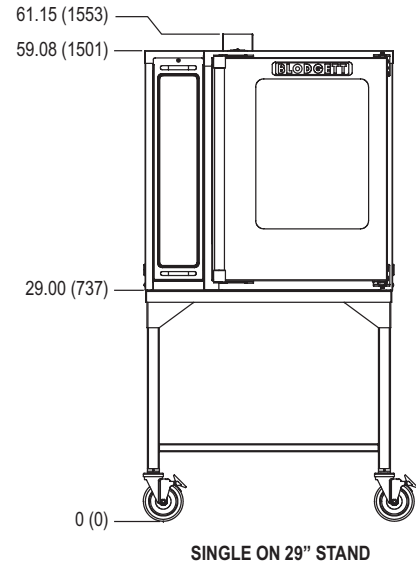
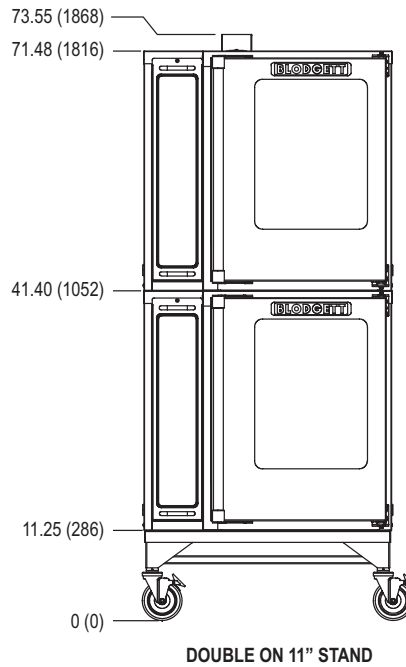
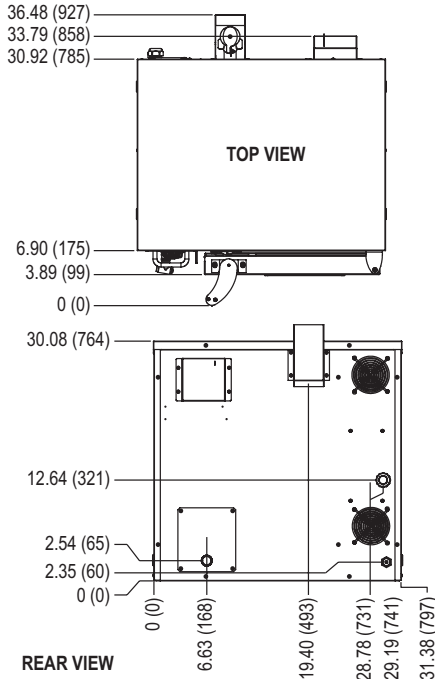


MODEL HV-50E



APPROVAL/STAMP

DIMENSIONS ARE IN INCHES (MM)



SHORT FORM SPECIFICATIONS

Provide Blodgett half-size hydrovection oven model HV-50E, (single/double) compartment with fully welded angle iron frame. Each compartment shall have 316 stainless steel liner. Unit shall accept five 13" x 18" standard half-size bake pans. Doors shall be stainless steel with dual pane thermal glass windows. Unit shall be electrically heated by three tubular elements. Air in baking chamber distributed by single inlet blower wheel powered by a multiple speed, reversing, 3/4 HP motor with thermal overload protection. Each chamber shall be fitted with bright halogen lamps, and five standard chrome-plated removable racks. Unit shall have manual control with hydro low and hydro high moisture control, hot air and cool down modes. Breaker shut off switch on front panel for easy service. Start-up inspection service by factory authorized service agent. 1 year parts and 1 year labor warranty. Provide options and accessories as indicated.

DIMENSIONS:

Floor space 31.38" (797mm) W x 36.48" (927mm) D
Interior 15.3" (389mm) W x 20.5" (521mm) H x 22" (559mm) D
Product clearance from combustible and non-combustible construction
Oven sides 0" (0mm) Blodgett recommends 4" clearance from any heat source on the control panel side of the oven, an optional heat shield should be considered.
Oven back 0" (0mm)

WATER SUPPLY (per section):

Good quality water feed is the responsibility of the owner. Water quality must be within the following general guidelines.

TDS: 40-125 ppm Hardness: 35-100 ppm pH: 7.0 - 8.5
 Silica: <13 ppm Chlorides: <25 ppm Chlorine: <0.2 ppm
 Chloramine: <0.2 ppm

The best defense against poor water quality is a water treatment system designed to meet your water quality conditions. Blodgett offers optional systems from Optipure.

Pressure: 30(min)-50(max) PSI
Connections: 1" drain connection - max. drain temperature 140°F (60°C)
 3/4" garden hose cold water

Appliance is to be installed with backflow protection in accordance with federal, state or local codes.

Water Consumption 1.5-2.5 GPH based on cooking mode

MAXIMUM INPUT:

Single 13kW
 Double 26kW (13kW each section)

POWER SUPPLY:

V.A.C.	Hz	Phase	kW	Amperes (L1-L2-L3)
208	60	3	13	38/38/34
240	60	3	13	31/31/29

MINIMUM ENTRY CLEARANCE:

Uncrated 32" (813mm)
 Crated 36" (914mm)

SHIPPING INFORMATION:

Approx. Weight
 Per section 350 lbs. (159 kg)

Crate sizes
 35-1/2" (902mm) x 42-1/2" (1079mm) x 37-1/2" (953mm)
 (2 crates required for double)

NOTE: The company reserves the right to make substitutions of components without prior notice

BLODGETT

www.blodgett.com • 44 Lakeside Avenue, Burlington, VT 05401 • Phone: (802) 658-6600 • Fax: (802) 864-0183