

JB625DK

GE® Series 30" Free-Standing Electric Range

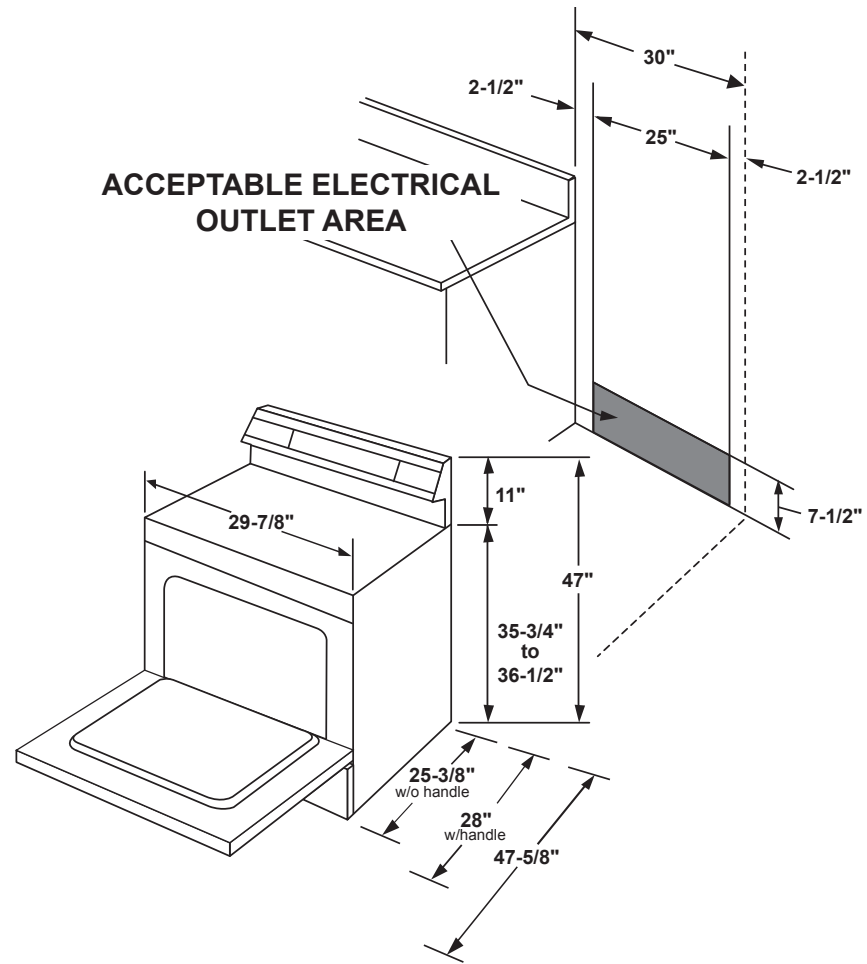
DIMENSIONS AND INSTALLATION INFORMATION (IN INCHES)

RECEPTACLE LOCATIONS

Locally approved flexible service cord or conduit must be used because terminals are not accessible after range installation. See shaded area in drawing for location of electrical outlet box. Recommended outlet locations allow range to be installed directly against wall.

NOTE: This appliance has been approved for 0" spacing to adjacent surfaces above the cooktop. However, a 6" minimum spacing to surfaces less than 15" above the cooktop and adjacent cabinet is recommended to reduce exposure to steam, grease splatter and heat.

INSTALLATION INFORMATION: Before installing, consult installation instructions for current dimensional data and additional requirements.



KW RATING	
240V	10.4
208V	7.8
BREAKER SIZE	
40 Amps†	

†NOTE: Check local codes for required breaker size.



For answers to your Monogram, GE Café™ Series, GE Profile™ Series or GE® Series appliance questions, visit our website at geappliances.com or call GE Answer Center® service, 800.626.2000.



All GE ranges are equipped with an Anti-Tip device. The installation of this device is an important, required step in the installation of the range.



Listed by Underwriters Laboratories

JB625DK

GE® Series 30" Free-Standing Electric Range

FEATURES AND BENEFITS

8" Power Boil element – Get rapid heat from this powerful 2,500-watt element

5.3 cu. ft. oven capacity – Enough room to cook an entire meal at once

Ceramic glass cooktop – Smooth cooktop easily wipes clean

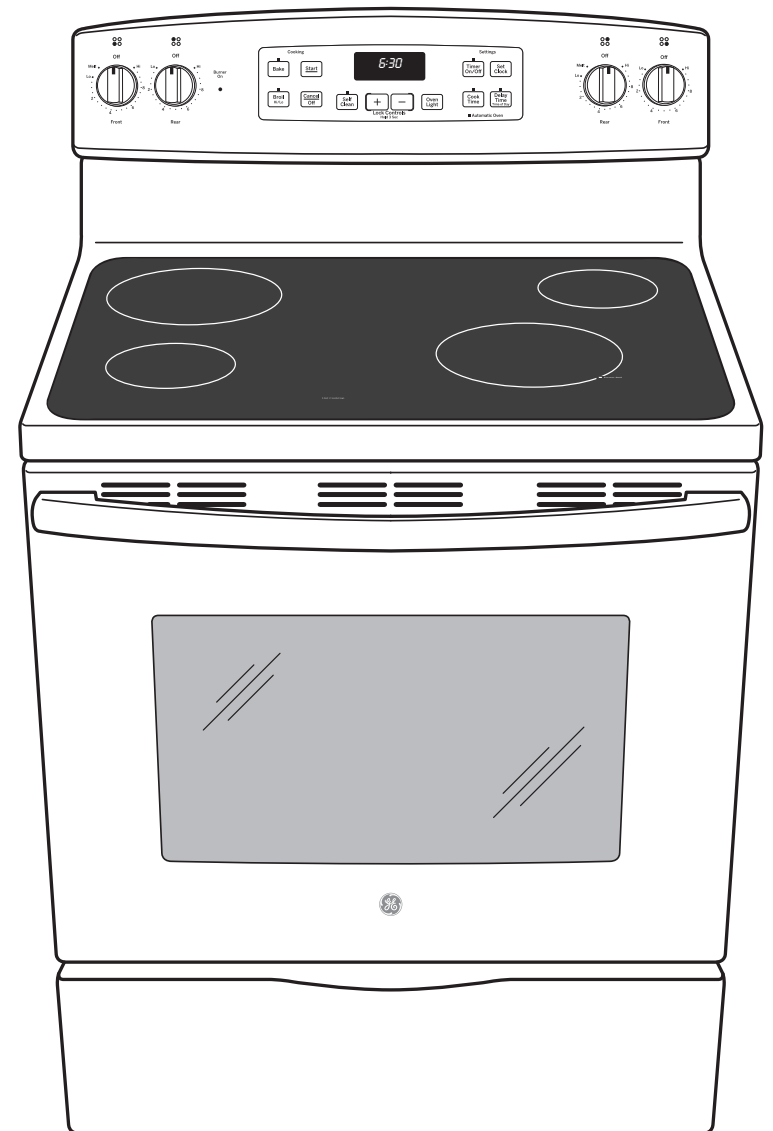
Self-clean oven – Cleans the oven cavity without the need for scrubbing

Removable full-width storage drawer – Store cookware or kitchen accessories

Dual-element Bake – Upper and lower elements produce even heat and great results

Model JB625DKBB – Black on black

Model JB625DKWW – White on white



GE APPLIANCES