



DFG-100 XCEL Full-Size Dual Flow Gas Convection Oven



Project _____

Item No. _____

Quantity _____

Standard depth baking compartment - accepts five 18" x 26" standard full-size baking pans in left-to-right positions.

All data is shown per oven section, unless otherwise indicated.

Refer to operator manual specification chart for listed model names.

EXTERIOR CONSTRUCTION

- Welded full angle-iron frame
- Rigid mineral fiber insulation at top, back, sides and bottom
- Stainless steel front, top, and sides for easy cleaning
- Dual pane thermal glass windows encased in stainless steel door frames
- Porcelain door handle with simultaneous door operation
- Triple-mounted pressure lock door design with turnbuckle assembly
- Modular slide out front control panel for easy access

INTERIOR CONSTRUCTION

- Double-sided porcelainized baking compartment liner (14 gauge) with covered corners for easy cleaning
- Stainless and aluminized steel combustion chamber
- Dual inlet blower wheel
- Eleven rack positions with a minimum of 1-5/8" (41mm) spacing
- Interior oven lights

OPERATION

- Dual Flow Gas system combines direct and indirect heat
- Electronic spark ignition control system
- Long life inshot burners
- Toggle switch to select either 60,000 BTU or 80,000 BTU input
- Manual gas service cut-off switch on front panel
- Solid state thermostat with temperature control range of 150°F (66°C) to 550°F (288°C)
- Two speed, 3/4 horsepower, convection motor with automatic thermal overload protection
- Control area cooling fan

STANDARD FEATURES

- SSI-M - Solid state infinite control w/manual timer
- 25" (635mm) adjustable stainless steel legs (for single units)
- 6" (152mm) adjustable stainless steel legs (for double sections)
- Draft diverter or draft hood for venting (select one)
- Flue connector (for double & additional sections)
- Porcelainized crumb pans collects cooking residues for easy oven cleaning.
- One chrome plated EZ-Slide rack with ball bearing slides capable of gliding completely out of the oven cavity. Heavy duty design holds up to 50 lbs.
- Four chrome-plated racks
- Three year oven parts and two year labor warranty*
- Five year limited oven door warranty*

* For all international markets, contact your local distributor.

OPTIONS AND ACCESSORIES

(AT ADDITIONAL CHARGE)

- **Control options:**
 - SSD - Solid state digital control with LED display,
 - Cook & Hold and Pulse Plus®
- **Legs/casters/stands:**
 - 6" (152mm) adjustable seismic legs
 - 6" (152mm) casters
 - 4" (102mm) low profile casters (double only)
 - 25" (635mm) stainless steel stand w/rack guides
 - 29" (737mm) stainless steel, fully welded open stand with pan supports
- **Gas hose w/quick disconnect restraining device:**
 - 48" (1219mm) hose
 - 36" (914mm) hose
- Stainless steel oven liner
- Extra EZ slide oven racks
- Extra oven racks
- Gas manifold (for double sections)
- Prison package (includes security control panel and stainless steel back)
- Stainless steel solid back panel
- Security control panel

OPTIONS AND ACCESSORIES

(AT NO CHARGE)

- Solid stainless steel doors



Intertek

BLODGETT OVEN COMPANY

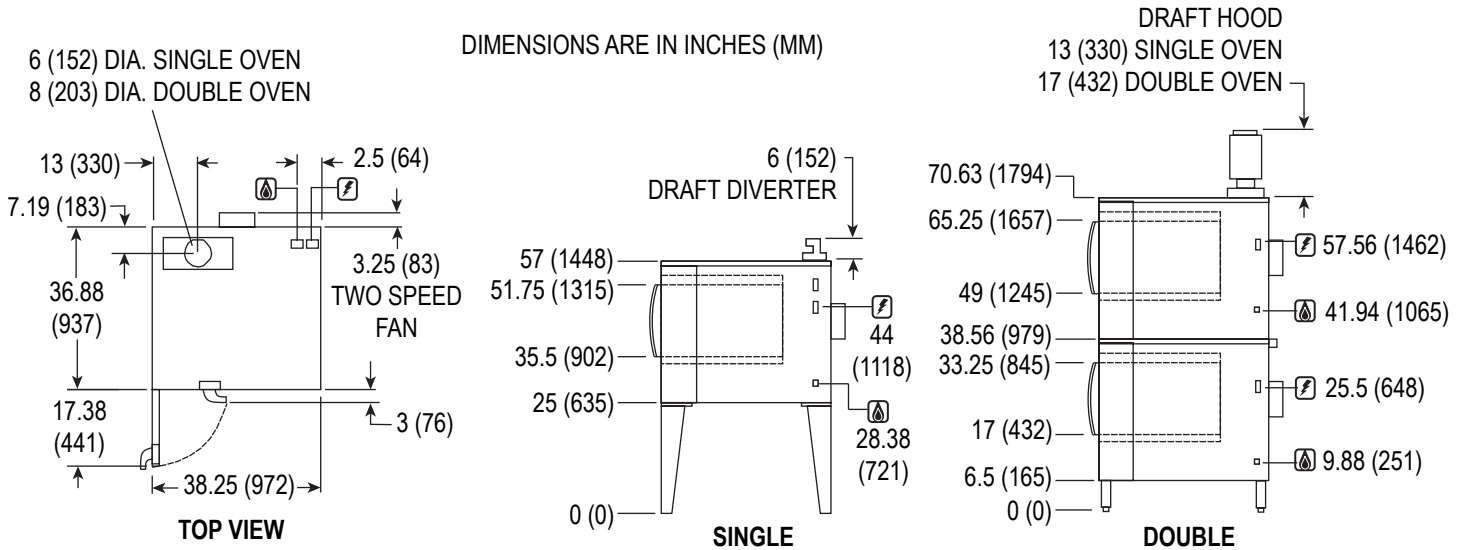
www.blodgett.com • 44 Lakeside Avenue, Burlington, VT 05401 • Phone: (802) 658-6600 • Fax: (802) 864-0183



DFG-100 XCEL



APPROVAL/STAMP



SHORT FORM SPECIFICATIONS: Provide Blodgett full-size convection oven model DFG-100 XCEL, (single/double) compartment with fully welded angle iron frame. Each compartment shall have double-sided, porcelainized or stainless steel liner. Liner to be covered top and bottom. Unit shall accept five 18" x 26" standard full-size bake pans. Stainless steel front, top and sides. Doors shall be triple mounted, dual pane thermal glass windows encased in stainless steel door frames. Porcelain door handle with simultaneous door operation. Unit shall be gas heated with electronic spark ignition and shall cook by means of a dual-flow system combining direct and indirect heat with a toggle switch to select either 60,000 or 80,000 BTUs. Air in baking chamber distributed by dual inlet blower wheel powered by a two-speed, 3/4 HP motor with thermal overload protection. Each chamber shall be fitted with commercial oven lights, one chrome-plated EZ slide racks capable of holding 50 lbs, four standard chrome-plated removable racks and a two piece porcelain crumb pan. Control panel shall be recessed with Cook/Cool Down mode selector, solid state (manual) infinite thermostat (200- 500°F), and 60-minute timer. Manual gas service cut-off switch on front panel. Three year oven parts and two year labor warranty and five year limited oven door warranty. Provide options and accessories as indicated.

DIMENSIONS:

Floor space 38-1/4" (972mm) W x 36-7/8" (937mm) D
 Interior 29" (737mm) W x 20" (508mm) H x 24-1/4" (616mm) D
If oven is on casters
 Single Add 4-1/2" (114mm) to all height dimensions
 Double Height dimensions remain the same
 Double Low Profile Subtract 2-1/2" (64) to all height dimensions

PRODUCT CLEARANCE

Oven back 0" from combustible and non-combustible construction
 Oven sides 0" from combustible and non-combustible construction

MINIMUM ENTRY CLEARANCE:

Uncrated 32-1/16" (814mm)
 Crated 37-1/2" (953mm)

SHIPPING INFORMATION:

Approx. Weight
 Single 590 lbs. (268 kg)
 Double 1095 lbs. (497 kg)
Crate sizes
 37-1/2" (952mm) x 43-1/2" (1105mm) x 51-3/4" (1315mm)
 (2 crates required for double)

GAS SUPPLY:

3/4" NPT
Manifold Pressure:
 Natural 3.5" W.C
 Propane 10" W.C.

Inlet Pressure:

Natural 7.0" W.C. min. – 10.5" W.C. max.
 Propane 11.0" W.C. min. – 13.0" W.C. max.

INPUT:

Single 80,000 BTU/hr (23.5 Kw)
 Double 160,000 BTU/hr (47 Kw)

POWER SUPPLY:

115 VAC, 1 phase, 10 Amp, 60 Hz., 2-wire with ground, 3/4 H.P., 2 speed motor, 1725 and 1140 RPM
 230, 220/240VAC, 1 phase, 3 Amp, 50 Hz., 2-wire with ground, 3/4 H.P., 2 speed motor, 1425 and 950 RPM
 6' (1.8m) electric cord set furnished on 115 VAC ovens only.
 Each unit requires a dedicated 15 amp. circuit.
 Blodgett recommends a Pass & Seymour, model 2095, GFCI for this oven.

NOTE: The company reserves the right to make substitutions of components without prior notice

BLODGETT OVEN COMPANY

www.blodgett.com • 44 Lakeside Avenue, Burlington, VT 05401 • Phone: (802) 658-6600 • Fax: (802) 864-0183