

BERTAZZONI PROFESSIONAL SERIES

36" FREESTANDING FRENCH DOOR

REF36 X + PRO HK36 REF

HIGHLIGHTS

• Temperature controlled crisper

Closed compartment with separate temperature control 32° to 41° F for meat, fish or vegetables.

• Automatic ice maker

Produces 2.6 lbs/24 h of ice with automatic release and removable tray.

• Dual air-cooling system

Independent No-Frost system for refrigerator and freezer compartments for optimized temperature and humidity control.

• Super Freeze

Thanks to the DC inverter compressor super-freeze mode is 20% faster than standard refrigerators.



FEATURES

Style	french door with two separate freezer drawers
Finish	stainless steel, no fingerprint
Handle styles	Professional series
Interface	interior LED touch-interface
Lighting	LED lights on sides and top part of the cabinet
Open door alarm	yes
Temperature controlled crisper	yes
Shelves	2 stationary, 4 height-adjustable
Foldable glass shelf	yes (1)
Drawers refrigerator	2 large + 1 small (humidity controlled)
Drawers freezer	2
Tray freezer	1 for ice cubes collection
Door storage compartment	2 stationary + 4 gallon-sized and height-adjustable
Ice maker	automatic, 2.6 lbs/24 hr capacity of ice

TECHNICAL SPECIFICATIONS

Voltage, frequency	115V, 60Hz
Max Amp Usage, power rating	2.7A, 140W
DOE compliant	yes
Power inlet	rear of product
Water inlet	rear of product
Certification	CSA
Warranty	2 years parts and labor

CAPACITY

Refrigerator capacity	15 cu.ft
Freezer capacity	6 cu.ft
Total capacity	21 cu.ft

OPTION

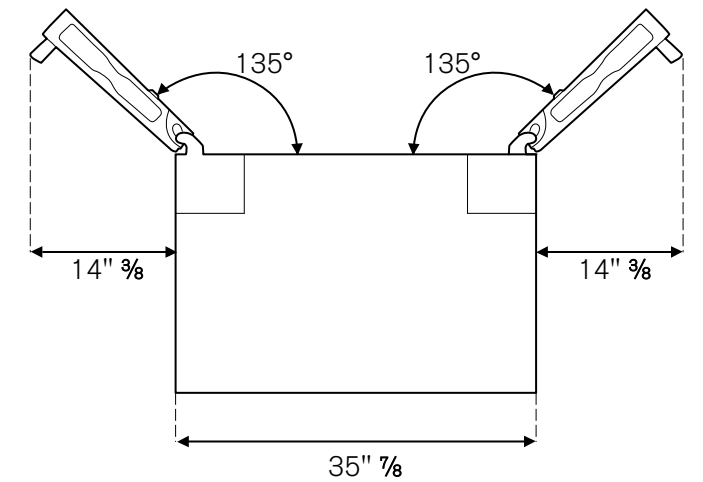
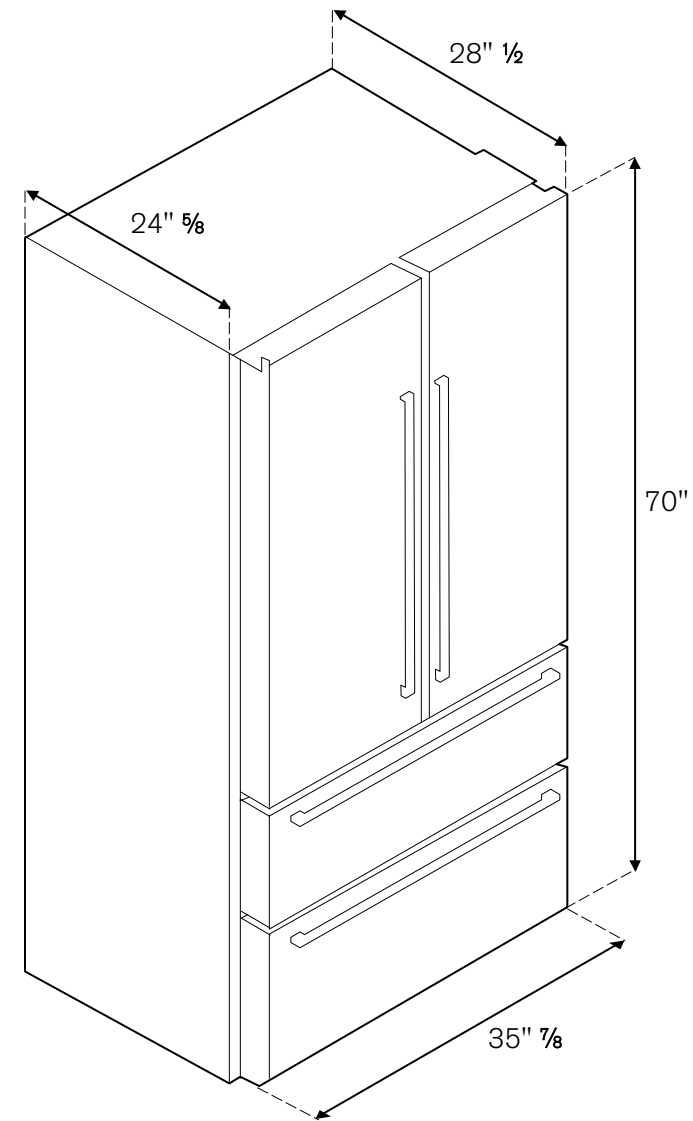
super freeze, ice maker on/off, holiday mode, eco mode

BERTAZZONI PROFESSIONAL SERIES

36" FREESTANDING FRENCH DOOR

REF36 X + PRO HK36 REF

INSTALLATION INSTRUCTIONS



DIMENSIONS

Depth with handles	30 1/4"
Depth without handles	28 1/2"
Depth corpus	24 5/8"
Height	70"
Width	35 7/8"
Counter Deep	yes

Refrigerator handles are provided separately with dedicated commercial code and packaging.

Disclaimer: while every effort has been made to insure the accuracy of the information contained in this brochure, Fratelli Bertazzoni reserves the right to change any part of the information at any time without notice.

Fratelli Bertazzoni, Bertazzoni and the winged wheel brand icon are registered trademarks of Bertazzoni Spa.

WWW.BERTAZZONI.COM



TO COOK BEAUTIFULLY
WWW.BERTAZZONI.COM