



**AGA DUAL CONTROL
Electric
Model No. - DC3**

*Installation
Guide*

REMEMBER: when replacing a part on this appliance, use only replacement parts that you can be assured conform to the safety and performance specification that we require. Do not use reconditioned or copy parts that have not been clearly authorized by AGA.




**PLEASE READ THESE INSTRUCTIONS BEFORE COMMENCING SITE SURVEY
OR INSTALLING THIS APPLIANCE.**

IMPORTANT : SAVE INSTRUCTIONS FOR FUTURE REFERENCE
IMPORTANT : CONSERVER CES INSTRUCTIONS POUR REFERENCE FUTURE

CONTENTS

SECTION	PAGE
PRODUCT SAFETY	3
GENERAL NOTES	4
DELIVERY REQUIREMENTS	4
GENERAL INSTALLATION REQUIREMENTS	4
APPLIANCE DIMENSIONS - AGA DC3	5
INSTALLATION	6 - 7
CONNECTION TO THE POWER SUPPLY - AGA DC3	8
MAINS SUPPLY LOCATION - AGA DC3	9
AGA DC3 HANDRAIL CONNECTION	10
WIRING DIAGRAM - AGA DC3	11
INSTRUCTIONS	12

PRODUCT SAFETY

MEANING/DESCRIPTION	SYMBOL	SIGNIFICATION/DESCRIPTION
<p>WARNING/CAUTION</p> <p>An appropriate safety instruction should be followed or caution to a potential hazard exists.</p>		<p>AVERTISSEMENT</p> <p>Une consigne de sécurité appropriée doivent être suivies ou garde d'un danger potentiel exists.</p>
<p>DANGEROUS VOLTAGE</p> <p>To indicate hazards arising from dangerous voltages.</p>		<p>TENSION DANGEREUSE</p> <p>Pour indiquer les dangers résultant des tensions dangereuses.</p>
<p>PROTECTIVE EARTH (GROUND)</p> <p>To identify any terminal which is intended for connection to an external conductor for protection against electric shock in case of a fault, or the terminal of a protective earth (ground) electrode.</p>		<p>TERRE DE PROTECTION</p> <p>Pour marquer bornes destinées à être raccordées à un conducteur de protection extérieur contre les chocs électiques en cas de défaut d'isolement, ou pour marquer la borne de la terre de protection.</p>
<p>HEAVY</p> <p>This product is heavy and reference should be made to the safety instructions for provisions of lifting and moving.</p>		<p>LOURD</p> <p>Ce produit est lourd et doit être fait référence auc consignes de sécurité relatives aux dispositions de soulever et déplacer.</p>
<p>DISCONNECT MAINS SUPPLY</p> <p>Disconnect incoming supply before inspection or maintenance.</p>		<p>APPAREIL À LASER DE CLASSE 2</p> <p>Alimentation d'entrée Débrancher avant inspection ou d'entretien.</p>
<p>REFER TO MANUAL</p> <p>Refer to relevant instructions detailed within the product manual.</p>		<p>ATTENTION, SURFACE TRÉS CHAUDE</p> <p>Reportez-vous aux instructions applicables, indiquées dans le manuel du produit.</p>

GENERAL NOTES

NOTE: THESE INSTALLATION INSTRUCTIONS SHOULD BE LEFT WITH THE RANGE AND THE USER TO RETAIN FOR FUTURE REFERENCE.

Before installation of an AGA can be made, the site is inspected for suitability by an authorized AGA distributor and corrected where necessary to conform with local or regional electrical codes.

DELIVERY REQUIREMENTS

The AGA DC3 arrives on 1 pallet.

There must be access to the kitchen to manipulate a foot print of 39 ⁹/₁₆" (1005mm) x 29 ¹/₈" (740mm). A wooden template (skate with castor wheels) of dimensions 39 ⁹/₁₆" (1005mm) x 29 ¹/₈" (740mm) could be used to check if the AGA Dual Control fully built appliance is able to fit through the property grounds and doors into its installation position in the kitchen. It must also be considered that the height of the appliance is 37 ³/₄" (960mm) off pallet and 43 ¹/₄" (1100mm) on the pallet, so high level obstacles/restrictions must not be overlooked.

GENERAL INSTALLATION REQUIREMENTS

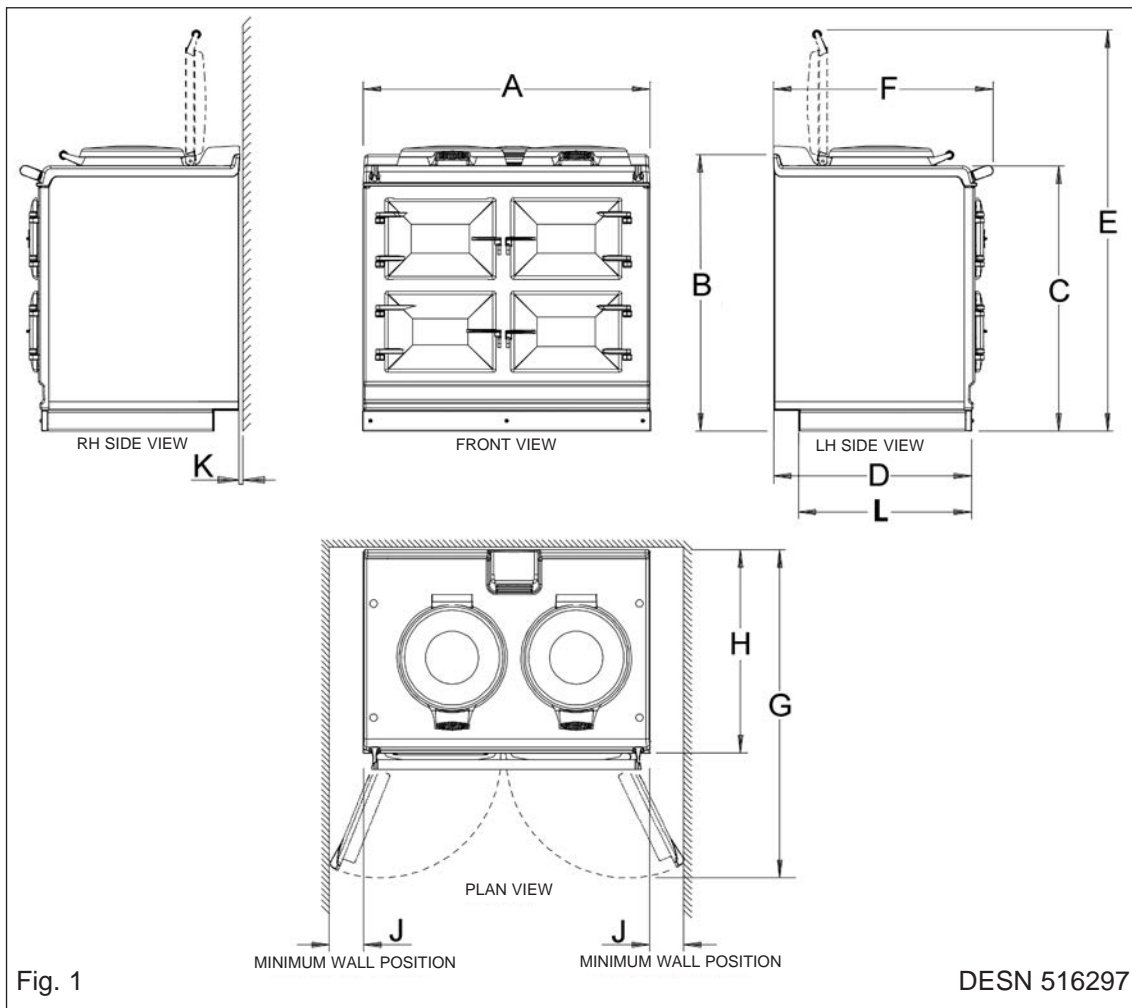
The installation of the range must be in accordance with the relevant requirements of the local Wiring and Building Regulations. It should be in accordance also with any relevant requirements of the local or state codes.

In your own interest and that of safety to comply with the law, all appliances should be installed by an authorized AGA distributor in accordance with the relevant regulations.



CAUTION:
**THIS UNIT IS HEAVY, PROPER EQUIPMENT AND ADEQUATE
MANPOWER MUST BE USED IN MOVING THE RANGE TO
AVOID DAMAGE TO THE UNIT OR THE FLOOR**

RANGE DIMENSIONS - AGA DC3



	A	B	C	D	E	F	G	H	J	K	L
mm	987	951	913	680	1388	760	1145	698	116	10	634
pouces	38 ^{7/8}	37 ^{3/8}	35 ^{7/8}	26 ^{3/4}	54 ^{5/8}	29 ^{7/8}	45 ^{1/8}	27 ^{1/2}	4 ^{9/16}	^{3/8}	25

Range Dimensions

When surveying for a range installation the actual clearance required for the 'body' of the appliance should be increased by 3/8" (10mm) beyond the figures quoted above. This allows safe margin to take into account the natural dimensional variations found in major castings. In particular the width across the appliance recess could be critical.

APPLIANCE WEIGHT (Excludes Packaging)

Model: AGA Dual Control (DC3) - 978 lbs

DATA PLATE LOCATED BEHIND BOTTOM PLINTH.

INSTALLATION

Range Base or Hearth

It is essential that the base or hearth on which the range stands should be level and be capable of supporting the total weight of the range. The base of the built-in AGA plinth must be level and sit above finished floor height for service access.

Plinth

The front plinth cover is removable and must not be obstructed by flooring or tiles. If necessary the range must be raised by the thickness of the tiles to ensure the plinth can be removed.

Rear Wall

Since this appliance runs continuously, please take note of these **IMPORTANT** instructions:

Combustible Walls

Houses constructed of combustible materials (such as all-timber or stud wall partitions and batoned plasterboarded walls) require special wall heat protection features.

Non-combustible material behind a range must be of at least 1" (25mm) thick insulation board (Monolux or equivalent), up to hotplate level.

SPECIAL NOTE: Ensure electric cabling or plastic services do not pass within or on the outside of the wall, behind or directly above the range.

This type of material can age prematurely when exposed to continuous higher ambient temperature.

Alternatively the range can be spaced 1 1/2" (38mm) away from the wall to create an air gap.

The air gap must be left open and **NOT** blocked off across the top edge.

Side Clearances

A 1/8" (3mm) gap is required each side between the range top plate and adjoining work surfaces that may be fitted, this is to allow for the safe removal of the top plate should this be required at a later date.

Where ranges are to be fitted against a side wall a 4 9/16" (116mm) side clearance is required on the right and left hand side for oven door access.

If the AGA is to be installed in a brick recess, then the minimum clearance should be increased by at least 3/8" (10mm), to allow for the walls not being square.

In addition a minimum clearance of 39 3/8" (1000mm) must be available at the front of the range to enable the range to be serviced.

Tiling

When the range is to stand in a recess or against a wall which is to be tiled, under no circumstances should the tiles overlap the range top plate, access to remove the hotplate must be allowed for servicing at a later date.

A gap of at least 3/8" (10mm) must be observed between the rear of the top plate and the wall behind the range.

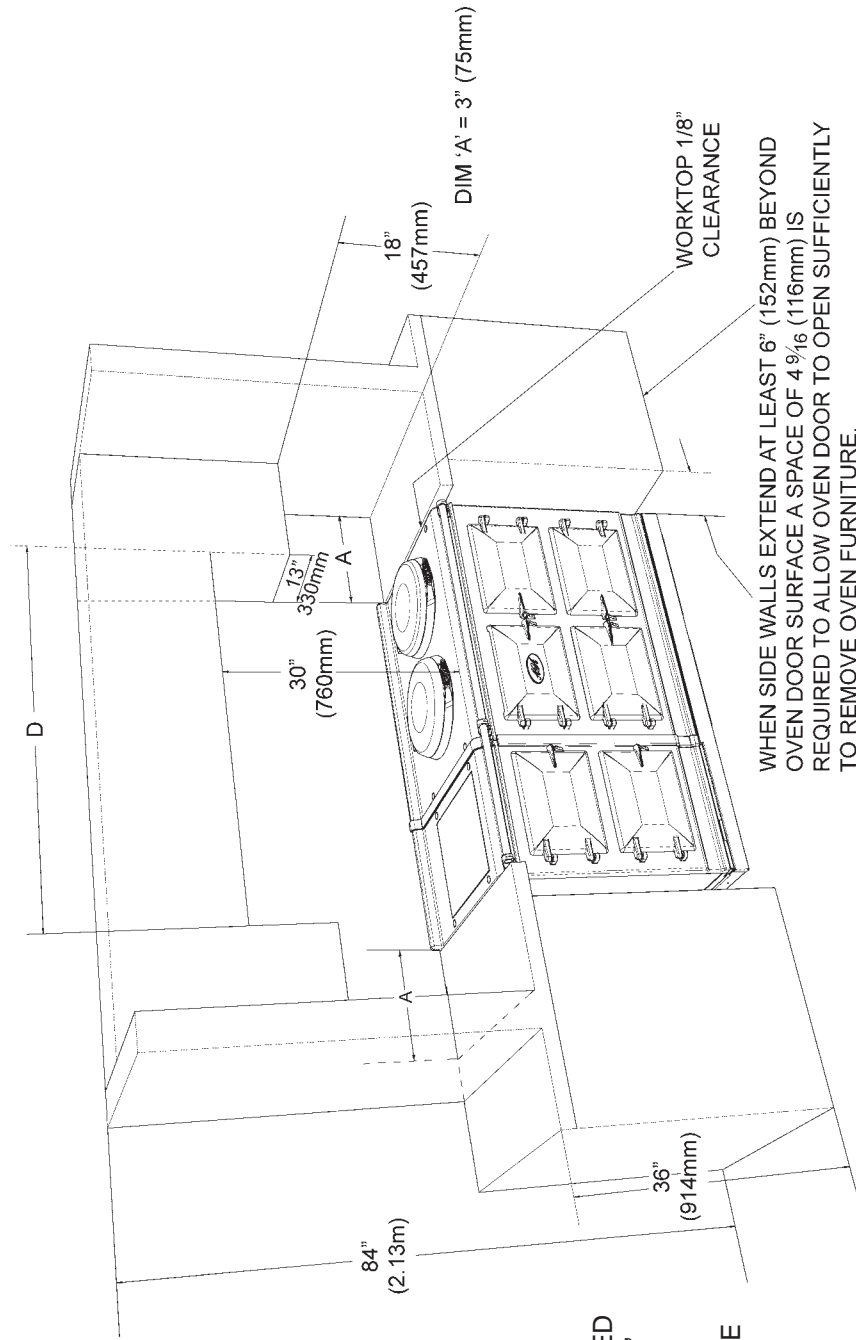


Overhead Cabinets

To eliminate the risk of burns or fires by reaching over hot surface units, cabinet storage space located above the surface units should be avoided.

Installation Clearance of Combustible Cabinets Adjacent to Range

1/2" CLEARANCE TO THE BACK OF THE RANGE MAY BE OBTAINED WHEN INSTALLING THE APPLIANCE AGAINST A NON-COMBUSTIBLE WALL OR IF THE WALL BEHIND THE RANGE IS DEEMED COMBUSTIBLE THEN THE MINIMUM SPACING FROM THE BACK OF THE RANGE TO THE NEAREST COMBUSTIBLE WALL IS 1 1/2" (38mm).



WHEN SIDE WALLS EXTEND AT LEAST 6" (152mm) BEYOND OVEN DOOR SURFACE A SPACE OF 4 9/16" (116mm) IS REQUIRED TO ALLOW OVEN DOOR TO OPEN SUFFICIENTLY TO REMOVE OVEN FURNITURE.

NOTE: ANY OVERHEAD FITTED CABINETS MUST NOT EXCEED 13" PROJECTED DEPTH ABOVE THE RANGE. DIM 'D' TO BE NOT LESS THAN THE NORMAL WIDTH OF THE RANGE.

Fig. 2

DESN 516668

CONNECTION TO THE POWER SUPPLY - AGA DC3



Electric Shock Hazard



Rating plate is located behind removable plinth, see Fig. 4, Page 9

Electrical grounding is required on this appliance.

DO NOT connect to the electrical supply until the appliance is permanently grounded.

This appliance must be connected to a grounded metallic permanent supply or a grounding connector should be connected to the grounding terminal or wire lead on the appliance.

Failure to follow these instructions could result in death or serious injury.

This range must be supplied with a 240V, 60Hz power supply and connected to an individual, properly grounded branch circuit protected by a circuit breaker. At 240V, it has a maximum load of 30 amps. Electric hook-up must be done by a licensed electrician. This unit must be installed according to local codes, or in the absence of local codes, the National Electrical Code for the country of installation.

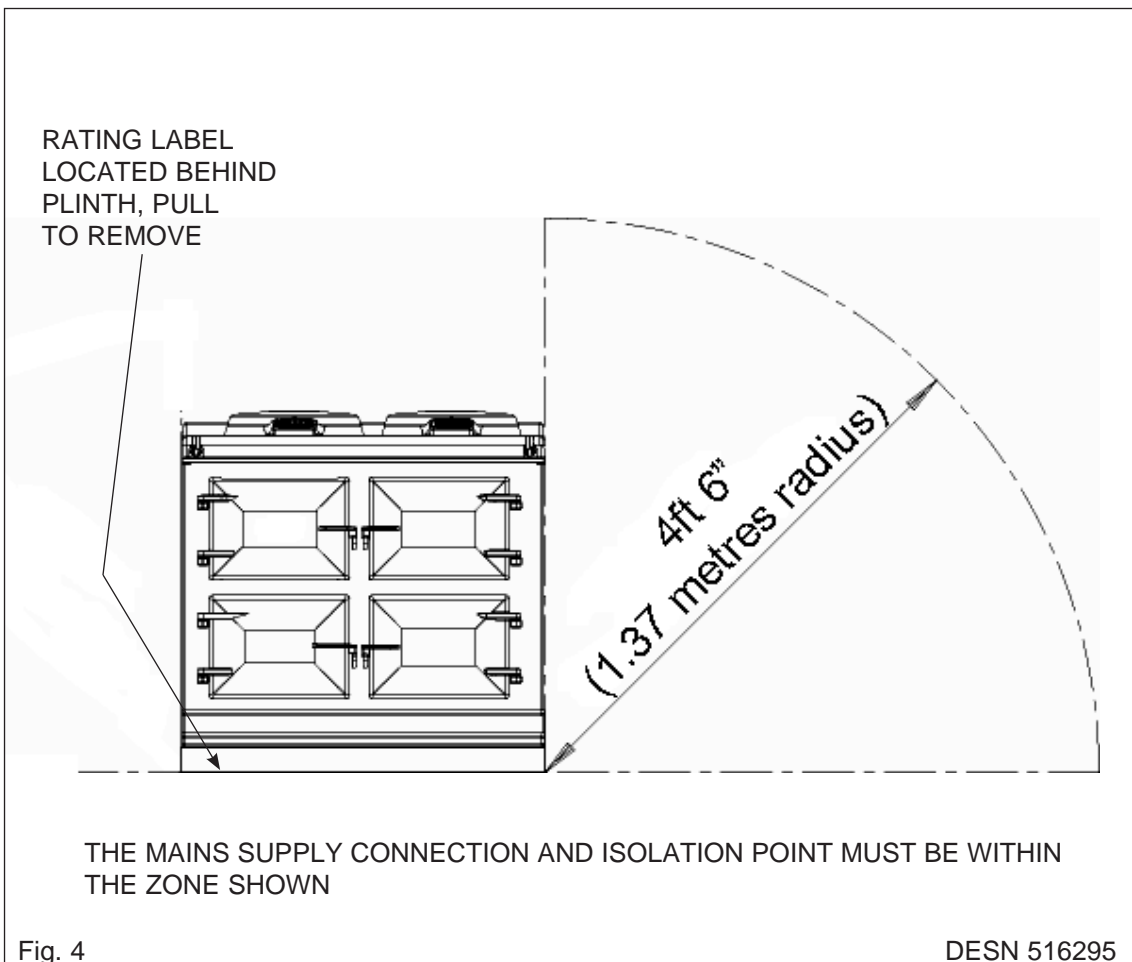
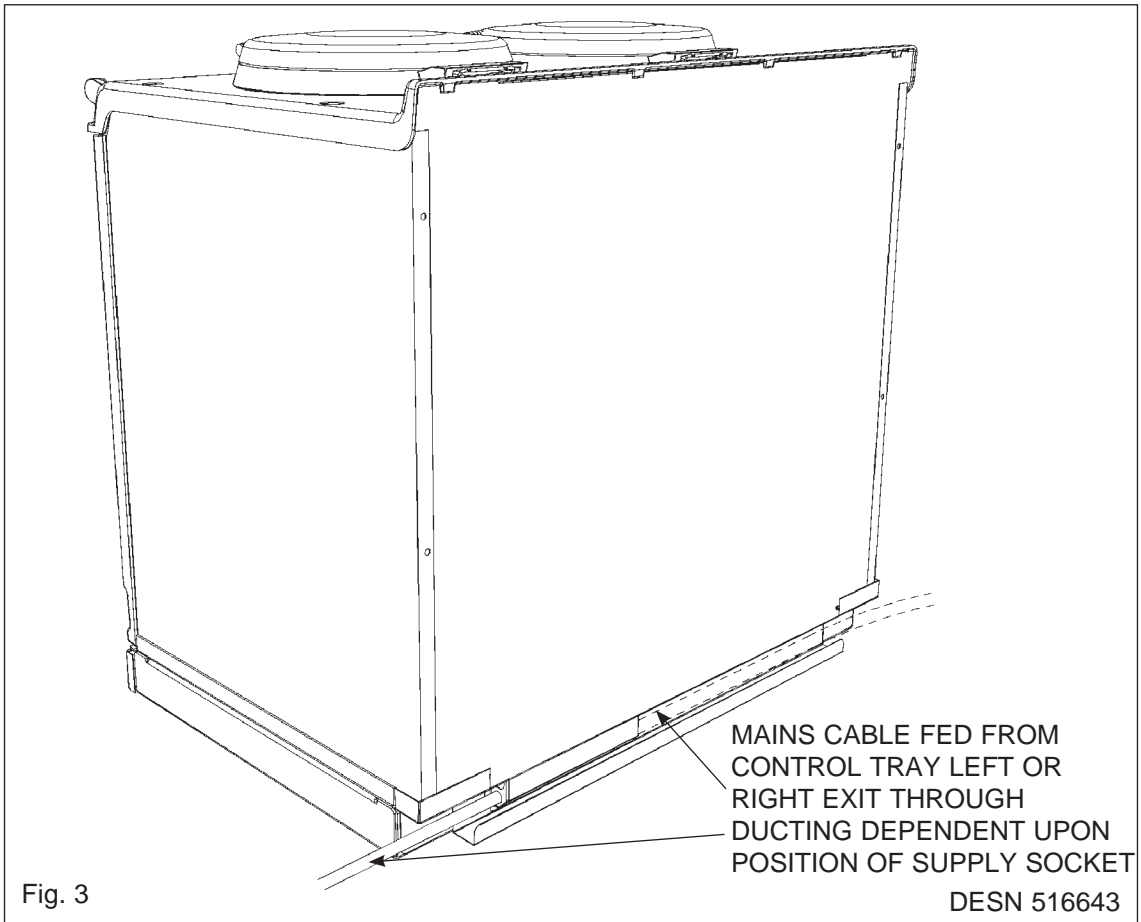
- Product installation requires a separate (not shared) 240V/40 amp circuit protected by an appropriate branch circuit supply.
- The service cord on your range is fitted with a standard four (4) prong type 14-50P plug (matching receptacle 14-50R).

The method of connection to the mains electricity supply must facilitate complete electrical isolation of the appliance.

The mains connection and isolation should not be positioned above the range and must be positioned within the area defined in Fig. 4, Page 9.

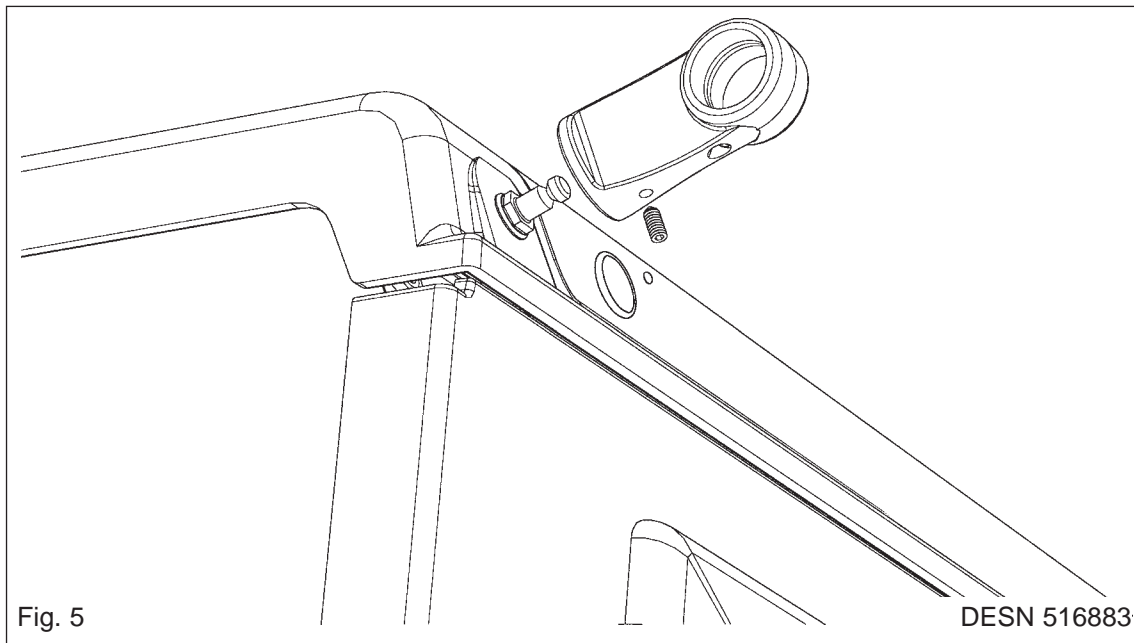
THIS RANGE MUST BE COMPLETELY ISOLATED FROM THE ELECTRICITY SUPPLY BEFORE SERVICING. THE RANGE IS DESIGNED FOR THE VOLTAGE STATED ON THE RATING PLATE, WHICH IS SITUATED BEHIND THE PLINTH COVER.

MAINS SUPPLY LOCATION - AGA DC3



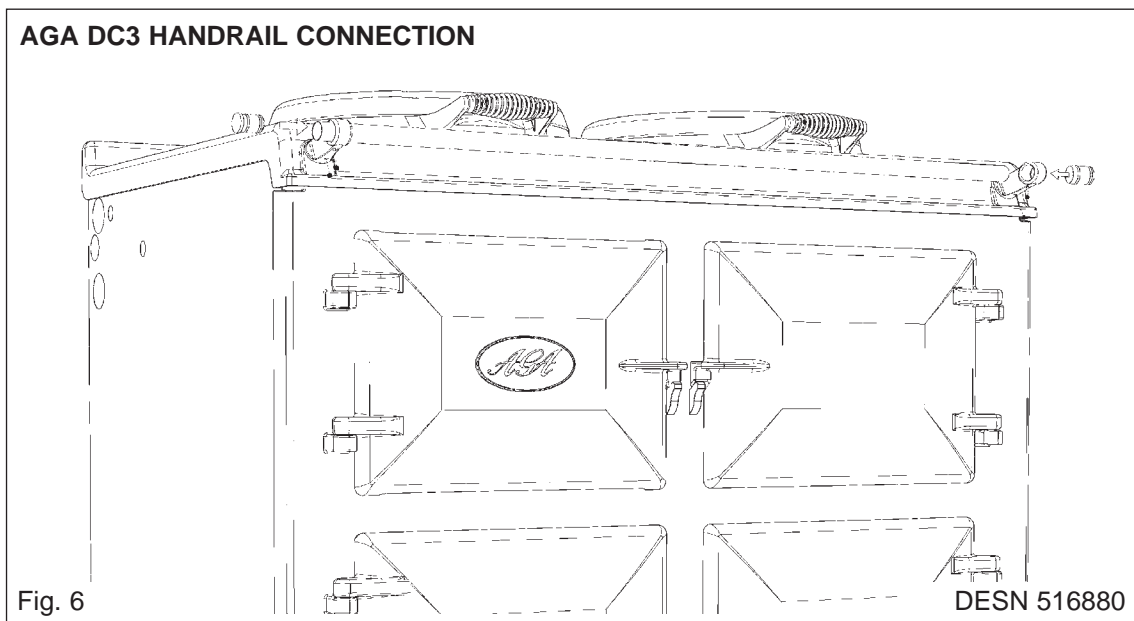
AGA DC3 HANDRAIL CONNECTION

1. Fit the handrail bracket over the fixing stud located on the top plate. Lock into position by tightening the grub screw nearest the appliance. (See Fig. 5).



2. Next the handrail, endcaps and handrail require assembly.

Slide the handrail through the handrail brackets.



3. Once the handrail assembly is located squarely, lock the handrail in position by winding in the grub screws on the underside of each handrail bracket.
4. Once the handrails are locked in position, fit the handrail endcaps. The endcaps should be carefully pushed into place until they sit flush with the outside face of each bracket (a light smear of lubricant such as, washing up liquid on the end cap 'O' rings may ease fitment).
5. Finally, fit the plinth fascia to the magnets on the front of the plinth. Make sure that the plinth fascia is centrally located and does not overhang the range.

Commission the AGA Dual Control, as stated in the relevant Installation Instructions and carry out functional test on each of the features of the AGA Dual Control.

WIRING DIAGRAM - AGA DC3

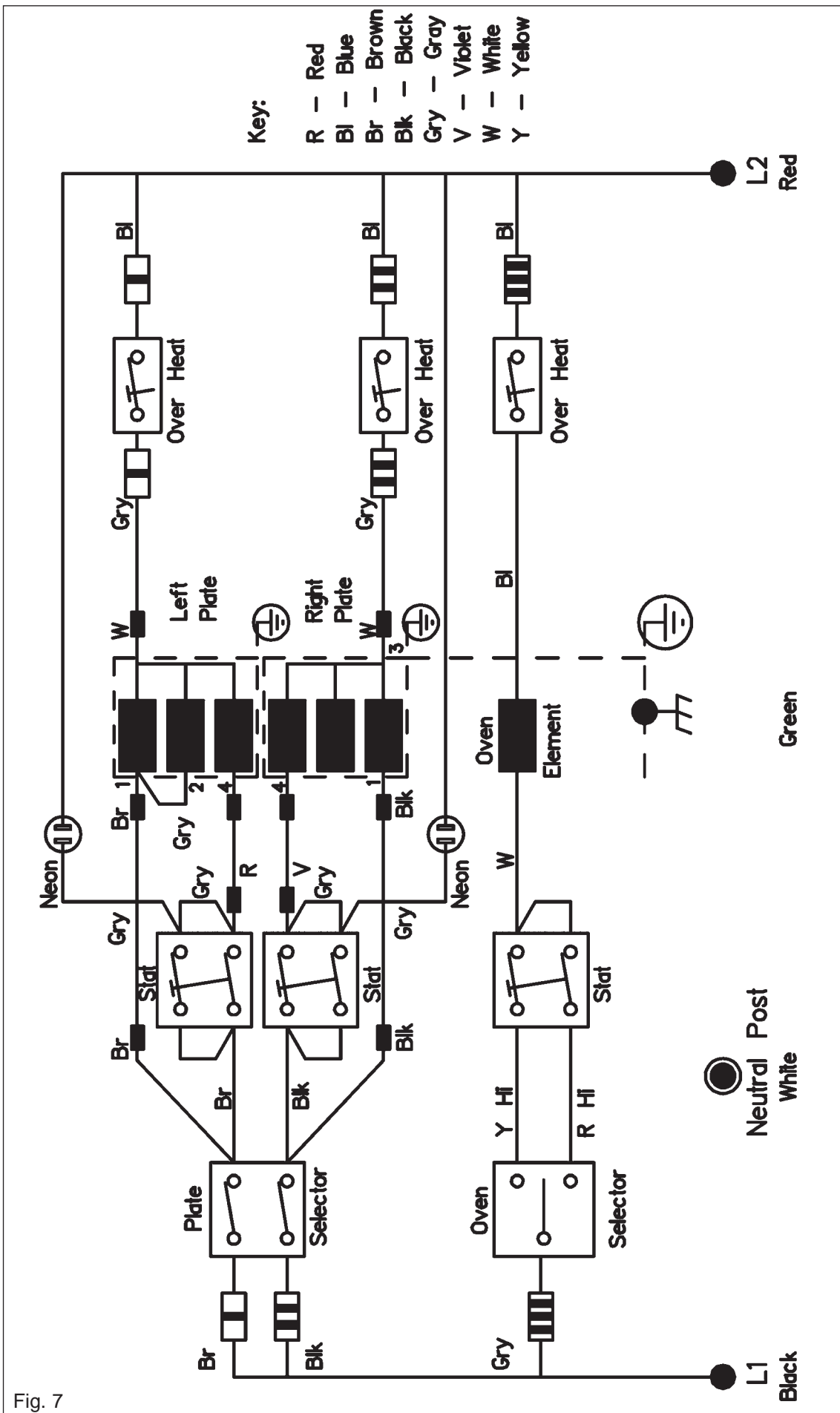


Fig. 7

INSTRUCTIONS

Hand the Users Guide to the user for retention and instruct in the safe operation of the range.

Advise the user that, for continued efficient and safe operation of the range, servicing is carried out at intervals recommended by the AGA distributor.

When replacing a part on this range, use only replacement parts that you can be assured conform to the safety and performance specification that we require. Do not use reconditioned or copy parts that have not been clearly authorised by AGA.

**For further advice or information contact
your local AGA Specialist**

With AGA Marvel's policy of continuous product improvement, the Company reserves the right to change specifications and make modifications to the appliance described and illustrated at any time



Supplied by

AGA Marvel
1260 E. Van Deirse St.
Greenville, MI, 48838

Business (616) 754-5601
Fax (616) 754-9690
Toll Free Telephone 800-223-3900

www.agamarvel.com