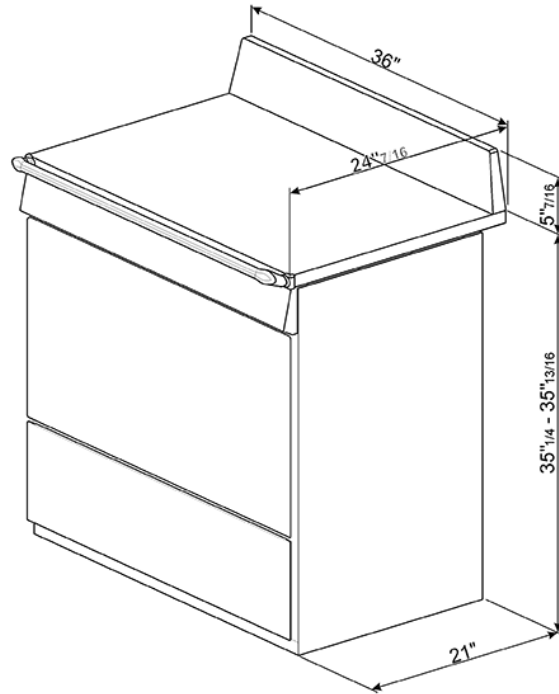




TRU36GGBL

Free-standing All-Gas "Victoria" Range  
36" - Glossy black  
EAN13: 8017709220938



• **Traditional Style** • Electronic clock with programmable features • Full-width continuous grates • Stainless steel storage drawer beneath the oven • 1 1/4" Island Trim • **Gas oven:** • 2 cooking modes • Programmable timer • Adjustable thermostat 122° -500°F • Air-cooled triple-glazed removable door • True European convection • Oven capacity: 4.4 cu. ft. • "Ever-Clean" enameled interior cavity • 4 shelf positions • 2x halogen oven lights • Bake element 1.7 kW • Broil element 2.9 kW • Convection element 1.55 kW • **Gas Rangetop:** • 5 gas burners • Right-rear 6500 BTU • Left-rear 6500 BTU • Right-rear 3400 BTU • Left-front 10000 BTU • Central double-inset super burner 18000 BTU • Heavy-duty cast iron grates • Automatic electric ignition • LP gas conversion kit included • **Safety:** • Gas safety valves • Air-cooled door to prevent overheating • Connected load nominal power: 240/120V • Voltage rating: @ 240/120V 60Hz • Amp supply required: 240/120V - 15/13.5Amps • Gas inlet location: back top-right • **Accessories included:** • 1 wok ring • 1 moka ring • 1 rotisserie kit • 2 baking trays • 2 chrome shelves • 5 1/3" backsplash

## Functions



Main Oven

## Versions

• TRU36GGX - Stainless steel • TRU36GGP - Cream enamel