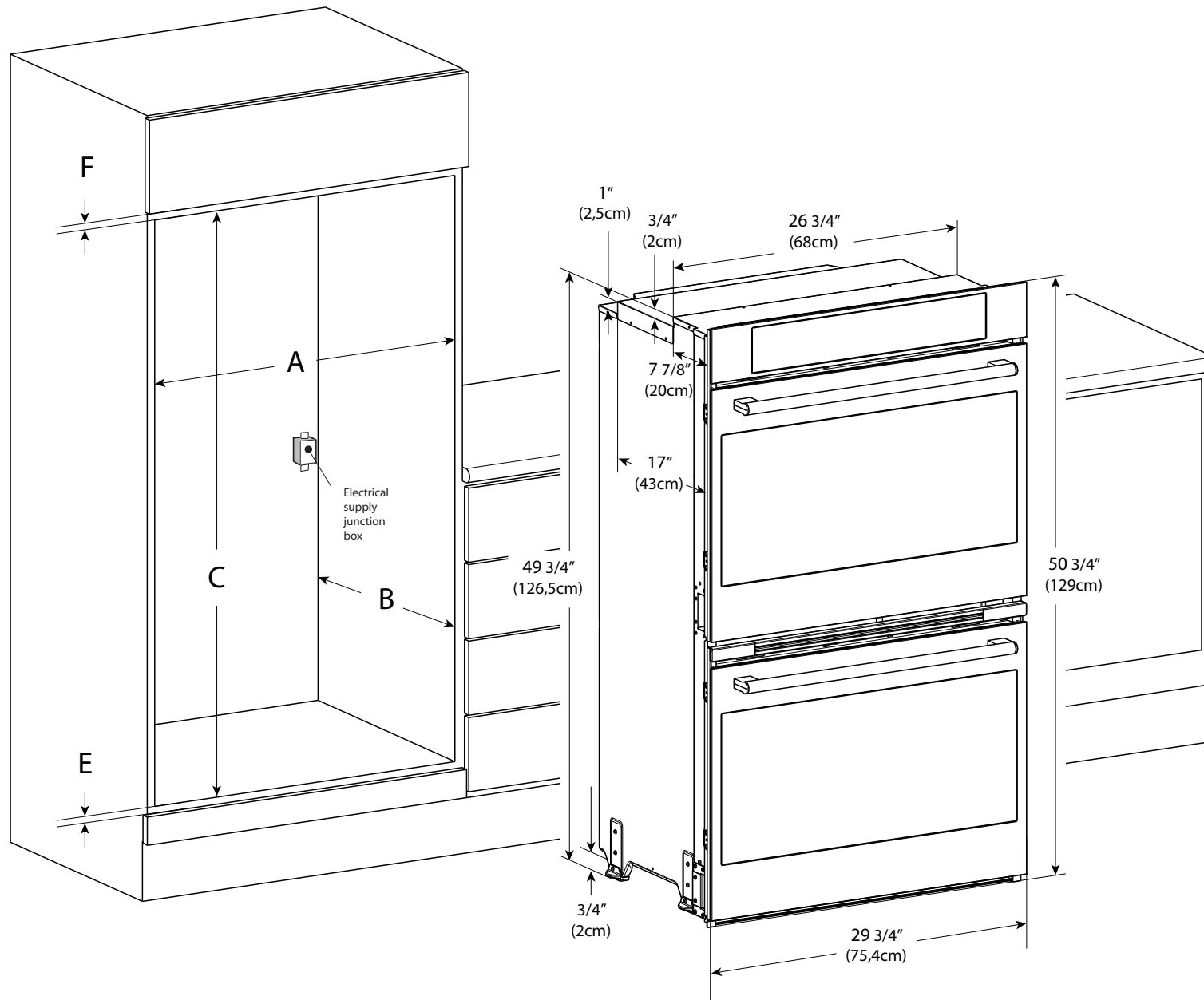


# FULGOR MILANO

30" Wall Double Oven 600/700 SERIES

Weight & Dimensions



Ltr.	CUTOUT DIMENSION	inch	cm
A	Cutout Width	28 7/16"	72,2cm
B	Cutout Depth	24"	61cm
C	Cutout Height	50"	127cm
D	Floor Bottom of Cutout	NA	NA
E	Minimum Spacing	1/2"	1,3cm
F	Minimum Spacing	1"	2,5cm

PACKAGING		lb / inch	Kg / mm
GROSS WEIGHT		326 lb	148 Kg
DIMENSION	W	33"1/2	850
	D	30"5/16	770
	H	54"1/2	1380

