



Heat Sentry™ detects excessive heat and adjusts speed to high automatically.

Bright halogen lighting floods the cooktop and surrounding area for clear visibility.

Control features 5-minute delay-off and reminder light for filter cleaning.

Works with optional Universal Make-Up Air Dampers.

Model Numbers:

WTT32I30SB

WTT32I36SB

WTT32I42SB

WTT32I48SB



Four-speed electronic pushbutton control provides full range of operation.



Quick-release stainless steel with mesh grease filter is dishwasher safe.



Hood Sizes

Internal HP6 Blower Widths	30", 36", 42"
Internal HP12 Blower Widths	48"
Depth	22"

Finish

Stocked	Brushed Stainless Steel
Special Order	Not Available

Features

Lighting Type	Halogen 50W, GU10
Number of Lamps	2 on 30", 36" 3 on 42", 48"
Lighting Levels	3
Lighting Lamps Included	Yes
Control Type	4-speed Electronic Pushbutton
Control Features	Heat Sentry™, Delay Off, Filter Clean Reminder
Remote Control	Not Available
Filter Type	Stainless Steel with Mesh Grease Filter
Non-ducted Capability	Yes for 30", 36" and 42"

Hood Blower Included (WTT32I)

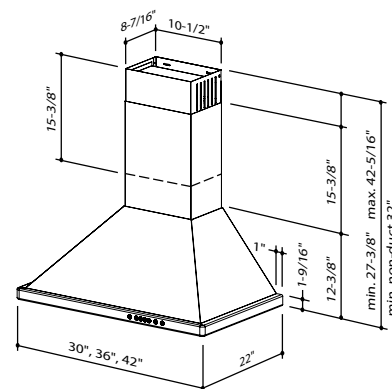
Internal	HP6	HP12
Blower CFM	600	1200
Sones Low/High	1.2/9.5	2.0/12

Accessories

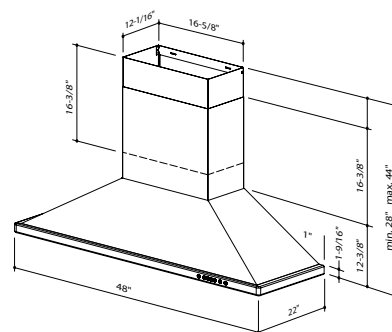
10' Flue Extension	AEWTT32SB for 30", 36", 42" AEWTT328SB for 48"
Non-Duct Recirculating Kit	ANKWTT320 for 30"; ANKWTT326 for 36" & 42"
Automatic Make-up Air Damper	MD6T, MD8T or MD10T

Installation Requirements

Amps @ 120V	4.5 (30", 36"), 5.0 (42"), 7.5 (48")
Electrical	Plug In
Duct Size	Internal 600 CFM Blower: 8" Round
Duct Size	Internal 1200 CFM Blower: 10"
Duct Direction	Vertical
Backdraft Damper	Included



Reversible telescopic flue allows non-ducted recirculation. (see page 68)



Installation height above the cooking surface: 24"-30"

Telescopic flue for 8'-9' ceiling is standard. Optional flue extensions for 10' ceiling

For more details see the product specifications sheet found at www.BESTRangeHoods.com