

SUMMIT

SUMMIT

C O M M E R C I A L

PUB CELLARS

Models: FF7LBLPUB series (SUMMIT Commercial)
FF29KDTPUB series (SUMMIT)
FF63BDTPUB series (SUMMIT)
SCR312LPUB series (SUMMIT Commercial)
SCR600BLPUB series (SUMMIT Commercial)



FF7LBLPUB



SCR600BLPUB

Instruction Manual

**BEFORE USE, PLEASE READ AND FOLLOW
ALL SAFETY RULES AND OPERATING INSTRUCTIONS**

Write Model and Serial Numbers here:

Model _____

Serial No. _____

FELIX STORCH, INC.
770 Garrison Avenue
Bronx, NY 10474
www.summitappliance.com

Table of Contents

Introduction	2
Important Safeguards	3 - 4
Description of Models	5 – 9
<i>FF7LBLPUB series</i>	5
<i>FF29KDTPUB series</i>	6
<i>FF63BDTPUB series</i>	7
<i>SCR312LPUB series</i>	8
<i>SCR600BLPUB series</i>	9
Installation Instructions	10 - 14
<i>Before Using Your Appliance</i>	10
<i>Installing the Pub Cellar</i>	10 - 11
<i>Electrical Connection</i>	11
<i>Extension Cord</i>	11
<i>Reversing the Door Swing</i>	11 - 13
<i>Door Handle Installation</i>	13 - 14
Operating Your Pub Cellar	14 - 16
<i>Digital Thermostat</i>	14 - 15
<i>Defrosting Your Appliance</i>	15
<i>Door Lock</i>	16
<i>Important Notes</i>	16
Care and Maintenance	17
<i>Cleaning Your Appliance / Power Failure / Vacation Time / Moving your Appliance / Energy-Saving Tips</i>	
Troubleshooting	18
Limited Warranty	19

Introduction

SUMMIT's line of Pub Cellars offers the ideal conditions for storing and displaying bottled and canned beer, as well as wines. These units are especially suited to the storage of craft beers. The digital thermostat is set to a warmer temperature range (41 to 65°F) to ensure the right conditions for these specialty brews.

Bottled beers should never be stored under bright lights, especially not fluorescent or sunlight, because bright light can quickly "skunk" the beer, especially if stored in green or clear bottles. Many of our Pub Cellars have solid doors, and those with glass doors are available with various degrees of tinting to prevent overexposure to light.

Bottled beers should be stored standing straight up on their bases – and not on their sides like wine. Storing upright ensures that any sediment common in many styles of craft beer will settle to the bottom of the bottle. With the sediment at the bottom, you have the choice of leaving it in the bottle or pouring it into the glass. Our Pub Cellars have adjustable shelving to allow your bottled beer to be stored upright.

Storing a beer perfectly can be tricky. You want to keep it cool enough that fermentation doesn't get out of hand and shorten the lifespan of the beer, while keeping it too cold puts your beer at risk of having a constant cloudy look. Specifically, strong beers tend to prefer temperatures of 55 to 60°F. Standard ales and stouts do better at slightly chillier temperatures of 50 to 55°. Lighter beers need temperatures of 45 to 50°F. SUMMIT's Pub Cellars can accommodate all of these temperature ranges.

Whichever model you've chosen, you're assured of quality construction, attractive appearance and an experienced staff of SUMMIT professionals to back up our product. Cheers!

IMPORTANT SAFEGUARDS



Before the refrigerator is used, it must be properly positioned and installed as described in this manual, so read the manual carefully. To reduce the risk of fire, electrical shock or injury when using the refrigerator, follow basic precautions, including the following:

DANGER

- Plug into a grounded 3-prong outlet, do not remove grounding prong, do not use an adapter, and do not use an extension cord.
- It is recommended that a separate circuit, serving only your refrigerator be provided. Use receptacles that cannot be turned off by a switch or pull chain.
- Never clean refrigerator parts with flammable fluids. These fumes can create a fire hazard or explosion.
- Do not store or use gasoline or other flammable vapors and liquids inside or in the vicinity of this or any other appliance. The fumes can create a fire hazard or explosion.
- Do not use inflammable sprays in the vicinity of the refrigerator.
- Before proceeding with cleaning and maintenance operations, make sure the power line of the unit is disconnected.
- Do not connect or disconnect the electric plug when your hands are wet.
- Unplug the refrigerator or disconnect power before cleaning or servicing. Failure to do so can result in electrical shock or death.
- Do not attempt to repair or replace any part of your refrigerator unless it is specifically recommended in this manual. All other servicing should be referred to a qualified technician.

Regarding the FF29KDTPUB model series:

- ❖ These appliances are CFC- and HFC-free and contain small quantities of Isobutane (R600a) which is environmentally friendly, but flammable. It does not damage the ozone layer, nor does it increase the greenhouse effect. Care must be taken during transportation and setting up of the appliance that no parts of the cooling system are damaged. Leaking coolant can ignite and may damage the eyes.

In the event of any damage:

- Avoid open flames and anything that creates a spark,
 - Disconnect from the electrical power line,
 - Air the room in which the appliance is located for several minutes, and
 - Contact the Service Department for advice.
- ❖ The more coolant there is in an appliance, the larger the room it should be installed in. In the event of a leakage, if the appliance is in a small room, there is the danger of combustible gases building up. For every ounce of coolant at least 325 cubic feet of room space is required. The amount of coolant in the appliance is stated on the data plate on the back of the appliance. It is hazardous for anyone other than an Authorized Service Person to carry out servicing or repairs to this appliance.
 - ❖ Take serious care when handling, moving, and using the appliance to avoid either damaging the refrigerant tubing or increasing the risk of a leak.
 - ❖ Replacing component parts and servicing shall be done by factory authorized service personnel so as to minimize the risk of possible ignition due to incorrect parts or improper service.



WARNING

- Use two or more people to move and install the refrigerator. Failure to do so can result in back or other injury.
- To ensure proper ventilation for your refrigerator, the front of the unit must be completely unobstructed. Choose a well-ventilated area with temperatures above 60°F (16°C) and below 90°F (32°C). This unit must be installed in an area protected from the elements, such as wind, rain, water spray or drips.
- The refrigerator should not be located next to ovens, grills or other sources of high heat.
- The refrigerator must be installed with all electrical, water and drain connections in accordance with state and local codes. A standard electrical supply (115 V AC only, 60 Hz), properly grounded in accordance with the National Electrical Code and local codes and ordinances is required.
- Do not kink or pinch the power supply cord of the refrigerator.
- The fuse (or circuit breaker) size should be 15 amperes.
- It is important for the refrigerator to be leveled in order to work properly. You may need to make several adjustments to level it.
- Check for leaks after connection.
- Never allow children to operate, play with or crawl inside the refrigerator.
- This appliance is not intended for use by persons (including children) with reduced physical, sensory or mental capabilities, or lack of experience and knowledge, unless they have been given supervision or instruction concerning use of the appliance by a person responsible for their safety.
- **IMPORTANT:** Do not use mechanical devices or other means to accelerate the defrosting process, other than those recommended by the manufacturer.
- **IMPORTANT:** Do not damage the refrigerant circuit.
- **IMPORTANT:** Do not use electrical appliances inside the storage compartment of the appliance, unless they are of the type recommended by the manufacturer.
- Do not use solvent-based cleaning agents or abrasives on the interior. These cleaners may damage or discolor the interior.
- Do not use this apparatus for other than its intended purpose.



DANGER



Risk of child entrapment

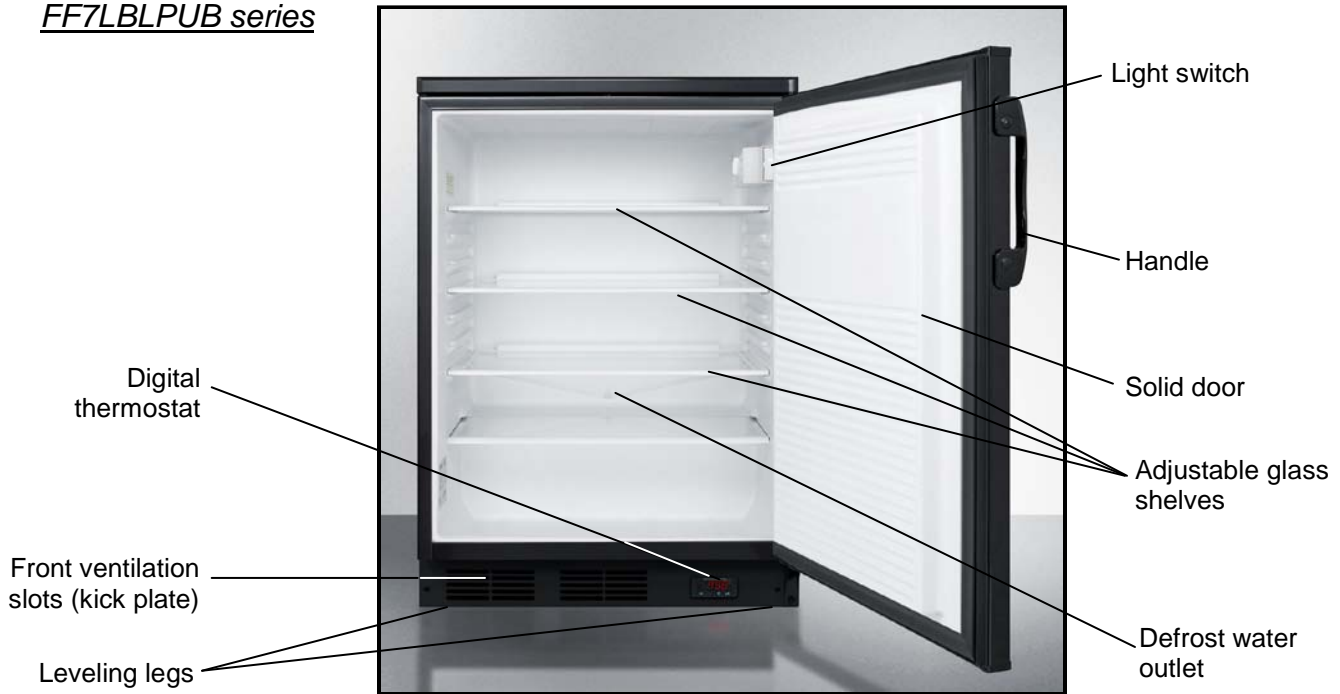
Child entrapment and suffocation are not problems of the past. Junked or abandoned refrigerators and freezers are still dangerous, even if they will “just sit in the garage a few days.”

- **Before you throw away your old refrigerator or freezer:** Take off the doors. Leave the shelves or drawers in place so that children may not easily climb inside.
- Never allow children to operate, play with, or crawl inside the refrigerator/freezer.

- SAVE THESE INSTRUCTIONS -

Description of Models

FF7LBLPUB series



NOTE: Lock on FF7LBLPUB series models is located on the front of the door, near the top center.

WARNING: For these models, be sure the light switch is off when you close the door.

Technical Details	
Model Series	FF7LBLPUB
Brand	SUMMIT Commercial
Capacity	5.5 cubic feet
Unit dimensions, HxWxD	33.5" * x 23.63" x 23.5"
Shipping weight	107 lbs
Shelves	4 glass shelves
Door	Solid, reversible
Installation	Free-standing or built-in (BI models)
Rated voltage/frequency	120V AC / 60 Hz
Rated current	1.3 amps
Refrigerant	R134a, 1.8 oz
Defrost	Automatic

** Height of ADA models is 32"*

FF29KDTPUB series

These models are suitable for use on a countertop. They have two glass shelves and a solid door with door racks. There is no lock and no interior light.

Technical Details	
Model Series	FF29KDTPUB
Brand	SUMMIT
Capacity	2.4 cubic feet
Unit dimensions, HxWxD	24.63" x 18.5" x 17.75"
Weight	40 lbs
Shelf type	Glass
Door	Reversible, with 2 racks
Installation	Countertop
Rated voltage/frequency	115V AC / 60 Hz
Rated current	0.6 amps
Refrigerant	R600a, 0.63 oz
Defrost	Automatic

FF63BDTPUB series



NOTE: These models have an interior light that illuminates when the door is opened. The crisper and door racks can be used to store fruit or snacks you might wish to serve with your beer or wine.

Technical Details	
Model Series	FF63BDTPUB
Brand	SUMMIT
Capacity	5.5 cubic feet
Unit dimensions, HxWxD	32.63" * x 23.63" x 23.0"
Shipping weight	110 lbs
Shelves	4 glass shelves, 1 wire wine rack
Door	Reversible with racks
Installation	Free-standing or built-in (BI models)
Rated voltage/frequency	115V AC / 60 Hz
Rated current	1.0 amps
Refrigerant	R134a, 1.7 oz
Defrost	Automatic

** Height of ADA models is 32"*

SCR312LPUB series

Control panel including digital thermostat and light switch

Handle

Adjustable wire shelving

Double-pane tempered glass door

Lock

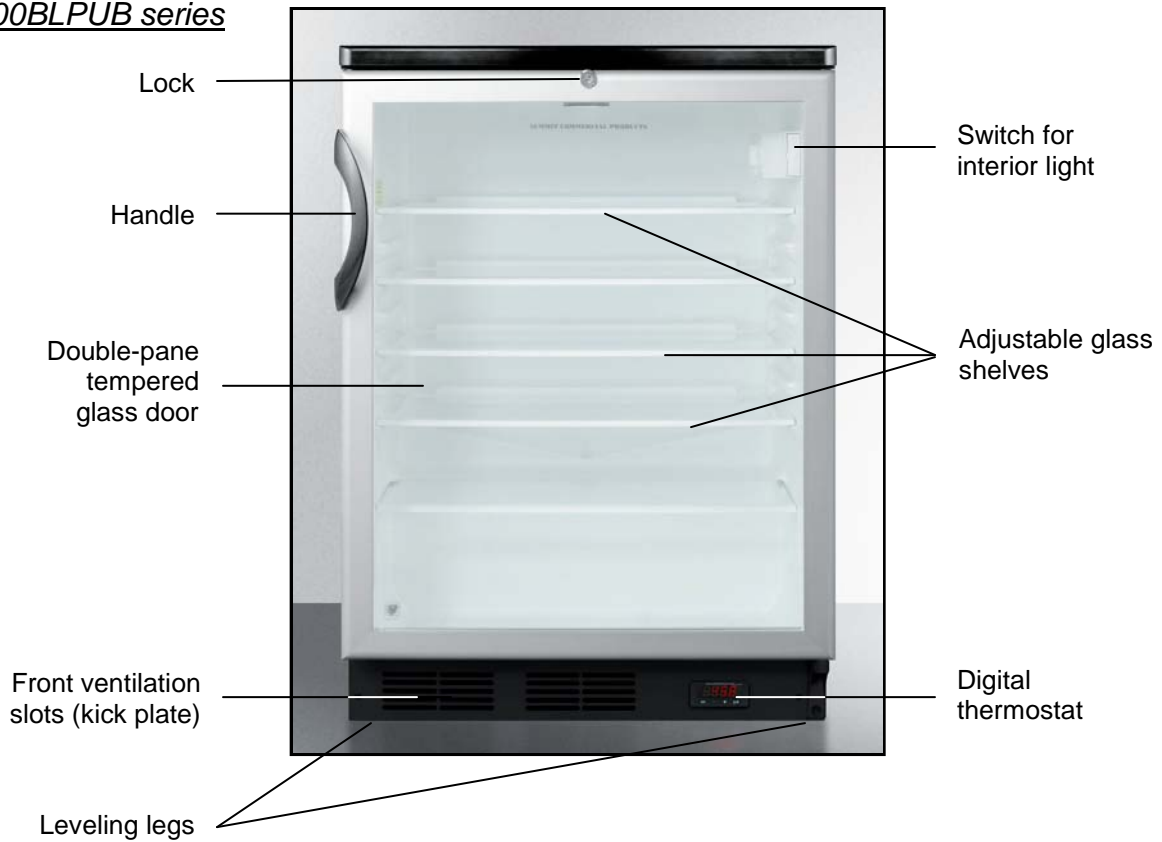
Leveling legs



WARNING: To maintain the quality of your stored beers and wines, it is important to keep these glass-door models out of direct sunlight.

Technical Details	
Model Series	SCR312LPUB
Brand	SUMMIT Commercial
Capacity	2.5 cubic feet
Unit dimensions, HxWxD	25.75" x 17.13" x 19.0"
Weight	80 lbs
Shelving	4 wire shelves
Door	Glass, not reversible
Installation	Countertop
Rated voltage/frequency	115V AC / 60 Hz
Rated current	1.3 amps
Refrigerant	R134a, 1.82 oz
Defrost	Automatic

SCR600BLPUB series



WARNING: To maintain the quality of your stored beers and wines, it is important to keep these glass-door models out of direct sunlight. Tinted doors with UV protection are available. Visit summitappliance.com/tint for more information.

Technical Details	
Model Series	SCR600BLPUB
Brand	SUMMIT Commercial
Capacity	5.5 cubic feet
Unit dimensions, HxWxD	33.5" * x 23.63" x 23.5"
Shipping weight	125 lbs
Shelves	4 glass shelves
Door	Double-pane glass, reversible
Installation	Free-standing or built-in (BI models)
Rated voltage/frequency	115V AC / 60 Hz
Rated current	1.3 amps
Refrigerant	R134a, 1.8 oz
Defrost	Automatic

* Height of ADA models is 32"

Installation Instructions

Before Using Your Appliance:

- Remove the exterior and interior packing.
- **CAUTION:**
After unpacking and before connecting to a power source, you **MUST** allow this appliance to stand upright for at least 2 hours to allow the lubricant and refrigerant to drain back into the compressor and stabilize. Failure to do so may adversely affect performance and the lifetime of this unit.
- Remove the shelves and clean them and the interior surfaces of the unit with lukewarm water using a soft cloth.

Installing the Pub Cellar:

- Place the unit on a floor or other surface that is strong enough to support the appliance when it is fully loaded. To level the unit, adjust the two leveling legs at the front.
- Unless your particular model has the letters BI (built-in) in the model number, the appliance is designed to be free-standing only and not recessed or built into an enclosure. When installing, allow at least 4" (102mm) of space at the sides, top and rear of the unit to allow for proper air circulation to cool the compressor and condenser. Take care that any air vents at the front of the appliance are never covered or blocked in any way.
- If your model has the letters BI in its model number, the appliance can be installed either free-standing or built-in. If the unit will be built into an enclosure, you must still allow at least 3/16" (5mm) of clear space on both sides and at the top, and 2" (51mm) at the back. If the unit has an air vent at the front, take care that it is never covered or blocked in any way.
- The FF63BDTPUB models are supplied with spacers that must be mounted onto the condenser tube at the back to make sure there is sufficient clearance between the appliance and the wall. See illustration below.



- Locate your Pub Cellar away from direct sunlight and sources of heat (oven, heater, radiator, etc.). Direct sunlight may affect the acrylic coating and can also reduce the quality of items stored in models with glass doors. Heat sources may increase electrical consumption. Extremely cold ambient temperatures may also affect the unit's performance.

- Avoid locating the unit in moist areas. Too much moisture in the air will cause frost to form quickly on the evaporator, requiring more frequent defrosting of the interior.
- Plug the unit into an exclusive, properly installed and grounded wall outlet. Do not under any circumstances cut or remove the third (ground) prong from the power cord. Any questions concerning power and/or grounding should be directed toward a certified electrician or authorized service center.

Electrical Connection:

WARNING

Improper use of the grounded plug can result in the risk of electrical shock. If the power cord is damaged, have it replaced by the manufacturer, its service agent or similarly qualified persons in order to avoid a hazard.

The unit should be properly grounded for your safety. The power cord is equipped with a three-prong plug that mates with a standard three-prong wall outlet to minimize the possibility of electrical shock.

Do not under any circumstances cut or remove the third ground prong from the power cord supplied. For personal safety, this appliance must be properly grounded.

This unit requires a standard 115-volt AC/60Hz electrical outlet with three-prong ground. Have the wall outlet and circuit checked by a qualified electrician to make sure the outlet is properly grounded. When a standard 2-prong wall outlet is encountered, it is your responsibility and obligation to have it replaced with a properly grounded 3-prong wall outlet.

To prevent accidental injury, the cord should be secured behind the unit and not left exposed or dangling.

The unit should always be plugged into its own individual electrical outlet that has a voltage rating that matches the rating label on the appliance. This provides the best performance and also prevents overloading house wiring circuits that could cause a fire hazard from overheated wires. Never unplug the unit by pulling on the power cord. Always grip the plug firmly and pull straight out from the receptacle. Repair or replace immediately any power cord that has become frayed or otherwise damaged. Do not use a cord that shows cracks or abrasion damage along its length or at either end. When moving the unit, be careful not to damage the power cord.

Extension Cord:

Do not use an extension cord with this appliance. If the power cord is too short, have a qualified electrician or service technician install an outlet near the appliance.

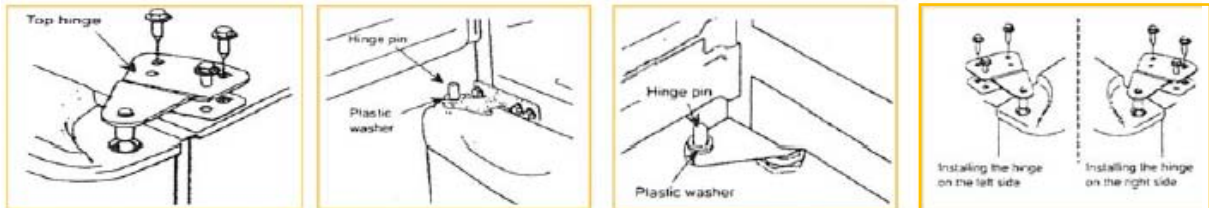
Reversing the Door Swing:

The door swing of the SCR312LPUB models cannot be reversed, but all of the other models described in this manual have reversible doors. If you find the direction of opening the door of your appliance inconvenient, you can change it. Holes on the opposite side have already been prepared at the factory.

Aside from SCR312LPUB models, each appliance can be opened from either the right side or the left. By default, the door hinge is on the right side. If you prefer it on the left, please follow the instructions on the following pages for the appropriate model. Remember that all of the parts that are removed must be kept for re-installation of the door.

For FF7LBLPUB and FF63BDTPUB series models:

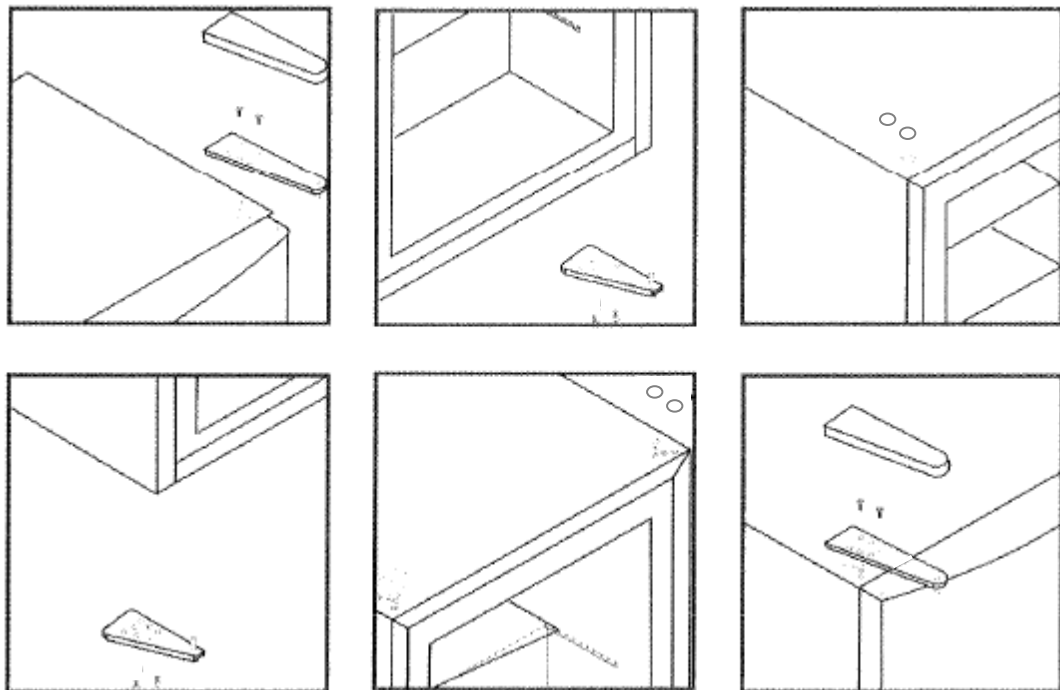
1. Take off the upper hinge cover from the door and remove the screws that hold the top hinge.
2. Lift the hinge straight up to free the hinge pin from the socket in the top of the door.
3. Lift the door up and away to free its bottom socket from the hinge pin.
4. Remove the screws to the bottom hinge.
5. Remove the decorative caps from the opposite side and plug the holes from the original side with the decorative caps.
6. Move the bottom hinge to the opposite side and tighten the screws. Use any lock washers or nuts if they were installed in the original installation.
7. Replace door onto the hinge pin on the bottom hinge. Place top hinge pin into door. Insert screws into the top hinge and tighten.



If you notice the door not hanging straight, loosen the top hinge screws, adjust the door until it is level and tighten the screws.

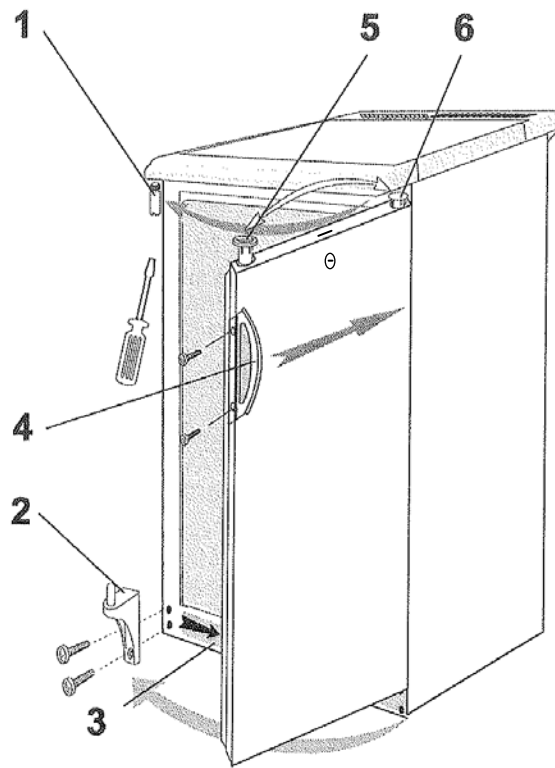
FF29KDTPUB series models:

Refer to the set of diagrams below if you wish to reverse the door opening direction for these models.



SCR600BLPUB series models:

1. Unscrew the lower hinge and take off the door.
2. Push the kick plate to the right in the new position, being careful not to damage the wires connected to the back of the digital thermostat.
3. Undo the upper hinge fastener and fix it to the opposite side of the housing, where you have already removed and replaced the fastener with the hole to the opposite side.
4. Put the door on the upper hinge fastener.
5. Fix the lower hinge in the new position.
6. Unscrew the handle and place it on the opposite side.
7. Some screws are covered with caps. Take off these caps before undoing the screws.
8. Check the door gasket. It should not be creased and should seal well.



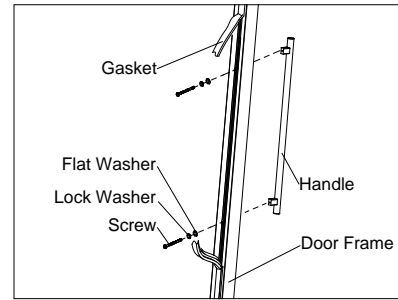
- | | |
|-------------------------|----------------------------|
| 1. Upper hinge fastener | 4. Handle |
| 2. Lower hinge | 5. Door hinge fixture |
| 3. Kick plate | 6. Door hinge fixture plug |

Door Handle Installation:

For model series FF7LBLPUB, FF63BDTPUB and SCR600BLPUB, the door has two screw holes on each side, allowing you to install a handle (included). To do so, align the handle with the screw holes on the side you prefer. Fix the handle in place with the included screws, then cover the screw heads with the handle seal (included).

For the model SCR312LPUB series, install the handle as follows:

1. Remove the door gasket on the side you wish to install the handle - you can see two designated holes for handle installation. The gasket is easily displaced by hand; no tools are necessary.
2. Install the handle tightly as shown with two screws, lock washers and flat washers provided. (DO NOT over tighten as this will cause damage to the handle and stainless steel door frame).
3. Replace the door gasket to its original position.



The model FF29KDTPUB series does not have a removable handle.

Operating Your Pub Cellar

Digital Thermostat:

The temperature inside your appliance is controlled by a digital thermostat located at the front of the unit. Normally, the LED display shows the current temperature inside the unit.

The preset temperature range of the thermostat is 41 to 65°F (5 to 18°C), and the operating temperature is factory-set at 45°F (7°C). If you find that it is necessary to change the temperature setting (*Set Point*) for your appliance, refer to the appropriate instructions below.

➤ **Series models FF7LBLPUB, FF29KDTPUB, FF63BDTPUB and SCR600BLPUB:**

The front panel of the thermostat for these models is illustrated here:



To see the SET POINT:

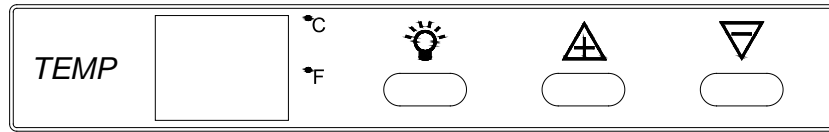
Push and immediately release the *SET* key. The display will show the *Set Point* value. Wait 5 seconds and the interior temperature will display again.

To change the SET POINT:

1. Push and hold the *SET* key for more than 3 seconds to change the *Set Point* value. The value of the *Set Point* will be displayed.
2. Push the UP or DOWN arrow to the desired setting. The new setting will be memorized after 15 seconds, provided no other keys are pushed.

➤ **SCR312LPUB series models:**

The digital thermostat for these models is operated by means of the control panel illustrated here:



Setting the Temperature Control:

You can set the temperature by pressing the **UP** and **DOWN** keys. When you press the two keys for the first time, the LED readout will show the *Set Point* temperature chosen previously.

The temperature you are setting will increase by one degree each time you press the **UP** key, and will decrease by one degree each time you press the **DOWN** key.

To view the *Set Point* temperature at any time, press the **UP** or **DOWN** key. The *Set Point* temperature will flash in the display window for 5 seconds. After 5 seconds, the actual temperature inside the unit will reappear in blue in the display window.

Light 

This key turns the interior light on and off.


UP 

This key raises (warms) the *Set Point* temperature by 1°F/°C.

DOWN 

This key lowers (cools) the *Set Point* temperature by 1°F/°C.

°F/°C Selector

You can choose to display the temperature setting in Fahrenheit or Celsius. To change the temperature from Fahrenheit to Celsius or from Celsius to Fahrenheit, press the  button for at least 5 seconds.

Defrosting the Pub Cellar:

Your appliance operates with an automatic defrost system, so the Pub Cellar defrosts itself. While the compressor is operating, ice will build along the cold rear wall (the evaporator plate is behind the wall). During the compressor's off-cycle, ice will melt, drip down, collect in the trough at the bottom and drain through a small hole into a tray above the compressor; where the compressor's heat will evaporate the water. If you notice excessive ice build-up on the rear wall, try setting the thermostat to a slightly warmer setting; be sure that the door gasket is sealing well and that there is no obstruction of the drain hole at the bottom rear of the interior cabinet.

Door Lock:

All models except the FF63BDTPUB series are provided with a lock and key combination. The keys are located inside the plastic bag that contains the *Instruction Manual*. Insert the key into the lock and turn it counterclockwise to unlock the door. To lock the door, do the reverse operation, making sure the metal pin is engaged completely. Remove the key and put it in a secure place for safekeeping.

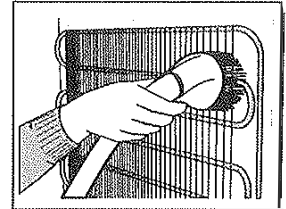
Important Notes:

- The minimum/maximum range of your thermostat (41 to 65°F) is preset and locked by us. To reset this range lock, either call us at 800-932-4267 or find information on our website under *Troubleshooting*.
- The temperature inside the Pub Cellar is affected by how often you open the door, so try to keep the door opening to a minimum.
- In all small refrigerators without interior fans, temperatures are coldest near the bottom, and occasionally near the rear. Place contents accordingly. It is best not to operate these units mostly empty. If temperatures are erratic, try putting some water bottles inside to create a load for the compressor.
- Most shelves are adjustable. In models with glass shelves, these shelves stop short an inch before the back wall. This is essential for air flow and the proper operation of the automatic defrost system. Do not block these gaps.
- The interior light for the FF7LBLPUB and SCR600BL series models is controlled by a manually-operated rocker switch. To maintain the proper interior temperature, keep the light on only as long as necessary and turn it off before closing the door.
- If the Pub Cellar is unplugged, has lost power or is turned off, you must wait 3 to 5 minutes before restarting it. If you attempt to restart before this time delay, the unit will not start.

Care and Maintenance

Cleaning Your Appliance:

1. Unplug the appliance and remove all contents, including shelves.
2. Wash the inside surfaces with a solution of lukewarm water and vinegar. Wipe dry with a clean, soft cloth.
3. Wash the shelves and any other interior accessories with a mild detergent solution, then rinse and dry thoroughly.
4. Wash the outside cabinet with a solution of warm water and mild liquid detergent. Rinse well and wipe dry with a clean soft cloth.
5. For stainless steel surfaces, routine cleaning can be accomplished by using warm water and a cloth. Dry with a towel or cloth to prevent water spots. Wipe in the directions of the brush lines. For cleaning that needs more power, you can use a mild detergent in warm water. Make sure to rinse the surface thoroughly to prevent staining and spotting. Towel dry.
6. Wring excess water out of the sponge or cloth before cleaning the area of the digital thermostat or any electrical parts.
7. From time to time, wipe the condenser on the outer rear wall with a soft non-metallic brush or vacuum cleaner. See illustration.
8. After you have cleaned the appliance, reconnect it to the power supply and return all contents to their place.



CAUTION: Failure to unplug the unit before cleaning could result in electrical shock or personal injury.

Power Failure:

Most power failures are corrected within a few hours and should not affect the temperature of your appliance if you minimize the number of times the door is opened. If the power is going to be off for a longer period of time, you need to take the proper steps to protect your chilled items.

Vacation Time:

During long absences, remove all contents. Unplug the appliance, clean it and leave the door open slightly to avoid possible formation of condensation, mold or odors.

Moving Your Appliance:

1. Remove the contents.
2. Securely tape down all shelving inside your unit.
3. Turn the leveling legs up to the base to avoid damage.
4. Tape the door shut.
5. Be sure the appliance stays secure in the upright position during transportation.

Energy-Saving Tips:

- The unit should be located in the coolest area of the room, away from heat-producing appliances or heating ducts and out of direct sunlight.
- Try not to open the door too often, especially when the weather is damp and hot. Once you open the door, close it as soon as possible.
- Occasionally check if the appliance is sufficiently ventilated (adequate air circulation behind the appliance).

Troubleshooting

When using this appliance, you may come across some problems that in many cases result from improper handling and can easily be eliminated.

TROUBLESHOOTING GUIDE

The appliance fails to operate after being connected to the power source.

- Check whether the power supply is active.

The compressor is running continuously.

- The door was opened frequently or it was left open too long.
- The door is not properly closed (the door may sag or the gasket may be dirty or damaged).
- The power supply has been interrupted for a long period of time.
- There may be inadequate ventilation of the compressor and condenser. (Assure there is adequate air circulation behind the appliance and wipe the dust from the condenser.)

Noise

- Cooling in refrigerating appliances is enabled by the refrigeration system with a compressor, which produces noise. How noisy the appliance is depends on where it is placed, how it is used and how old the appliance is.
- During the operation of the compressor, the noise of liquid is heard and when the compressor is not operating, the refrigerant flow is heard. This is a normal condition and has no influence whatsoever on the lifetime of the appliance.
- After starting the appliance, the operation of the compressor and the refrigerant flow may be louder. This does not mean that something is wrong. Gradually the noise is reduced.
- Sometimes a louder noise is heard, which is unusual for the appliance. This noise is often a consequence of improper placement of the unit. (The unit should be placed and leveled firmly on a solid base and it should not touch the wall or cabinets standing next to it.)

Limited Warranty

ONE-YEAR LIMITED WARRANTY

Within the 48 contiguous United States, for one year from the date of purchase, when this appliance is operated and maintained according to instructions attached to or furnished with the product, warrantor will pay for factory-specified parts and repair labor to correct defects in materials or workmanship. Service must be provided by a designated service company. Outside the 48 states, all parts are warranted for one year from manufacturing defects. Plastic parts, shelves and cabinets are warranted to be manufactured to commercially acceptable standards, and are not covered from damage during handling or breakage.

5-YEAR COMPRESSOR WARRANTY

1. The compressor is covered for 5 years.
2. Replacement does not include labor.

ITEMS WARRANTOR WILL NOT PAY FOR:

1. Service calls to correct the installation of your appliance, to instruct you how to use your appliance, to replace or repair fuses or to correct wiring or plumbing.
2. Service calls to repair or replace appliance light bulbs or broken shelves. Consumable parts (such as filters) are excluded from warranty coverage.
3. Damage resulting from accident, alteration, misuse, abuse, fire, flood, acts of God, improper installation, installation not in accordance with electrical or plumbing codes, or use of products not approved by warrantor.
4. Replacement parts or repair labor costs for units operated outside the United States.
5. Repairs to parts or systems resulting from unauthorized modifications made to the appliance.
6. Expenses for travel and transportation for product service in remote locations.
7. The removal and reinstallation of your appliance if it is installed in an inaccessible location or is not installed in accordance with published installation instructions.

DISCLAIMER OF IMPLIED WARRANTIES - LIMITATION OF REMEDIES

CUSTOMER'S SOLE AND EXCLUSIVE REMEDY UNDER THIS LIMITED WARRANTY SHALL BE PRODUCT REPAIR AS PROVIDED HEREIN. IMPLIED WARRANTIES, INCLUDING WARRANTIES OF MERCHANTABILITY OR FITNESS FOR A PARTICULAR PURPOSE, ARE LIMITED TO ONE YEAR. WARRANTOR SHALL NOT BE LIABLE FOR INCIDENTAL OR CONSEQUENTIAL DAMAGES. SOME STATES DO NOT ALLOW THE EXCLUSION OR LIMITATION OF INCIDENTAL OR CONSEQUENTIAL DAMAGES, OR LIMITATIONS ON THE DURATION OF IMPLIED WARRANTIES OF MERCHANTABILITY OR FITNESS, SO THESE EXCLUSIONS OR LIMITATIONS MAY NOT APPLY TO YOU. THIS WARRANTY GIVES YOU SPECIFIC LEGAL RIGHTS AND YOU MAY ALSO HAVE OTHER RIGHTS, WHICH VARY FROM STATE TO STATE.

WARNING! This product may contain chemicals known to the state of California to cause cancer or birth defects or other reproductive harm. For more information, visit: www.summitappliance.com/prop65

Chemicals known by the manufacturer to be present in this product in concentrations higher than threshold limits: NONE.

FELIX STORCH, INC.
770 Garrison Avenue
Bronx, NY 10474
Phone: (718) 893-3900
Fax: (844) 478-8799
www.summitappliance.com



For parts and accessory ordering,
troubleshooting and helpful hints, visit:
www.summitappliance.com/support