

24" 4-Burner Gas on Glass Cooktop

KM 3010



24" 4-Burner Gas on Glass Cooktop KM 3010



Features:

- 4 sealed burners (max output):
 (1) 9,300 BTU High-speed burner
 (2) 5,800 BTU Normal burners
 (1) 3,750 BTU Auxiliary/Simmer burner
- 'Gas on Glass' design for easy cleanability
- Center control panel with stainless steel knobs
- Stainless steel trim on back and front
- ComfortClean dishwasher-safe grates
- GasStop – Should the flame be temporarily extinguished, the cooktop will stop the supply of gas

SPECIFICATIONS

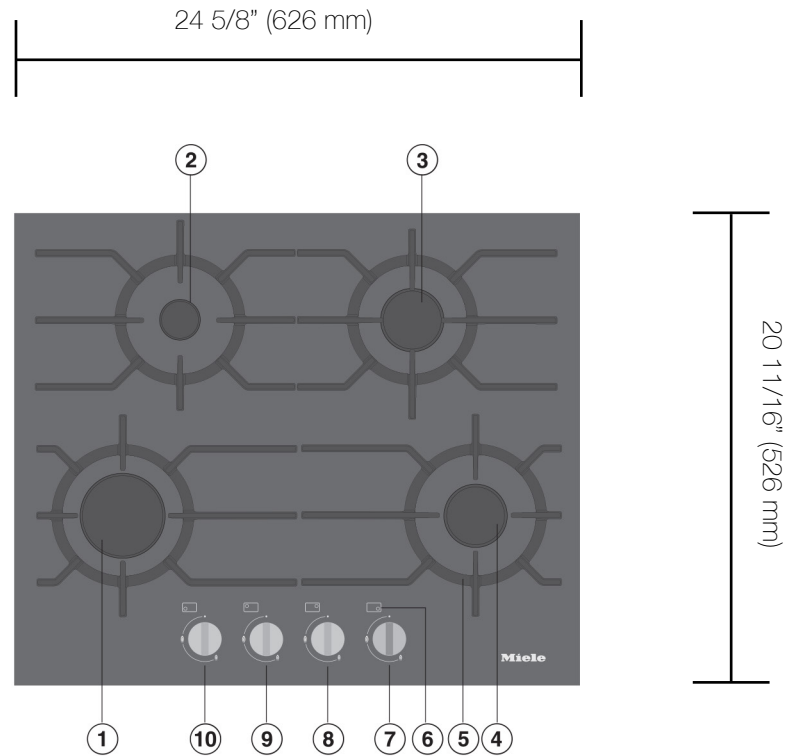
KM 3010 Gas on Glass Cooktop	Item 26301050USA
Unit Width	24 ⁵ / ₈ " (626 mm)
Unit Height (To Gas Connection)	2 ¹³ / ₁₆ " (71 mm)
Unit Depth	20 ¹¹ / ₁₆ " (544 mm)
Niche	
Cut-out Dimensions	22 ¹ / ₁₆ " (560 mm) W x 19 ⁵ / ₁₆ " (490 mm) D
Minimum Back Spacing From Wall	2" (50 mm)
Minimum Countertop Thickness	1 ¹ / ₈ " (29 mm)
Minimum Recommended distance to ventilation hood	30" (760 mm)
Gas Burners	
Auxiliary Burner	3,750 BTU (G), 3,300 BTU (LP)
Normal Burner	5,800 BTU (G), 6,400 BTU (LP)
Fast Burner	9,300 BTU (G), 9,800 BTU (LP)
Total Maximum BTU Output	24,650 BTU (G), 25,900 BTU (LP)
Gas	
Gas Connection	1/2" NPT
Maximum Gas Pressure	1/2 psi (3.5 kPa)
Electrical	
Electrical Requirements	120 V, 60 Hz, 15 A
Power Cord	NEMA 5-15P, 4 ft (1.2 m)
Shipping	
Shipping Weight	lbs (kg)
Shipping Dimensions	40 ⁵ / ₁₆ " W x 7 ⁹ / ₃₂ " H x 26 ²¹ / ₃₂ " D
Support	
Call	800.843.7231
Miele Website	www.mieleusa.com
20/20 Link	2020technologies.com

24" 4-Burner Gas on Glass Cooktop KM 3010



PRODUCT VIEWS

Top View



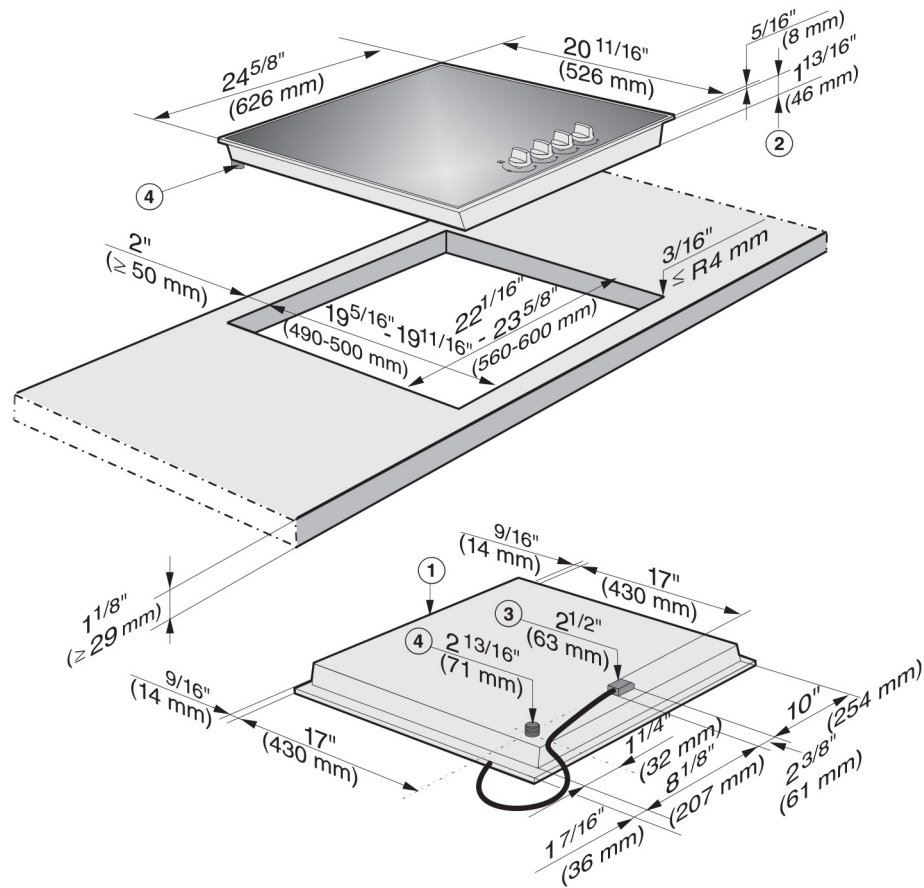
- ① Fast burner
- ② Auxiliary burner
- ③④ Normal burners
- ⑤ Grates
- ⑥ Burner symbols

- Control knobs:
- ⑦ Front right burner
 - ⑧ Right rear burner
 - ⑨ Left rear burner
 - ⑩ Front left burner

24" 4-Burner Gas on Glass Cooktop KM 3010



INSTALLATION DIMENSIONS



- ① Appliance front
- ② Installation height
- ③ Power supply box with connection cable L = 4 ft (1.2 m)
- ④ Gas connection

24" 4-Burner Gas on Glass Cooktop KM 3010



KM 3010 GAS ON GLASS COOKTOP INSTALLATION IN COMBINATION WITH UNDERCOUNTER 30" MIELE OVEN H6x80BP

Countertop Thickness vs. Toekick Height

Taken into consideration:

- 34¹/₂" tall cabinetry
- 1/4" of cooktop above countertop (proud)
- 3/4" (exact) platform thickness under oven/above toekick

		Toekick Height										
		3 ¹ / ₂	3 ³ / ₄	4	4 ¹ / ₄	4 ¹ / ₂	4 ³ / ₄	5	5 ¹ / ₄	5 ³ / ₄	6	
Countertop Thickness	1 ¹ / ₈	OK	OK	OK	OK	OK	OK	OK	OK	OK	OK	NA
	1 ¹ / ₄	OK	OK	OK	OK	OK	OK	OK	OK	OK	OK	NA
	1 ¹ / ₂	OK	OK	OK	OK	OK	OK	OK	OK	OK	OK	OK
	1 ³ / ₄	OK	OK	OK	OK	OK	OK	OK	OK	OK	OK	OK
	2	OK	OK	OK	OK	OK	OK	OK	OK	OK	OK	OK
	2 ¹ / ₄	OK	OK	OK	OK	OK	OK	OK	OK	OK	OK	OK

= Typical Installation