



UPRIGHT FREEZERS

SAFETY INFORMATION3

USING THE FREEZER
 Temperature Control.....5
 Features.....7

CARE AND CLEANING.....9

INSTALLATION INSTRUCTIONS
 Installing the Freezer.....12

TROUBLESHOOTING TIPS.....13

WARRANTY.....15

CONSUMER SUPPORT16

**OWNER'S MANUAL
AND INSTALLATION
INSTRUCTIONS**

Upright—No-Frost Models:
FUF14, FUF17, FUF21

**ENGLISH/FRANÇAIS/
ESPAÑOL**

Write the model and serial numbers here:

Model # _____

Serial # _____

Find these numbers on a label on the top inner case liner of the unit toward the front.

THANK YOU FOR MAKING GE APPLIANCES A PART OF YOUR HOME.

Whether you grew up with GE Appliances, or this is your first, we're happy to have you in the family.

We take pride in the craftsmanship, innovation and design that goes into every GE Appliances product, and we think you will too. Among other things, registration of your appliance ensures that we can deliver important product information and warranty details when you need them.

Register your GE appliance now online. Helpful websites and phone numbers are available in the Consumer Support section of this Owner's Manual. You may also mail in the pre-printed registration card included in the packing material.



GE APPLIANCES

IMPORTANT SAFETY INFORMATION

READ ALL INSTRUCTIONS BEFORE USING THE APPLIANCE

▲ WARNING To reduce the risk of fire, explosion, electric shock, or injury when using your upright freezer follow these basic safety precautions:

- This freezer must be properly installed and located in accordance with the Installation Instructions before it is used.
- Replace all parts and panels before operating.
- Do not store or use gasoline or other flammable vapors and liquids in the vicinity of this or any other appliance.
- Because of potential safety hazards under certain conditions, we strongly recommend against the use of an extension cord. However, if you must use an extension cord, it is absolutely necessary that it be a UL-listed (in the United States) or a CSA certified (in Canada), 3-wire grounding type appliance extension cord having a grounding type plug and outlet and that the electrical rating of the cord be 15 amperes (minimum) and 120 volts.
- To prevent suffocation and entrapment hazards to children, remove the doors from any freezer before disposing of it or discontinuing its use.
- Do not allow children to climb, stand or hang on the door handles or the shelves in the freezer. They could seriously injure themselves.
- Unplug the freezer :
 - To disconnect power to the freezer. It cannot be turned off by any setting on the control panel.
 - To clean, replace a burned out light bulb, or make repairs.

NOTE: Repairs must be performed by a qualified Service Professional.

STATE OF CALIFORNIA PROPOSITION 65 WARNINGS:

▲ WARNING This product contains one or more chemicals known to the State of California to cause cancer and birth defects or other reproductive harm.

▲ CAUTION To reduce the risk of injury when using your freezer, follow these basic safety precautions.

- Do not clean glass shelves or covers with warm water when they are cold. Glass shelves and covers may break if exposed to sudden temperature changes or impact, such as bumping or dropping. Tempered glass is designed to shatter into many small pieces if it breaks.
- Keep fingers out of the “pinch point” areas; clearances between the doors and between the doors and cabinet are necessarily small. Be careful closing doors when children are in the area.
- Do not touch the cold surfaces in the freezer compartment when hands are damp or wet, skin may stick to these extremely cold surfaces.
- Do not refreeze frozen foods which have thawed completely.

INSTALLATION

▲ WARNING  **EXPLOSION HAZARD**

Keep flammable materials and vapors, such as gasoline, away from freezer. Failure to do so can result in fire, explosion, or death.

READ AND SAVE THESE INSTRUCTIONS

IMPORTANT SAFETY INFORMATION

READ ALL INSTRUCTIONS BEFORE USING THE APPLIANCE

CONNECTING ELECTRICITY

⚠ WARNING ELECTRICAL SHOCK HAZARD

Plug into a grounded 3-prong outlet

Do not remove the ground prong

Do not use an adapter

Failure to follow these instructions can result in death, fire, or electrical shock.

Do not, under any circumstances, cut or remove the third (ground) prong from the power cord. For personal safety, this appliance must be properly grounded.

The power cord of this appliance is equipped with a 3-prong (grounding) plug which mates with a standard 3-prong (grounding) wall outlet to minimize the possibility of electric shock hazard from this appliance.

Have the wall outlet and circuit checked by a qualified electrician to make sure the outlet is properly grounded.

Where a standard 2-prong wall outlet is encountered, it is your personal responsibility and obligation to have it replaced with a properly grounded 3-prong wall outlet. Do not use an adapter.

The freezer should always be plugged into its own individual electrical outlet which has a voltage rating that matches the rating plate.

A 115 Volt AC, 60 Hz, 15- or 20-amp fused, grounded electrical supply is required. This provides the best performance and also prevents overloading house wiring circuits which could cause a fire hazard from overheated wires.

Never unplug your freezer by pulling on the power cord. Always grip plug firmly and pull straight out from the outlet.

Repair or replace immediately all power cords that have become frayed or otherwise damaged. Do not use a cord that shows cracks or abrasion damage along its length or at either end.

When moving the freezer away from the wall, be careful not to roll over or damage the power cord.

PROPER DISPOSAL OF YOUR OLD APPLIANCE

⚠ WARNING SUFFOCATION AND CHILD ENTRAPMENT HAZARD

Remove freezer doors prior to disposal. Failure to do so can result in child entrapment which can lead to death or brain damage.

IMPORTANT: Child entrapment and suffocation are not problems of the past. Junked or abandoned appliances are still dangerous even if they will sit for “just a few days.” If you are getting rid of your old appliance, please follow the instructions below to help prevent accidents.

Before You Throw Away Your Old Freezer:

- Take off the doors.
- Leave the shelves in place so that children may not easily climb inside.

Refrigerants

All refrigeration products contain refrigerants, which under federal law must be removed prior to product disposal. If you are getting rid of an old refrigeration product, check with the company handling the disposal about what to do.

READ AND SAVE THESE INSTRUCTIONS

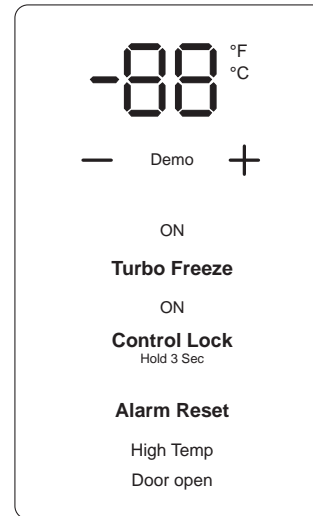
Temperature Control

For safe food storage, allow 4 hours for the freezer to cool down completely. The freezer will run continuously for the first several hours. Foods that are already frozen may be placed in the freezer after the first few hours of operation. Unfrozen food should NOT be placed in the freezer until it has operated for 4 hours. Allow several hours after each one-step adjustment for the freezer temperature to stabilize.

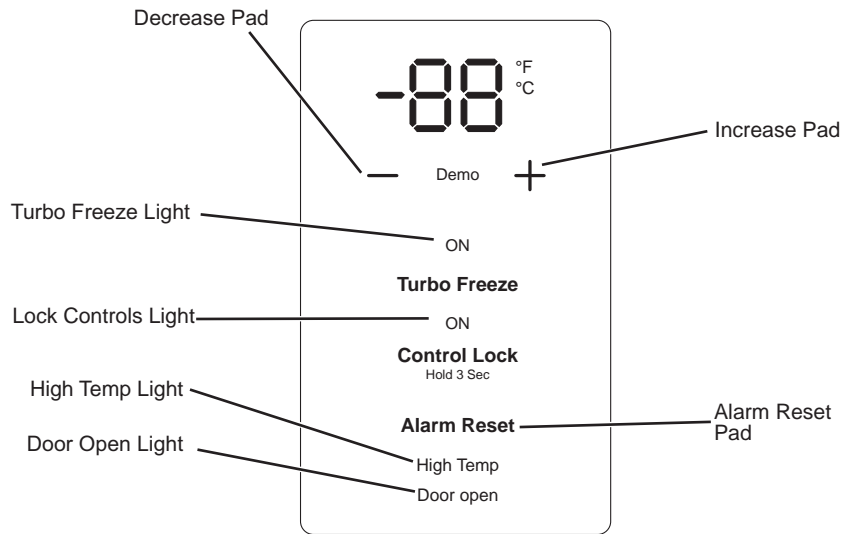
When loading the freezer, freeze only 3 pounds of fresh food per cubic foot of space at a time. Distribute packages evenly throughout the freezer. It is not necessary to turn the control knob to a colder setting while freezing food.

Starting the Freezer with Electronic Control

1. If desired, clean the inside of the freezer with a mild solution of baking soda and water (see Care and Cleaning).
2. Connect cord to power outlet. The 7-segment display will come on and flash with the default setting temperature of 0°F, and the "High Temp" Alarm will be displayed on the electronic temperature control with an audible warning. Pressing "Alarm Reset" on the control will silence the alarm, and stop the flashing, but the "High Temp" LED will stay on until your freezer reaches a safe storage temperature.
3. Press "-" or "+" to reach desired temperature.
4. Press "+" and "-" buttons at the same time for 3 seconds to switch the display temperature unit between °F and °C.
5. Allow freezer to operate for at least four hours before placing food inside.



Temperature Control



This electronic temperature control is located on the front of the freezer door. The temperature is factory-preset to provide satisfactory food storage temperatures. To adjust the temperature setting, press - to decrease temperatures and + to increase temperatures. Allow several hours for the temperature to stabilize between adjustments.

High Temp Alarm

This electronic control has a high temperature alarm feature. An alarm will sound if the freezer temperature is high. To silence the alarm, press **Alarm Reset** on the control panel.

The **High Temp** will continue to be displayed on the control panel until set temperature has been restored. The alarm will sound again if the temperature is not restored and remains high in six hours.

Turbo Freeze

To enable **Turbo Freeze**, press **Turbo Freeze** until Turbo Freeze **ON** light turns on. The unit will be in "Turbo Freeze" mode for 8 hours and the **ON** light for Turbo Freeze will stay illuminated. After the 8 hours is completed, **Turbo Freeze** turns off automatically. The **ON** light will be off to show that **Turbo Freeze** is off. To exit **Turbo Freeze** before the 8 hour automatic shutoff, press Turbo Freeze until **ON** light for Turbo Freeze is off.

Control Lock

To lock the controls, press Control Lock and hold for 3 seconds until the **ON** light for Control Lock turns on.

To unlock, press and hold **Control Lock** for 3 seconds. The **ON** light for **Control Lock** turns off and the control panel will be unlocked. Control setting cannot be changed when the control is locked.

Power Fail

If a power outage has caused the internal temperature to be high, the high temp alarm will sound and the temperature display will flash. Pressing **Alarm Reset** on the control will silence the alarm and stop the flashing, but **High Temp** LED will stay on until your freezer reaches a safe storage temperature.

If the internal temperature has been restored before you press Alarm Reset, the sound alarm will stop on its own, and the High Temp LED will go off automatically. The temperature display will continue flashing to remind you that a power outage has occurred. Press Alarm Reset to stop the flashing.

Door Open Alarm

If your door has been left open for more than 2 minutes, the control panel will display **Door Open** and will sound an alarm until the door has been closed or Door Open is pressed on the control panel. If **Door Open** has been pressed but the door has not been closed, **Door Open** will continue to be displayed on the control panel until the door has been closed. If 10 minutes after **Door Open** has been pressed, the door is still open, the door open alarm will sound again.

C or F Setting

To change between C° or F°, press and hold the - and + pads at the same time for 3 seconds.

Control Dormant

The control settings are displayed at normal condition. Press and hold **Control Lock** and **Turbo Freeze** for 3 seconds. The electric control will enter into Dormant Mode and will not show the control settings. The control settings will be displayed for 30 seconds if one of the buttons on the control is pressed or the door is opened while in Dormant Mode. Press and hold **Control Lock** and **Turbo Freeze** for 3 seconds again will disable Dormant Mode.

Features

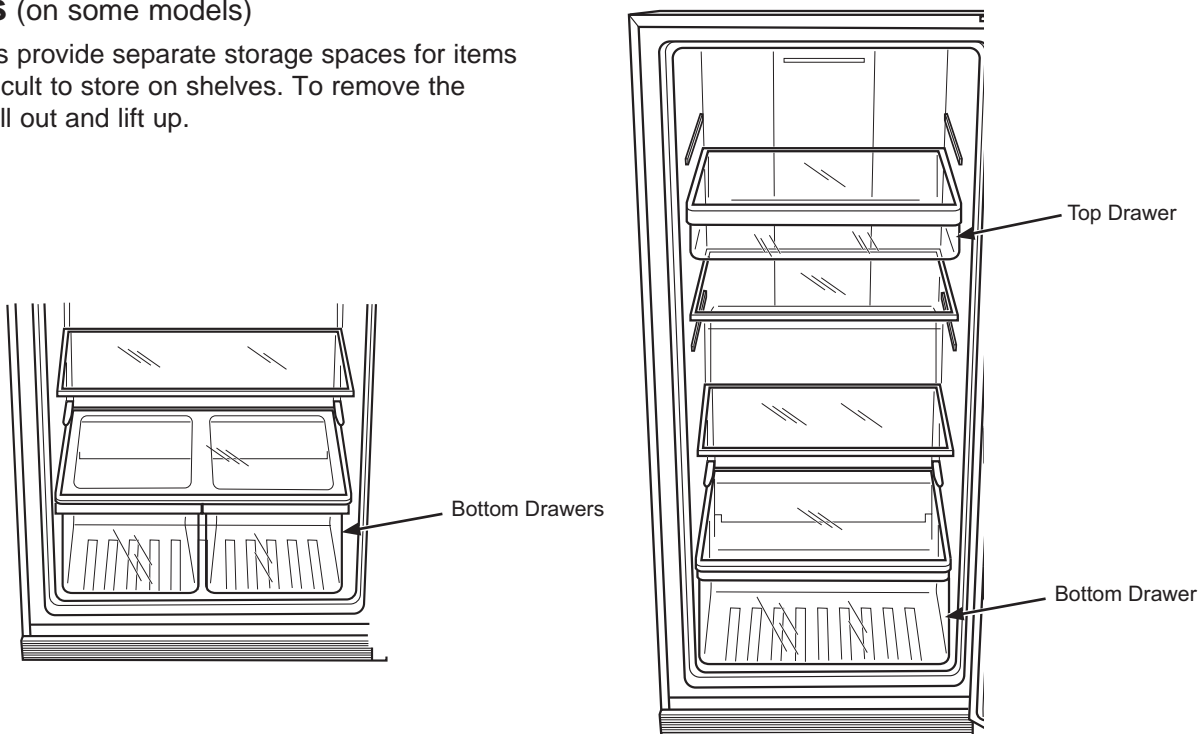
Key-Ejecting Lock

The key for the spring-loaded lock is automatically ejected—key will not remain in lock in either the open or closed position.

Keep the key out of reach of children and away from the freezer.

Drawers (on some models)

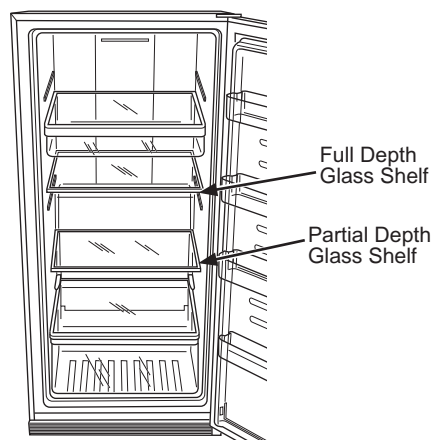
The drawers provide separate storage spaces for items that are difficult to store on shelves. To remove the drawers, pull out and lift up.



Adjustable Glass Shelves

The glass shelves are adjustable, some are full depth and the others are partial depth.

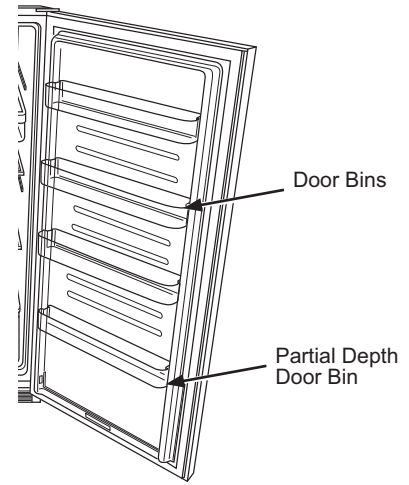
The full depth glass shelf shall be installed to a higher position where the unit is deeper; and the partial depth glass shelf shall be installed to a lower position where the unit is shallower.



Features

Clear Door Bins

There are 3 full depth door bins and one partial depth door bin on the unit. The partial depth door bin should always be installed at the bottom.



Care and Cleaning

Cleaning the Inside

To help prevent odors, leave an open box of baking soda in the freezer.

Unplug the freezer before cleaning. If this is not practical, wring excess moisture out of sponge or cloth when cleaning around switches, lights or controls. Use warm water and baking soda solution--about a tablespoon (15 ml) of baking soda to a quart (1 liter) of water. This both cleans and neutralizes odors. Thoroughly rinse and wipe dry.

⚠ CAUTION Do not clean glass shelves with warm water when they are cold. Glass shelves may break if exposed to sudden temperature changes or impact such as bumping or dropping. Tempered glass is designed to shatter into many small pieces if it breaks.

Do not wash any plastic freezer parts in the dishwasher.

Do not clean with any products containing detergent, bleach or ammonia. They may damage the freezer.

After cleaning the door gaskets, apply a thin layer of petroleum jelly to the door gaskets at the hinge side. This helps keep the gaskets from sticking and bending out of shape.

Cleaning the Outside

Door Handles and Trim. Clean with a cloth dampened with soapy water. Dry with a soft cloth.

Keep the outside clean. Wipe with a clean cloth lightly dampened with kitchen appliance wax or mild liquid dish detergent. Dry and polish with a clean, soft cloth. Do not wipe the freezer with a soiled dish cloth or wet towel. These may leave a residue that can erode the paint. Do not use scouring pads, powdered cleaners, bleach or cleaners containing bleach because these products can scratch and weaken the paint finish.

No Defrosting

You never have to defrost your new No-Frost freezer. It has been pre-set at the factory to defrost itself automatically.

During defrosting, a slight noise may be noticed if the door is opened while the freezer is in the automatic defrosting cycle.

Care and Cleaning

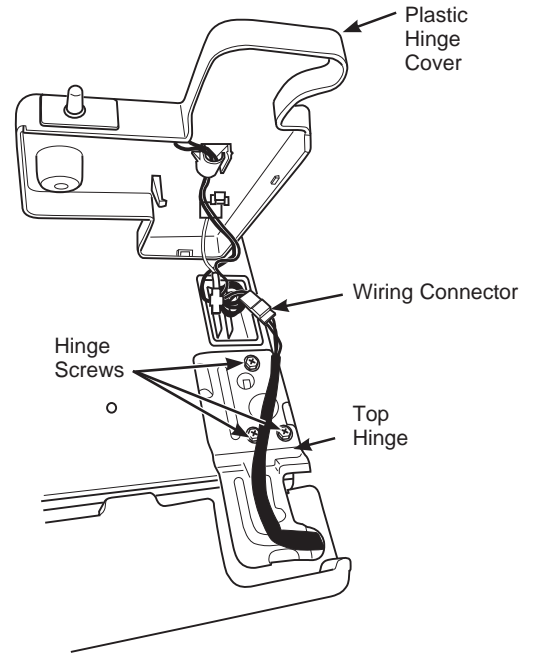
To Remove the Freezer Door

1. Remove the plastic hinge cover by removing one screw, disconnect the wiring connector and remove the ambient thermistor from the hinge cover, and then lifting it off.
2. Remove the screws holding the hinge to the top of the cabinet using a Phillips screwdriver or 5/16" socket driver. Be carefully not to damage the wiring nearby.
3. Remove the top hinge from the cabinet and lift the door up and off the lower hinge pin. Set the door aside.
4. Remove the screws from the bottom hinge.

To replace the doors, reverse the order of the above instructions.

NOTICE: It is very important that all hinge screws are securely tightened to ensure a secure assembly and prevent hinge slippage. Do not overtighten the hinge screws. Tighten them until they are just snug, and then turn them another one-half turn.

NOTE: The door swing is not reversible.



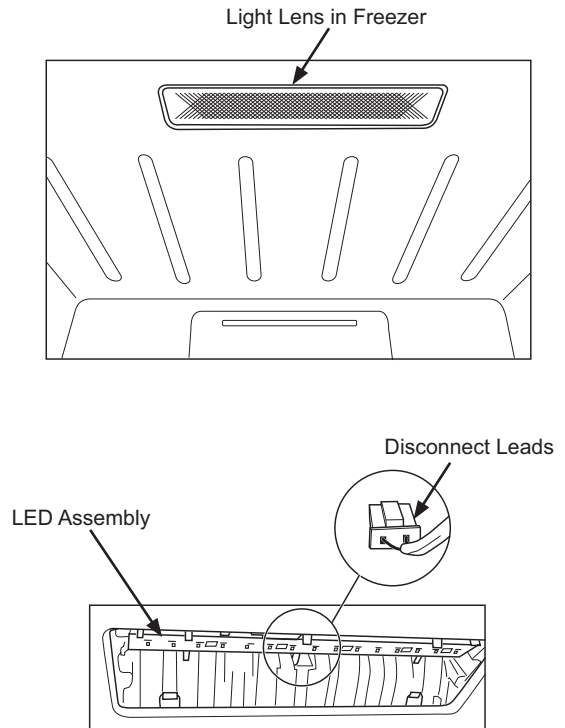
Replacing the LED Light

The LED light is located behind a light lens in the ceiling of the Freezer section.

To replace the LED light:

1. Remove the top shelf (if necessary).
2. Gently push the three snap-in tabs at the front of the lens, release the lens from the liner, and pull to remove.
3. Remove the LED assembly from the mounting tabs.
4. Gently pull the leads out and disconnect from the unit.
5. Replace with new LED assembly and slide assembly back into mounting tabs.
6. Replace the light lens by sliding the tabs at the back of the lens into the slots and push up on the lens until the tabs at the front of the lens snap into place.

To order the LED assembly, please call GE Appliances at 800.GE.CARES (800.492.2737) during normal business hours.



Care and Cleaning

In Case of Extended Power Failure

- Keep freezer door closed. Your freezer will keep food frozen for 24 hours provided warm air is not admitted.
- If freezer is out of operation for 24 hours or more, add dry ice. Leave ice in large pieces. Add more ice as required.

⚠ CAUTION

Handling of dry ice can cause freezing of the hands—gloves or other protection is recommended.

- If dry ice is not available, move food to a frozen food locker temporarily—until power is restored.

Preparing to Move

Disconnect the power cord plug from the wall outlet. Remove foods and clean the freezer.

Secure all loose items such as baskets and shelves by taping them securely in place to prevent damage.

Be sure freezer stays in upright position during actual moving and during transportation. The freezer must be secured during transportation to prevent movement. Protect outside of freezer with blanket.

Preparing for Vacation

To maintain freezer in operation during vacations, be sure your house power is not turned off. For sure protection of freezer contents, you may want to ask a neighbor to check the power supply and freezer operation every 48 hours.

For extended vacations or absences, you may prefer to move your frozen foods to a storage locker temporarily. If your freezer is to be left empty, disconnect power cord

plug from wall outlet. To prevent formation of odors, place open box of baking soda in freezer and leave freezer door open.

When the freezer is not operating, it can be left in an unheated house or room without damage to cabinet or mechanism.

Save Money/Save Energy

- The freezer should be located in the coolest area of the room, away from heat-producing appliances or heating ducts, and out of direct sunlight.
- Let hot foods cool to room temperature before placing in the freezer. Overloading the freezer forces the compressor to run longer. Foods that freeze too slowly may lose quality or spoil.



- Be sure to wrap foods properly, and wipe containers dry before placing them in the freezer. This cuts down on frost buildup inside the freezer.
- Organize and label food to reduce door openings and extended searches. Remove as many items as needed at one time, and close the door as soon as possible.

Installing the Freezer

Freezer Location

Your freezer should be conveniently located for day-to-day use in a dry, well-ventilated room.

Do not install the freezer where the temperature will go below 0°F or above 110°F, because it will not maintain proper temperatures.

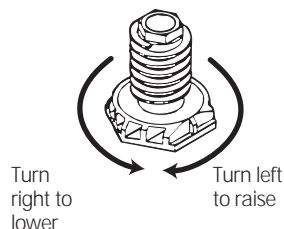
Be sure to install your freezer on a floor strong enough to support it when it is fully loaded.

Clearances

On all models, allow 3" (76 mm) on top, back and sides for proper air circulation.

Adjustable Legs

Legs at the front corners of the freezer should be set so the freezer is firmly positioned on the floor, and the front is raised just enough so the door closes easily when opened about halfway.



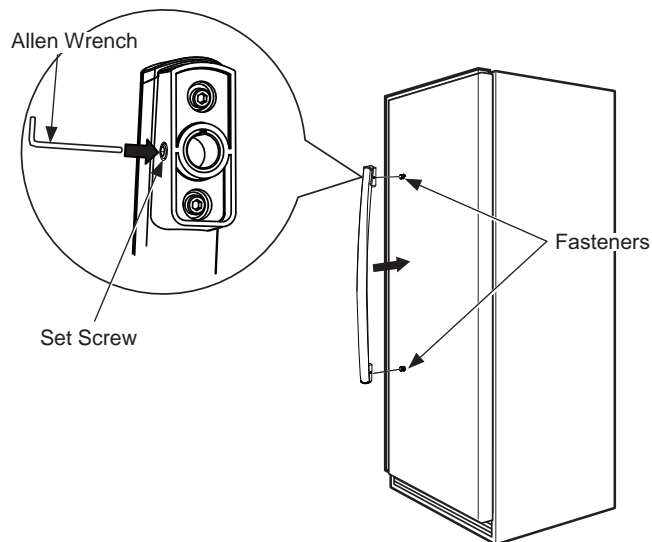
Level Freezer

Use a carpenter's level to level the freezer from back to front. Adjust the plastic leveling feet in front 1/2 bubble higher so the door closes easily when left open.

Door Handle

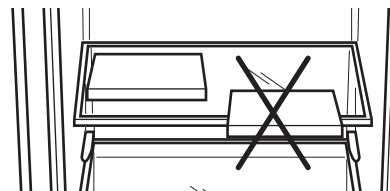
Shape of handle may vary on your model.

1. Align the handle with fasteners.
2. Push the handle over fasteners until it touches the door.
3. Use the allen wrench to turn set screw clockwise to fasten the handle to the door.



Unit Loading

NOTICE: To allow the door to close and seal properly, DO NOT let food packages extend past the front of the shelves.



Troubleshooting Tips... Before you call for service

Save time and money! Review the charts on the following pages first and you may not need to call for service.

Problem	Possible Causes	What to Do
Freezer does not operate	Freezer is unplugged.	Push the plug completely into the outlet.
	The fuse is blown/circuit breaker is tripped.	Replace fuse or reset the breaker.
	"Demo" LED light is on and Freezer is in Demo mode.	Please press "Alarm Reset" first, and then press the "-" and "+" immediately while holding "Control Lock" at the same time for 5 seconds and release. "Demo" LED light will be off.
Freezer starts/stops too frequently	Door left open.	Check to see if package is holding door open.
	Too frequent or too long door openings.	Open the door less often.
	Temperature control set too cold.	See <i>Temperature Control</i> .
Freezer operates too long	Door left open.	Check to see if package is holding door open.
	Too frequent or too long door openings.	Open the door less often.
	Temperature control set too cold.	See <i>Temperature Control</i> .
	Inadequate air circulation space around cabinet.	See <i>Installing the Freezer</i> .
	Room or outside weather is hot.	It's normal for the freezer to work harder under these conditions.
	Freezer has been disconnected recently for a period of time.	It takes 4 hours for the freezer to cool down completely.
Noisy operation or cabinet vibrates	Large amounts of warm or hot food have been stored recently.	Warm food will cause the freezer to run more until the desired temperature is reached
	Floor may be weak, causing freezer to vibrate when compressor is on.	Check to make sure freezer is located on solid floor and adjust leveling legs as needed.
	Cabinet is not positioned solidly on floor.	Adjust legs. See <i>Installing the Freezer</i> . Or use shims for uneven floor.
Freezer is touching the wall.	Freezer is touching the wall.	Level freezer or move slightly. See <i>Level Freezer</i> .
	Door left open.	Check to see if package is holding door open.
	Too frequent or too long door openings.	Open the door less often.
Freezer temperature too warm	Temperature control is set too warm.	Turn control to a colder setting. Allow several hours for the temperature to stabilize.
	Large amounts of water or hot food may have been stored recently.	Wait until the freezer has had a chance to reach its selected temperature.
	Freezer has been disconnected recently.	Freezer requires 4 hours to cool down completely.
	High temp alarm is on and temperature display is flashing.	Power outage may have caused high internal temperature.
	Freezer is unplugged.	Push the plug completely into the outlet.
Foods defrosting	The fuse is blown/circuit breaker is tripped.	Replace fuse or reset the breaker.
	Door left open.	Check to see if package is holding door open.
	Too frequent or too long door openings.	Open the door less often.
	Temperature control set too cold.	See <i>About the operation of your freezer</i> .
Freezer temperature too cold	Temperature control set too cold.	See <i>About the operation of your freezer</i> .

Troubleshooting Tips... Before you call for service

Problem	Possible Causes	What to Do
Moisture forms on outside of cabinet	Not unusual during periods of high humidity.	Wipe surface dry.
	Door may not be seating properly, causing cold air from inside the freezer to meet warm moist air from the outside.	See <i>Preparing to install the freezer</i> .
Interior light does not work	No power at outlet.	Replace fuse or reset the breaker.
	Freezer is unplugged.	Push the plug completely into the outlet.
	LED light burned out.	Replace the LED.
Door won't fully close by itself	Legs need adjusting.	See <i>Preparing to install the freezer</i> .
	Package holding door open.	Move package to a different location.
Slow starting time after being off	Built-in overload protection.	This is normal after being off.
Excessive frost buildup	Door left open.	Check to see if package is holding door open.
	Too frequent or too long door openings.	Open the door less often.
	Not unusual during periods of high humidity.	Wipe surface dry.
Freezer external surface temperature is warm	The external freezer walls can be as much as 30°F warmer than room temperature.	This is normal while the compressor works to transfer heat from inside the freezer cabinet.
Louder sound levels whenever freezer is on	Modern freezers have increased storage capacity and more stable temperatures. They require a high-efficiency compressor.	This is normal. When the surrounding noise level is low, you might hear the compressor running while it cools the interior.
Higher sound levels when compressor comes on	Freezer operates at higher pressures during the start of the ON cycle.	This is normal. Sound will level off or disappear as freezer continues to run.
Popping or cracking sound when compressor comes on	Metal parts undergo expansion and contraction, as in hot water pipes.	This is normal. Sound will level off or disappear as freezer continues to run.
Bubbling or gurgling sound, like boiling water	Refrigerant (used to cool freezer) is circulating throughout the system.	This is normal.
Moisture forms on inside freezer walls	Weather is hot and humid, which increases internal rate of frost buildup.	This is normal.
	Door may not be seating properly.	See <i>Preparing to install the freezer</i> .
	Door is kept open too long, or is opened too frequently.	Open the door less often.
Odors in freezer	Interior needs to be cleaned.	Clean interior with sponge, warm water and baking soda.
	Foods with strong odors are in the freezer.	Cover the food tightly.

Normal Operating Characteristics

- A warm cabinet exterior as the refrigeration system transfers heat from the inside to the outside through the exterior cabinet walls.
- The sound of the high-efficiency compressor motor.
- The sound of water dripping as it melts from the evaporator and escapes to the drain pan during defrost cycle.
- The sound of the fan circulating air within the interior of the cabinet providing a consistent temperature throughout.

GE Appliances Freezer Warranty

WARRANTY

GEAppliances.com

All warranty service is provided by our Factory Service Centers, or an authorized Customer Care® technician. To schedule service online, visit us at www.geappliances.com, or call GE Appliances at 800.GE.CARES (800.432.2737). Please have your serial number and your model number available when calling for service. In Canada, call 800.661.1616.

For the Period of:	GE Appliances Will Replace
One Year From the date of the original purchase	Any part of the freezer which fails due to a defect in materials or workmanship. During the limited one-year warranty , GE Appliances will also provide, free of charge , all labor and related service to replace the defective part.

What GE Appliances Will Not Cover:

- Service trips to your home to teach you how to use the product.
- Improper installation, delivery or maintenance.
- Failure of the product if it is abused, misused, or used for other than the intended purpose or used commercially.
- Loss of food due to spoilage.
- Damage caused after delivery.
- Replacement of house fuses or resetting of circuit breakers.
- Damage to the product caused by accident, fire, floods or acts of God.
- Incidental or consequential damage caused by possible defects with this appliance.
- Product not accessible to provide required service.

EXCLUSION OF IMPLIED WARRANTIES

Your sole and exclusive remedy is product repair as provided in this Limited Warranty. Any implied warranties, including the implied warranties of merchantability or fitness for a particular purpose, are limited to one year or the shortest period allowed by law.

For US Customers: This warranty is extended to the original purchaser and any succeeding owner for products purchased for home use within the USA. If the product is located in an area where service by a GE Appliances Authorized Servicer is not available, you may be responsible for a trip charge or you may be required to bring the product to an Authorized GE Appliances Service location for service. In Alaska, the warranty excludes the cost of shipping or service calls to your home.

Some states do not allow the exclusion or limitation of incidental or consequential damages. This warranty gives you specific legal rights, and you may also have other rights which vary from state to state. To know what your legal rights are, consult your local or state consumer affairs office or your state's Attorney General.

Warrantor: GE Appliances

For Customers in Canada: This warranty is extended to the original purchaser and any succeeding owner for products purchased in Canada for home use within Canada. In-home warrant service will be provided in areas where it is available and deemed reasonable by Mabe to provide.

Warrantor Canada: MC Commercial, Burlington, Ontario, L7R 5B6

Staple your receipt here. Proof of the original purchase date is needed to obtain service under the warranty.

Consumer Support

GE Appliances Website

Have a question or need assistance with your appliance? Try the GE Appliances Website 24 hours a day, any day of the year! You can also shop for more great GE Appliances products and take advantage of all our on-line support services designed for your convenience. In the US: GEAppliances.com In Canada: GEAppliances.ca

Register Your Appliance

Register your new appliance on-line at your convenience! Timely product registration will allow for enhanced communication and prompt service under the terms of your warranty, should the need arise. You may also mail in the pre-printed registration card included in the packing material.

In the US: GEAppliances.com/register

In Canada: Prodsupport.mabe.ca/crm/Products/ProductRegistration.aspx

Schedule Service

Expert GE Appliances repair service is only one step away from your door. Get on-line and schedule your service at your convenience any day of the year. In the US: GEAppliances.com/ge/service-and-support/service.htm or call 800.432.2737 during normal business hours.

In Canada: GEAppliances.ca/en/support/service-request or call 800.561.3344

Extended Warranties

Purchase a GE Appliances extended warranty and learn about special discounts that are available while your warranty is still in effect. You can purchase it on-line anytime. GE Appliances Services will still be there after your warranty expires. In the US: GEAppliances.com/ge/service-and-support/shop-for-extended-service-plans.htm or call 800.626.2224 during normal business hours.

In Canada: GEAppliances.ca/en/support/purchase-extended-warranty or call 800.290.9029

Parts and Accessories

Individuals qualified to service their own appliances can have parts or accessories sent directly to their homes (VISA, MasterCard and Discover cards are accepted). Order on-line today 24 hours every day.

In the US: GEApplianceparts.com or by phone at 877.959.8688 during normal business hours.

Instructions contained in this manual cover procedures to be performed by any user. Other servicing generally should be referred to qualified service personnel. Caution must be exercised, since improper servicing may cause unsafe operation.

Customers in Canada should consult the yellow pages for the nearest Mabe service center, visit our website at GEAppliances.ca/en/products/parts-filters-accessories or call 800.661.1616.

Contact Us

If you are not satisfied with the service you receive from GE Appliances, contact us on our Website with all the details including your phone number, or write to:

In the US: General Manager, Customer Relations | GE Appliances, Appliance Park | Louisville, KY 40225

GEAppliances.com/ge/service-and-support/contact.htm

In Canada: Director, Consumer Relations, Mabe Canada Inc. | Suite 310, 1 Factory Lane | Moncton, N.B. E1C 9M3

GEAppliances.ca/en/contact-us



UTILISATION DU CONGÉLATEUR

INFORMATION DE SÉCURITÉ ... 3

UTILISATION DU CONGÉLATEUR
Commande de température 5
Caractéristiques 7

ENTRETIEN ET NETTOYAGE ... 9

INSTALLATION
l'installation du la congélateur. 12

CONSEILS DE DÉPANNAGE ... 13

GARANTIE 14

**SOUTIEN AU
CONSOMMATEUR** 16

**MANUEL
D'UTILISATION
ET D'INSTALLATION**

Modèles verticaux—Sans givre :
FUF14, FUF17, FUF21

Transcrivez les numéros de modèle
et de série ici :

Numéro de modèle : _____

Numéro de série : _____

Ils sont inscrits sur une plaque qui
se sur la paroi gauche supérieure à
l'intérieur .

NOUS VOUS REMERCIONS D'ACCUEILLIR GE APPLIANCES CHEZ VOUS

Que vous ayez grandi avec GE Appliances ou qu'il s'agisse de votre première acquisition, nous sommes heureux de vous accueillir dans notre famille.

Nous sommes fiers du savoir-faire, de l'innovation et de l'esthétique qui composent chaque appareil GE Appliances, et nous pensons que vous le serez aussi. Dans cette optique, nous vous rappelons que l'enregistrement de votre électroménager vous assure la communication de renseignements importants sur le produit et la garantie lorsque vous en avez besoin.

Enregistrez votre électroménager GE en ligne dès maintenant. Des sites Web et des numéros de téléphone utiles figurent dans la section Soutien au consommateur de ce manuel d'utilisation. Vous pouvez aussi poster la fiche de garantie pré-imprimée incluse dans l'emballage.



GE APPLIANCES

INFORMATION DE SÉCURITÉ IMPORTANTES

LISEZ TOUTES LES DIRECTIVES AVANT D'UTILISER L'APPAREIL

⚠ AVERTISSEMENT

Pour réduire le risque d'incendie, d'explosion, de choc électrique ou de blessures lorsque vous utilisez votre congélateur, veuillez suivre ces consignes de sécurité :

- Ce congélateur doit être correctement installé conformément aux Consignes d'Installation avant toute utilisation.
- Remettez toutes les pièces et panneaux en place avant d'utiliser l'appareil.
- Ne stockez pas ou n'utilisez pas d'essence ou d'autres vapeurs et liquides inflammables à proximité de cet appareil ou de tout autre appareil électroménager.
- Nous déconseillons fortement l'utilisation d'une rallonge à cause des risques potentiels dans certaines conditions. Cependant, si l'utilisation d'un cordon prolongateur est nécessaire, ce dernier doit obligatoirement être homologué UL (aux USA) ou CSA (au Canada), à trois brins avec mise à la terre pour appareil électroménager et doit être équipé d'une fiche et d'une prise femelle avec terre. Les caractéristiques électriques du cordon prolongateur doivent être de 15 ampères (minimum) et de 120 volts.
- Pour éviter les risques d'asphyxie et d'enfermement pour les enfants. Démontez les portes du congélateur avant de le mettre au rebut ou d'interrompre son utilisation.
- Ne laissez pas les enfants grimper, se mettre debout ou se suspendre aux poignées de portes dans le congélateur. Ils pourraient se blesser gravement.
- Débranchez le congélateur :
 - Pour mettre le congélateur hors tension. Ce dernier ne peut pas être mis hors tension à partir du panneau de commande.
 - Pour le nettoyer, remplacer une ampoule grillée ou effectuer des réparations.

REMARQUE : Les réparations doivent être effectuées par un professionnel qualifié.

AVERTISSEMENTS DE LA PROPOSITION 65 DE L'ÉTAT DE LA CALIFORNIE:

⚠ AVERTISSEMENT

Ce produit contient une ou plusieurs substances chimiques reconnues par l'État de Californie pour causer le cancer et des anomalies congénitales ou d'autres problèmes liés à la reproduction.

⚠ ATTENTION

Respectez ces précautions de base pour éviter le risqué de blessures lorsque vous utilisez votre congélateur.

- Ne nettoyez pas les clayettes ou les couvercles en verre avec de l'eau tiède quand ceux-ci sont froids. Les clayettes et couvercles en verre peuvent se casser s'ils sont exposés à des changements soudains de température ou si vous les cognez ou les faites tomber. Le verre trempé est conçu pour se briser en petits morceaux en cas de casse
- Éloignez les doigts des parties du congélateur où l'on peut facilement se pincer : les espaces entre les portes, et entre les portes et les placards sont toujours étroits. Soyez prudent lorsque vous fermez les portes en présence d'enfants.
- Ne touchez pas les surfaces froides du congélateur lorsque vous avez les mains humides ou mouillées. La peau risque d'adhérer à ces surfaces extrêmement froides.
- Ne recongelez pas les aliments surgelés qui ont complètement dégelé.

INSTALLATION

⚠ AVERTISSEMENT



Risque d'explosion

Conservez les matériaux et vapeurs inflammables tels que l'essence à l'écart de votre congélateur. Une explosion, un incendie voire la mort pourrait en résulter.

LIRE ET CONSERVER CES INSTRUCTIONS

INFORMATION DE SÉCURITÉ IMPORTANTES

LISEZ TOUTES LES DIRECTIVES AVANT D'UTILISER L'APPAREIL

BRANCHEMENTS ÉLECTRIQUES

⚠ AVERTISSEMENT



RISQUE DE CHOC ÉLECTRIQUE

Branchez l'appareil dans une prise triple avec terre.

Ne retirez pas la broche de terre.

N'utilisez pas d'adaptateur.

Le non-respect de ces instructions peut entraîner des risques d'incendies, des chocs électriques ou la mort.

Ne coupez ni retirez en aucun cas la troisième broche (mise à la terre) de la fiche du cordon d'alimentation. Pour votre sécurité, cet appareil doit être correctement mis à la terre.

Le cordon d'alimentation de cet appareil est muni d'une fiche à 3 broches (mise à la terre) qui se branche dans une prise murale ordinaire à 3 alvéoles (mise à la terre) pour réduire au minimum les risques de chocs électriques.

Faites examiner la prise de courant et le circuit par un électricien qualifié pour vous assurer que la prise est correctement mise à la terre.

Dans le cas d'une prise biphasée, l'installateur a la responsabilité et l'obligation de la remplacer par une prise triphasée correctement mise à la terre. N'utilisez pas d'adaptateur.

Le congélateur doit toujours être branché dans sa propre prise de courant, dont la tension nominale est identique à celle indiquée sur la plaque signalétique.

Une alimentation électrique à 115 volts CA, 60 Hz, avec un fusible de 15 ou 20 ampères et une mise à la terre est nécessaire. Ceci permet d'obtenir un meilleur rendement et évite de surcharger les circuits électriques du domicile qui risque d'occasionner un incendie en surchauffant.

Ne débranchez jamais le congélateur en tirant sur le cordon d'alimentation. Saisissez fermement la fiche du cordon et tirez droit pour la retirer de la prise.

Réparez ou remplacez immédiatement tout cordon effiloché ou endommagé. N'utilisez pas un cordon fendillé ou présentant des signes d'usure.

Lorsque vous déplacez votre congélateur du mur, faites attention de ne pas le faire rouler sur le cordon d'alimentation afin de ne pas l'endommager.

MISE AU REBUT APPROPRIÉE DE VOTRE ANCIEN CONGÉLATEUR

⚠ AVERTISSEMENT

UN ENFANT RISQUE DE SUFFOQUER OU D'Y ÊTRE EMPRISONNÉ

Démontez les portes du compartiment de réfrigération et du compartiment de congélation, avant mettre celui-ci au rebut. Le non-respect de cette recommandation peut entraîner l'enfermement d'un enfant qui peut entraîner la mort ou des lésions cérébrales.

IMPORTANT: Les enfants pris au piège ou morts d'asphyxie sont toujours d'actualité. Les réfrigérateurs et congélateurs abandonnés sont toujours aussi dangereux, même si on n'attend que «quelques jours» pour s'en débarrasser. Si vous ne gardez pas votre ancien congélateur, veuillez suivre les directives ci-dessous afin de prévenir les accidents.

Avant de vous débarrasser de votre ancien congélateur :

- Démontez les portes.
- Laissez les clayettes en place afin d'empêcher les enfants de grimper à l'intérieur.

Réfrigérants

Tous les appareils de réfrigération contiennent des réfrigérants qui, conformément aux lois fédérales, doivent être enlevés avant toute élimination de l'appareil. Si vous vous débarrassez de vieux appareils de réfrigération, vérifiez, auprès de la société qui s'occupe de leur élimination, ce que vous devez faire.

LIRE ET CONSERVER CES INSTRUCTIONS

Commande de température

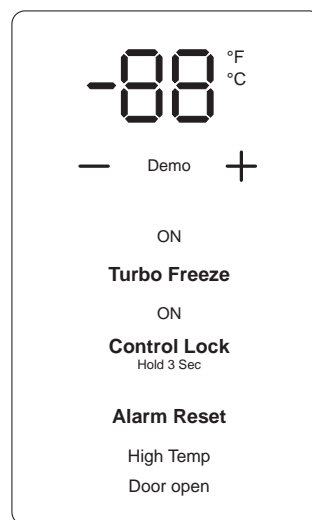
Pour un stockage sûr des aliments, laissez complètement refroidir votre congélateur pendant 4 heures. Pendant les premières heures, le congélateur fonctionnera en continu. Les aliments déjà congelés peuvent être placés dans le congélateur après les premières heures de fonctionnement. Les aliments non congelés NE doivent PAS être placés dans le congélateur avant que ce dernier n'ait été en fonctionnement pendant 4 heures. Il est nécessaire d'attendre quelques heures après chaque réglage pour que la température du congélateur se stabilise.

Lorsque vous chargez le congélateur, ne congelez pas plus de 3 livres (1,5 kg) d'aliments frais par pied cube de capacité du congélateur. Distribuez les paquets régulièrement dans le congélateur. Il n'est pas nécessaire de positionner le bouton de commande sur un réglage plus froid lorsque vous congelez des aliments.

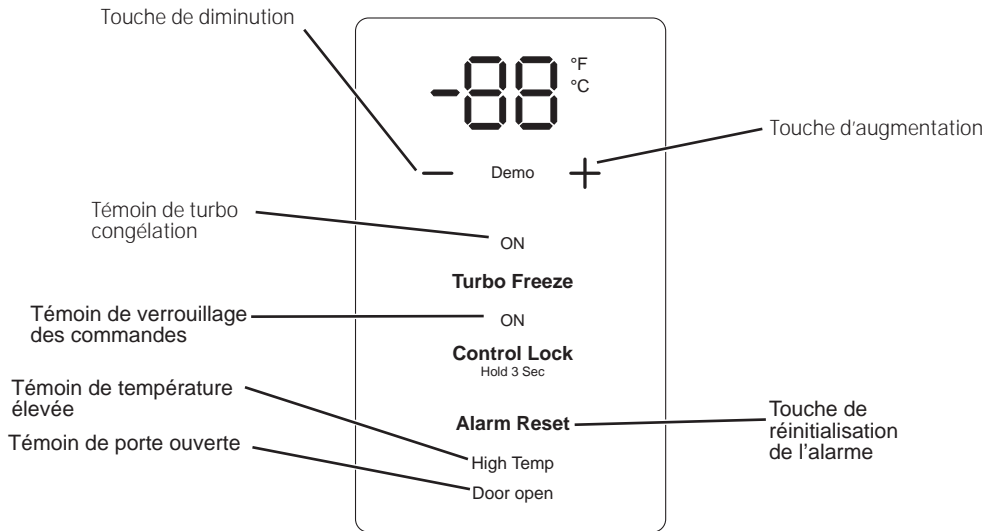
En réglant la commande sur OFF (éteint), la congélation est arrêtée mais l'alimentation électrique du congélateur n'est pas coupée.

Démarrage du congélateur à l'aide de la commande électronique

1. Si vous le souhaitez, nettoyez l'intérieur du congélateur à l'aide d'une solution d'eau et de bicarbonate de soude (voir Entretien et nettoyage).
2. Branchez le cordon dans une prise de courant. L'affichage en sept segments apparaîtra en clignotant la réglage de température par défaut de 0 °F et l'alarme « High Temp » (température élevée) s'affichera sur la commande de température électronique accompagnée d'un avertissement sonore. Pour faire cesser l'alarme et le clignotement, appuyez sur « Alarm Reset » (réinitialisation de l'alarme) sur le tableau de commande; le voyant « High Temp » restera allumé jusqu'à ce que le congélateur atteigne une température de conservation sûre.
3. Appuyez sur « - » ou « + » pour atteindre la température désirée.
4. Appuyez sur les boutons « - » et « + » simultanément durant 3 secondes pour basculer l'affichage de la température entre °F et °C.
5. Laissez le congélateur fonctionner pendant au moins quatre heures avant de placer des aliments à l'intérieur.



Commande de température



Cette commande de température électronique est située à l'avant de la porte du congélateur. La température est réglée en usine pour offrir une température de stockage d'aliments satisfaisante. Pour modifier le réglage de température, appuyez sur « - » pour diminuer la température ou sur « + » pour augmenter la température. Attendez plusieurs heures pour que la température se stabilise avant d'effectuer d'autres ajustements.

Alarme High Temp (alarme de température élevée)

Cette commande électronique comporte une alarme de température élevée. Cette alarme se fera entendre si la température du congélateur est élevée. Pour arrêter l'alarme, appuyez sur **Alarm Reset** (réinitialisation de l'alarme) sur le panneau de commande.

Le témoin **High Temp** restera allumé sur le panneau de commande jusqu'à ce que la température de réglage soit atteinte. L'alarme retentira de nouveau si la température n'est pas corrigée et demeure élevée au bout de six heures.

Turbo Freeze (turbo congélation)

Pour activer la fonction de turbo congélation, appuyez sur **Turbo Freeze** jusqu'à ce que le témoin **ON** (marche) de cette fonction s'allume. L'appareil sera en mode « turbo congélation » durant 8 heures et son témoin **ON** restera allumé. Au bout de 8 heures, cette fonction et son témoin lumineux s'éteignent automatiquement. Pour quitter le mode « turbo congélation » avant l'arrêt automatique au bout de 8 heures, appuyez sur **Turbo Freeze** jusqu'à ce que son témoin **ON** s'éteigne.

Control Lock (verrouillage des commandes)

Pour verrouiller les commandes, maintenez une pression sur **Control Lock** durant 3 secondes jusqu'à ce que son témoin **ON** (marche) s'allume.

Pour déverrouiller, maintenez une pression sur **Control Lock** durant 3 secondes. Son voyant **ON** s'éteindra et le panneau de commande sera déverrouillé. Il est impossible de modifier les réglages lorsque le panneau de commande est verrouillé.

Panne de courant

Si la température intérieure a été rétablie avant que vous appuyiez sur **Alarm Reset**, l'alarme cessera d'elle-même et le témoin « High Temp » s'éteindra automatiquement. L'affichage

de la température continuera à clignoter pour rappeler qu'une panne de courant est survenue. Appuyez sur **Alarm Reset** pour arrêter le clignotement.

Si une panne de courant cause une élévation de la température intérieure, l'alarme de température élevée retentira et l'affichage de température clignotera. Pour faire cesser l'alarme et le clignotement, appuyez sur **Alarm Reset** (réinitialisation de l'alarme) sur le tableau de commande; le voyant « High Temp » restera allumé jusqu'à ce que le congélateur atteigne une température de conservation sûre.

Alarme Door Open (alarme de porte ouverte)

Si la porte est laissée ouverte plus de 2 minutes, la mention « **Door Open** » apparaîtra sur le panneau de commande et une alarme retentira : refermez la porte ou appuyez sur **Door Open** pour les éteindre. Si l'on a appuyé sur **Door Open** sans fermer la porte, la mention sera toujours affichée tant que la porte ne sera pas fermée. Si la porte est toujours ouverte au bout de 10 minutes suivant une pression sur **Door Open**, l'alarme retentira de nouveau.

High Temp Light (témoin de température élevée)

Le témoin de température élevée sera allumé tant que le congélateur n'aura pas atteint -5°C (23°F) (température sécuritaire) et que le compartiment n'ait atteint la température réglée.

Bouton de réglage de température en Celsius ou Fahrenheit

Pour modifier la température en Celsius ou en Fahrenheit, appuyez et maintenez simultanément les boutons « - » et « + » enfoncés pendant 5 secondes.

Mode Veille

Les réglages du panneau de commande sont affichés dans des conditions normales. Maintenez une pression simultanément sur **Control Lock** (verrouillage du panneau de commande) et **Turbo Freeze** (turbo congélation) durant 3 secondes. La commande électronique passera en mode Veille et n'affichera pas les réglages. Ceux-ci seront affichés pendant 30 secondes si l'un des boutons du panneau est pressé ou si la porte est ouverte pendant le mode Veille. Maintenez une pression sur **Control Lock** et **Turbo Freeze** durant 3 secondes de nouveau pour désactiver le mode Veille.

Caractéristiques

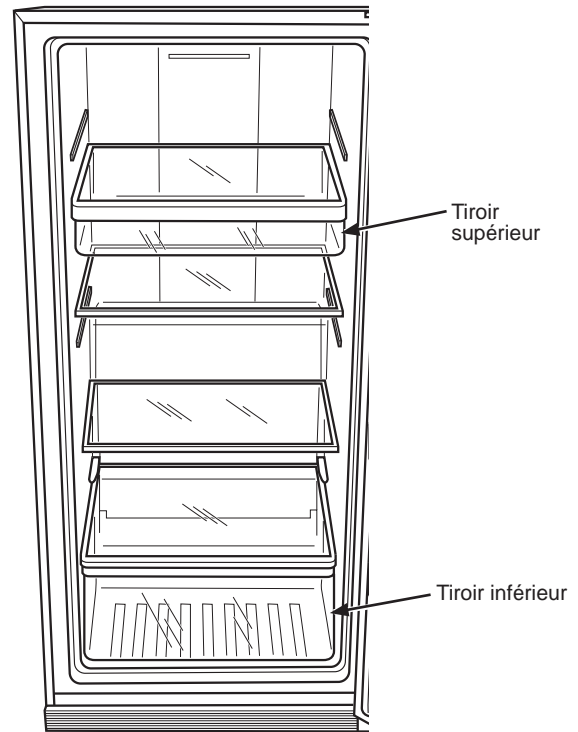
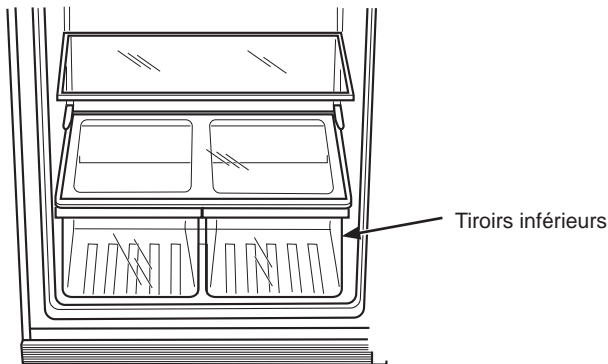
Voyant marche

Le voyant marche vous indique que le congélateur est correctement raccordé à l'alimentation électrique.

Le voyant reste allumé même lorsque la commande de température est réglée à OFF (éteint).

Tiroirs (certains modèles)

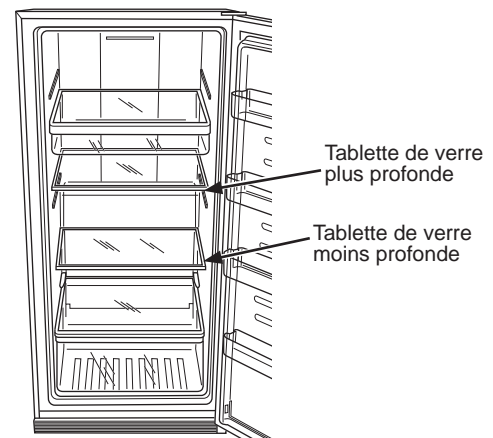
Les tiroirs procurent des espaces de stockage séparés pour les articles difficiles à placer sur les tablettes. Pour enlever les tiroirs, tirer vers l'extérieur puis vers le haut.



Tablette en verre réglables

Les tablettes en verre sont réglables et leur profondeur varie pour s'adapter au congélateur : placer les plus profondes dans le haut et les moins profondes dans le bas de l'appareil.

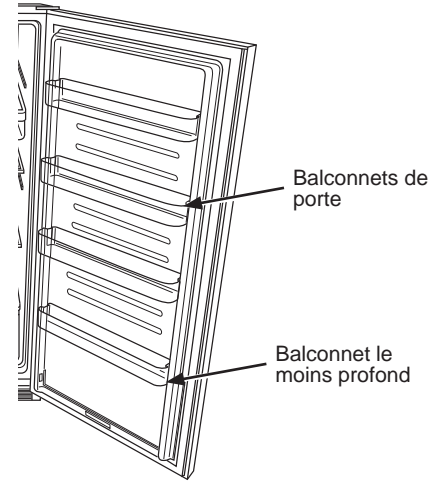
Les tablettes en verre sont réglables, certaines sont pleine profondeur et les autres sont d'une profondeur partielle. La tablette en verre pleine profondeur doit être installée dans une position plus haute où l'appareil est plus profond; la tablette en verre à profondeur partielle doit être installée dans une position inférieure où l'appareil est moins profond.



Caractéristiques

Balconnets de porte transparents

Placez la balconnet le moins profond dans le bas de l'appareil, les trois autres sont de pleine profondeur.



Entretien et nettoyage

Nettoyage de l'intérieur

Afin de prévenir les odeurs, laissez une boîte de bicarbonate de soude ouverte dans le congélateur.

Débranchez le congélateur avant de le nettoyer. Si cela n'est pas pratique, essorez le surplus d'humidité d'une éponge ou d'un linge en nettoyant autour des interrupteurs, des lampes, des témoins lumineux ou des commandes. Utilisez une solution de bicarbonate de soude dans de l'eau tiède – environ une cuillerée à table (15 ml) de bicarbonate dans un litre d'eau. En plus de nettoyer, cette solution neutralise les odeurs. Rincez à fond et essuyez pour sécher.

ATTENTION

Ne nettoyez pas les tablettes en verre avec de l'eau chaude lorsqu'ils sont froids. Les tablettes en verre peuvent se briser s'ils sont exposés à une variation de température soudaine, ou soumis à un impact s'ils sont heurtés ou échappés. S'il se brise, le verre trempé est conçu pour se fracturer en un grand nombre de petits éclats

Ne lavez aucune pièce en plastique du congélateur au lave-vaisselle.

Abstenez-vous de nettoyer le congélateur avec des produits qui contiennent un détergent, un javellisant ou de l'ammoniac car cela peut l'endommager.

Après le nettoyage des joints d'étanchéité de la porte, appliquez une fine couche de gelée de pétrole sur ceux-ci du côté charnières. Cela empêchera les joints de coller et de se déformer.

Nettoyage de l'extérieur

Poignées de porte et garniture. Nettoyez avec un linge imbibé d'eau savonneuse. Séchez avec un linge doux.

Gardez l'extérieur propre. Essuyez avec un linge propre légèrement imbibé d'une cire pour électroménagers ou d'un détergent liquide pour vaisselle. Séchez et polissez avec un linge propre et doux. N'essuyez pas le congélateur avec un linge à vaisselle sale ou une serviette humide. Les résidus qu'ils laissent peuvent éroder la peinture. N'utilisez pas de tampons à récurer, de nettoyeurs en poudre, de javellisants ni de nettoyeurs qui en contiennent car ces produits peuvent rayer et altérer le fini peint.

Pas de dégivrage

Vous n'aurez jamais à dégivrer votre nouveau congélateur Sans givre. Il a été pré-réglé à l'usine pour un dégivrage automatique.

Durant le dégivrage, un léger bruit peut se faire entendre si la porte est ouverte lorsque le congélateur est dans un cycle de dégivrage automatique.

Entretien et nettoyage

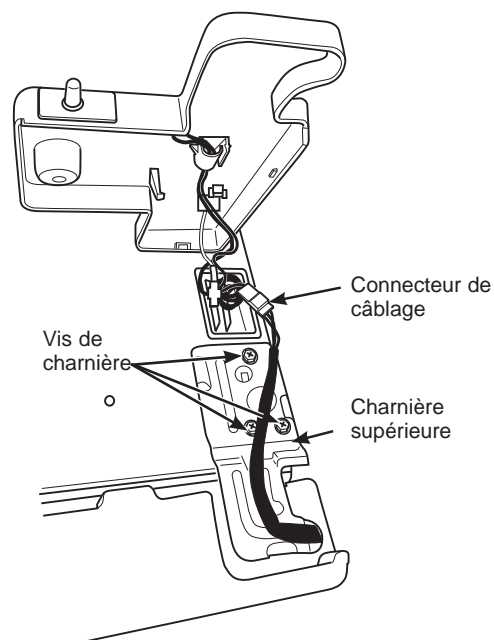
Enlèvement de la porte du congélateur

1. Enlevez d'abord le couvercle de charnière en plastique : retirez une vis, débranchez le connecteur de câblage et retirez la thermistance ambiante du couvercle, puis levez le couvercle pour le dégager.
2. Retirez les vis qui fixent la charnière sur le dessus de la carrosserie à l'aide d'un tournevis étoilé ou d'un tournevis à douille 5/16 po. Veillez à ne pas endommager le câblage à proximité.
3. Retirez la charnière supérieure de la carrosserie et soulevez la porte pour la dégager de l'axe de charnière inférieur. Mettez la porte de côté.
4. Retirez les vis de la charnière inférieure.

Pour replacer les portes, inversez l'ordre des instructions ci-dessus.

AVIS : Il est très important que toutes les vis de charnière soient bien serrées pour assurer la sûreté du montage et prévenir le glissement des charnières. Cependant ne serrez pas les vis de charnière excessivement. Serrez-les jusqu'au bout, puis tournez-les d'un 1/2 tour.

REMARQUE : L'ouverture de porte n'est pas réversible.



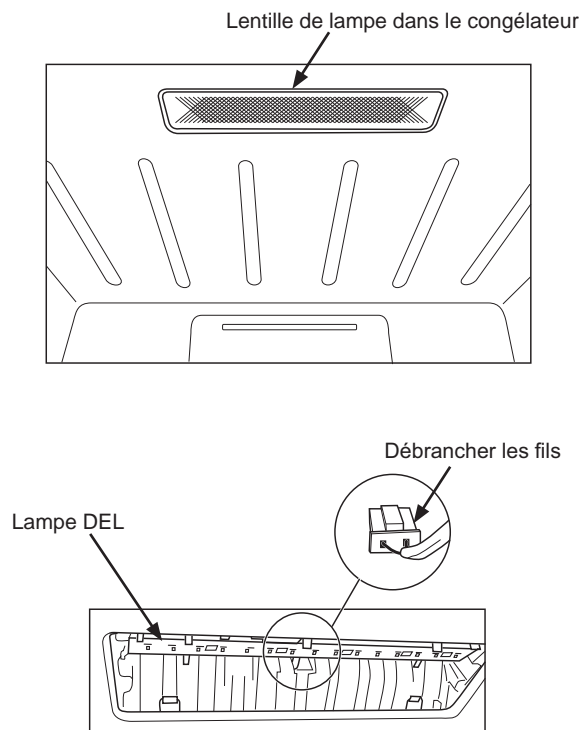
Remplacement de la lampe DEL

La lampe DEL est située derrière sa lentille dans le plafond du compartiment congélateur.

Pour remplacer la lampe DEL :

1. Retirez la tablette supérieure (s'il y a lieu).
2. Poussez délicatement les trois languettes encliquetables à l'avant de la lentille, libérez la lentille de la doublure puis tirez pour la dégager.
3. Retirez la lampe DEL des languettes de montage.
4. Tirez délicatement les fils et débranchez-les de l'appareil.
5. Glissez une nouvelle lampe DEL en place dans les languettes de montage.
6. Remplacez la lentille en glissant les languettes derrière la lentille dans les fentes et poussez la lentille vers le haut jusqu'à ce que les languettes du devant s'encliquètent en place.

Pour commander une lampe DEL, veuillez appeler GE Appliances au 800.GE.CARES (800.492.2737) pendant les heures d'affaires normales.



Entretien et nettoyage

Lors d'une panne de courant prolongée

- Gardez la porte du congélateur fermé. Votre congélateur peut garder les aliments congelés pendant 24 heures lorsque la porte n'est pas ouvert.
- Si le congélateur ne fonctionne pas pendant plus de 24 heures, ajoutez de la glace sèche. Placez de gros morceaux de glace dans l'appareil. Ajoutez-en davantage au besoin.

ATTENTION La manipulation de glace sèche peut causer des gelures aux mains—il est recommandé de porter des gants ou autre équipement de protection.

- Si vous ne disposez pas de glace sèche, enlevez les aliments et placez-les temporairement dans une armoire pour produits congelés jusqu'à ce que le courant soit rétabli.

Déménagement

Débranchez le cordon d'alimentation de la prise murale. Retirez tous les aliments, faites dégivrer (sur les modèles à Dégivrage non automatique), puis nettoyez le congélateur.

Fixez toutes les pièces mobiles, comme la grille et les clayettes, en les immobilisant à l'aide de ruban gommé afin d'éviter de les endommager.

Assurez-vous que le congélateur reste à la verticale pendant un déplacement et lors du transport. Le congélateur doit être retenu solidement pendant le transport pour éviter qu'il ne bouge. Protégez l'appareil à l'aide d'une couverture.

Lorsque vous partez en vacances

Pour assurer le bon fonctionnement de votre congélateur pendant vos vacances, assurez-vous que l'alimentation secteur de votre résidence n'est pas coupée. Pour assurer la protection des denrées dans votre congélateur, vous pouvez demander à un voisin de vérifier toutes les 48 heures l'alimentation électrique et le fonctionnement de votre congélateur.

Lorsque vous vous absentez pendant une période prolongée, il peut être préférable de ranger temporairement vos aliments congelés dans une armoire de rangement pour produits congelés. Si vous laissez votre congélateur vide, débranchez le cordon d'alimentation de la prise de courant. Pour prévenir la formation d'odeurs, placez une boîte ouverte de bicarbonate de soude dans le congélateur et laissez la porte de l'appareil ouvert.

Lorsque le congélateur ne fonctionne pas, il peut être laissé dans une pièce non chauffée sans que l'appareil ou son mécanisme ne subissent de dommages.

POUR ÉCONOMISER/CONSERVER L'ÉNERGIE

- Le congélateur doit être placé dans la zone la plus froide de la pièce, éloigné de tout appareil produisant de la chaleur, de tuyauteries de chauffage et à l'écart de la lumière directe du soleil.
- Laissez les aliments chauds refroidir à température ambiante avant de les placer dans le congélateur. Si vous surchargez votre congélateur, le compresseur fonctionnera pendant plus longtemps. Les aliments congelés trop lentement risquent de perdre leur qualité ou de se gâter.



- Assurez-vous de correctement envelopper les aliments et séchez bien les récipients avant de les placer dans le congélateur. Ceci évitera l'accumulation de givre dans le congélateur.
- Les clayettes du congélateur ne doivent pas être recouvertes de papier aluminium, de papier ciré ou de papier absorbant. Les films protecteurs interfèrent avec la circulation d'air froid rendant votre congélateur moins efficace.
- Organisez et étiquetez vos aliments pour réduire les ouvertures de porte et les recherches de longues durées. Retirez autant d'articles nécessaires en une seule fois et refermez la porte aussi rapidement que possible.

Installation du Congélateur

Emplacement du congélateur

Votre congélateur doit être installé à un endroit pratique, en vue d'une utilisation quotidienne, dans une pièce bien aérée où l'air est sec.

N'installez pas votre congélateur dans l'endroit où la température est au-dessous de 0° F (-18° C) ou au-dessus de 110° F (43° C) parce qu'il ne maintiendra pas les températures appropriées.

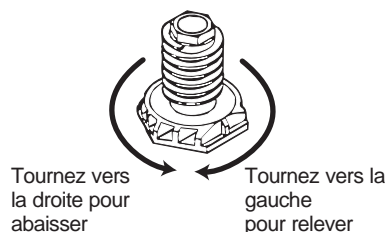
Assurez-vous que le plancher sur lequel sera installé votre congélateur est suffisamment solide pour le supporter lorsqu'il est plein.

Dégagements

Sur tous les modèles, prévoyez un dégagement de 3 po (76 mm) de chaque côté, à l'arrière et au-dessus de l'appareil afin d'assurer une circulation d'air adéquate.

Pieds réglables

Les pieds situés aux coins à l'avant du congélateur doivent être réglés de manière que l'appareil repose solidement sur le sol et que l'avant soit légèrement relevé afin que la porte se referme facilement lorsqu'elle est ouverte à moitié.



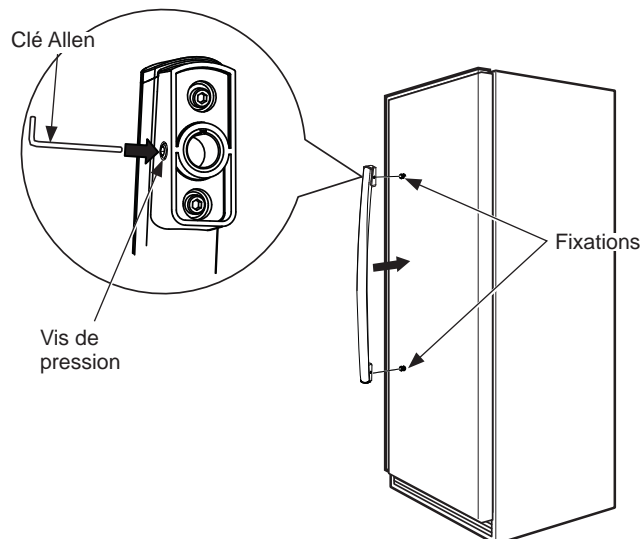
Mise à Niveau du Congélateur

Jetez les vis de la caisse et la base en bois. Utilisez un niveau de menuisier pour mettre le congélateur de niveau entre l'arrière à l'avant. Ajustez les pieds réglables en plastique à l'avant pour qu'ils soient plus hauts d'1/2 bulle afin que la porte se referme facilement lorsqu'elle est laissée ouverte.

Poignée de Porte

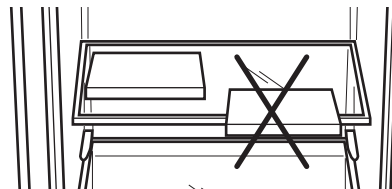
La forma de asidero puede variar en su modelo.

1. Aligner la poignée sur les fixations.
2. Pousser la poignée sur les fixations jusqu'à ce qu'elle touche la porte.
3. Pousser la poignée sur les fixations jusqu'à ce qu'elle touche la porte.



Chargement de l'appareil

REMARQUE : Pour permettre la fermeture et l'étanchéité correcte de la porte, NE laissez PAS les emballages d'aliments dépasser des clayettes.



Conseils de dépannage... Avant de faire un appel de service

Économisez temps et argent! Consultez d'abord les tableaux des pages suivantes et vous pourriez vous éviter un appel de service.

Problème	Causes possibles	Correctifs
Le congélateur ne fonctionne pas	Le congélateur n'est pas branché.	Enfoncez bien la fiche dans la prise murale.
	Le fusible est grillé/le disjoncteur est déclenché.	Remplacez le fusible ou réenclenchez le disjoncteur.
	Le témoin « Demo » est allumé et le congélateur est en mode Demo (démonstration).	Veillez d'abord appuyer sur « Alarm Reset », ensuite appuyez immédiatement et en même temps sur « - », « + » et « Control Lock » durant 5 secondes puis relâchez. Le témoin « Demo » s'éteindra.
Le congélateur se met en marche et s'arrête trop fréquemment	Porte ou couvercle laissé ouvert.	Vérifiez qu'il n'y a pas un paquet qui empêche la porte de se fermer.
	Ouverture trop fréquente ou trop prolongée de la porte ou du couvercle.	Ouvrez la porte moins fréquemment.
	Commande réglée à une température trop basse.	Consultez <i>Fonctionnement de votre congélateur</i> .
Le congélateur fonctionne trop longtemps	Porte ou couvercle laissé ouvert.	Vérifiez qu'il n'y a pas un paquet qui empêche la porte de se fermer.
	Ouverture trop fréquente ou trop prolongée de la porte ou du couvercle.	Ouvrez la porte moins fréquemment.
	Commande réglée à une température trop basse.	Consultez <i>Fonctionnement de votre congélateur</i> .
	Circulation d'air inadéquate autour de l'appareil.	Consultez <i>Préparatifs pour l'installation du congélateur</i> .
	La température dans la pièce ou à l'extérieur est élevée.	C'est normal, le congélateur doit fonctionner plus longtemps dans ces conditions.
	Le congélateur a été récemment	Il faut 4 heures pour que le congélateur refroidisse complètement.
Fonctionnement bruyant ou vibration de l'appareil	De grosses quantités d'aliments tièdes ou chauds ont récemment été placées dans le congélateur.	Les aliments tièdes vont faire fonctionner le congélateur jusqu'à la température souhaitée soit atteinte.
	Le plancher peut manquer de solidité, ce qui fait vibrer le congélateur lorsque le compresseur fonctionne.	Assurez-vous que le congélateur est déposé sur un plancher solide et ajustez les pattes de nivellement, le cas échéant.
	L'appareil ne repose pas solidement sur le sol.	Réglez les pieds de nivellement (sur les modèles verticaux). Consultez <i>Préparatifs pour l'installation du congélateur</i> ou installez des cales pour compenser les inégalités du sol.
Le congélateur touche le mur.		Mettez le congélateur de niveau ou déplacez-le légèrement. Consultez <i>Mise à niveau du congélateur</i> .
	Température trop élevée dans le congélateur	
Température trop élevée dans le congélateur	Porte ou couvercle laissé ouvert.	Vérifiez qu'il n'y a pas un paquet qui empêche la porte de se fermer.
	Ouverture trop fréquente ou trop prolongée de la porte ou du couvercle.	Ouvrez la porte moins fréquemment.
	La température est réglée sur une température trop élevée.	Réglez la commande sur une température plus basse. Attendez quelques heures pour que la température se stabilise.
	De grosses quantités d'eau ou d'aliments chauds ont récemment été placées dans le congélateur.	Attendez que le congélateur ait pu revenir à la température sélectionnée.
	Le congélateur a été récemment débranché.	Le congélateur met 4 heures pour refroidir complètement.
Les aliments dégèlent	Commande de température réglée à OFF (éteint).	Réglez la commande à un réglage de température.
	Le congélateur n'est pas branché.	Enfoncez bien la fiche dans la prise murale.
	Le fusible est grillé/le disjoncteur est déclenché.	Remplacez le fusible ou réenclenchez le disjoncteur.
	Porte ou couvercle laissé ouvert.	Vérifiez qu'il n'y a pas un paquet qui empêche la porte de se fermer.
	Ouverture trop fréquente ou trop prolongée de la porte ou du couvercle.	Ouvrez la porte moins fréquemment.
Température trop basse dans le congélateur	Commande réglée à une température trop basse.	Consultez <i>Fonctionnement de votre congélateur</i> .

Conseils de dépannage... Avant de faire un appel de service

Problem	Possible Causes	What to Do
De la condensation se forme sur l'extérieur de l'appareil	Phénomène normal par temps très humide.	Essuyez bien l'extérieur.
	La porte ne doit pas être complètement étanche et l'air froid du congélateur se mélange à l'air chaud et humide de l'extérieur.	Consultez <i>Préparatifs pour l'installation du congélateur</i> .
La lampe intérieure ne s'allume pas (sur certains modèles)	Pas de courant à la prise.	Remplacez le fusible ou réenclenchez le disjoncteur.
	Le congélateur n'est pas branché.	Branchez la fiche comme il faut dans la prise de courant.
	L'ampoule est grillée.	Remplacez l'ampoule.
La porte ne se ferme pas complètement de lui-même	Il faut régler les pieds de nivellement.	Consultez <i>Préparatifs pour l'installation du congélateur</i> .
	Un paquet empêche la porte de se fermer.	Déplacez l'emballage vers un autre endroit.
Remise en marche lente après une période de non-fonctionnement	Dispositif intégré de protection contre les surcharges.	Ceci est normal après la mise hors tension.
Accumulation excessive de givre	Porte ou couvercle laissé ouvert.	Vérifiez qu'il n'y a pas un paquet qui empêche la porte de se fermer.
	Ouverture trop fréquente ou trop prolongée de la porte ou du couvercle.	Ouvrez la porte moins fréquemment.
	Phénomène normal par temps très humide.	Essuyez et asséchez la surface.
La surface extérieure du congélateur est tiède	Les parois extérieures du congélateur peuvent dépasser de 30°F (environ 17°C) la température ambiante de la pièce.	C'est normal, le compresseur est en marche pour éliminer la chaleur de l'intérieur du congélateur.
Le niveau sonore est plus élevé lorsque le congélateur est en marche	Les congélateurs récents ont une plus grande capacité de stockage et des températures plus stables. Ceci nécessite un compresseur d'une grande efficacité.	C'est normal. Lorsque le bruit ambiant est faible, vous entendrez peut-être le compresseur lors du refroidissement du congélateur.
Le niveau sonore est plus élevé lorsque le compresseur démarre	Le compresseur fonctionne à des pressions plus élevées en début de cycle ON (Allumé) .	C'est normal. Le bruit diminuera ou s'arrêtera lorsque le congélateur continuera à fonctionner.
Bruits secs et craquements lorsque le compresseur se met en marche	Les parties métalliques subissent des expansions et des contractions, comme dans les tuyauteries d'eau chaude.	C'est normal. Le bruit diminuera ou s'arrêtera lorsque le congélateur continuera à fonctionner.
Bruits de bouillonnement et de gargouillement, comme de l'eau en ébullition	Le réfrigérant (utilisé pour refroidir le congélateur) circule dans le système.	C'est normal.
La condensation se forme sur les parois internes du congélateur	Le temps est chaud et humide ce qui augmente la formation de givre à l'intérieur du congélateur.	C'est normal.
	La porte n'est peut-être pas étanche.	Consultez <i>Préparatifs pour l'installation du congélateur</i> .
	La porte est laissée ouverte trop longtemps ou est ouverte trop fréquemment.	Ouvrez moins fréquemment la porte.
Odeurs dans le congélateur	L'intérieur a besoin d'être nettoyé.	Nettoyez l'intérieur avec une éponge, de l'eau tiède et du bicarbonate de soude.
	Des aliments à fortes odeurs sont stockés dans le congélateur.	Couvrez correctement les aliments.

Caractéristiques normales de fonctionnement

- L'extérieur du congélateur devient chaud lorsque le système de réfrigération transfère la chaleur de l'intérieur vers l'extérieur à travers les parois extérieures du congélateur.
- Le son du moteur du compresseur à rendement hautement efficace.
- Sur les modèles Sans givre, le son de l'eau de l'évaporateur qui s'égoutte en fondant dans le plateau de dégivrage pendant le cycle de dégivrage.
- Sur les modèles Sans givre, le son du ventilateur qui circule l'air à l'intérieur de l'appareil afin de maintenir une température uniforme dans tout le congélateur.

GE Appliances Garantie du congélateur

Toutes les réparations en vertu de la garantie sont fournies par nos Centres de Service d'Usine ou par un technicien autorisé Customer Care®. Pour prévoir une réparation, consultez notre site electromenagersge.ca/fr/soutien/demande-de-service ou appelez le 800.661.1616. Veuillez avoir votre numéro de série et votre numéro de modèle à portée de main lorsque vous appelez pour obtenir un service.

Pendant la période de garantie de :	GE Appliances remplacera
Un An A compter de la date d'achat initial	Toute pièce du congélateur qui s'avère défectueuse en raison d'un défaut de matériau ou de fabrication. Pendant la validité de la présente garantie limitée d'un an, GE Appliances fournira également gratuitement la main d'œuvre et le service pour réparer la pièce défectueuse.

Ce qui n'est pas couvert par GE Appliances :

- Toute visite à votre domicile pour vous expliquer le fonctionnement de l'appareil.
- Mauvaise installation, livraison ou entretien.
- Toute défectuosité du produit lorsqu'il est utilisé de façon abusive, ou à des fins commerciales ou à toute autre fin que celle pour laquelle il a été conçu.
- Perte des aliments due à la détérioration.
- Dommage subi après la livraison.
- Le remplacement des fusibles ou le réenclenchement des disjoncteurs.
- Tout dommage au produit attribuable à un accident, un incendie, une inondation ou un cas de force majeure.
- Tout dommage direct ou indirect attribuable à une défectuosité éventuelle de l'appareil.
- Le service s'il est impossible d'avoir accès au produit pour ce faire.

EXCLUSION DES GARANTIES TACITES

Votre recours exclusif est l'échange du produit suivant les modalités de la Garantie Limitée. Toutes garanties tacites, y compris les garanties de valeurs marchandes ou d'adéquation à des fins particulières, sont limitées à une durée d'un an ou à la durée la plus courte autorisée par la loi.

Pour les clients des États-Unis : Cette garantie est étendue à l'acheteur d'origine et aux propriétaires suivants pour tout produit acheté pour une utilisation domestique aux États-Unis. Si le produit est installé dans une région où ne se trouve aucun réparateur autorisé GE, vous devrez peut-être assumer les frais de transport ou apporter l'appareil à un centre de service autorisé GE. En Alaska, cette garantie exclut le coût d'expédition ou de dépannage à votre domicile.

Certains états n'acceptent pas d'exclusion ou de limites aux dommages indirects consécutifs. Certains droits particuliers vous sont dévolus en vertu de la présente garantie et peuvent s'accompagner d'autres droits qui varient selon votre lieu de résidence. Pour connaître vos droits juridiques, veuillez consulter le bureau local ou le bureau d'état des affaires aux consommateurs ou le Procureur Général de votre état.

Garant : GE Appliances

Pour les clients au Canada : Cette garantie est étendue à l'acheteur d'origine et aux propriétaires suivants pour tout produit acheté aux Canada pour une utilisation domestique aux Canada. Le service à domicile en vertu de la garantie sera fourni dans les régions où il est disponible et où Mabe estime raisonnable de le fournir.

Garant Canada : MC Commercial, Burlington, Ontario, L7R 5B6

Soutien au consommateur

Site Web de GE Appliances

Vous avez une question ou vous avez besoin d'aide pour votre appareil électroménager? Visitez le site Web de GE Appliances 24 heures par jour, tous les jours de l'année! Vous pouvez aussi y trouver d'autres formidables produits GE Appliances et tirer avantage de tous nos services d'assistance en ligne. Aux États-Unis : **GEAppliances.com**
Au Canada : **GEAppliances.ca**

Enregistrez votre électroménager

Enregistrez votre nouvel appareil en ligne au moment qui vous convient le mieux! L'enregistrement de votre produit dans les délais prescrits permet une meilleure communication et un service rapide, selon les modalités de votre garantie, si besoin est. Vous pouvez également envoyer par courrier la carte d'enregistrement pré-imprimée qui se trouve dans l'emballage de votre appareil.

Aux États-Unis : **GEAppliances.com/register**

Au Canada : **Prodsupport.mabe.ca/crm/Products/ProductRegistration.aspx**

Service de réparation

Un service de réparation expert GE Appliances se trouve à quelques pas de chez vous. Rendez-vous sur notre site et programmez, à votre convenance, une visite de réparation à n'importe quel jour de l'année.

Aux États-Unis : **GEAppliances.com/ge/service-and-support/service.htm** ou composez le 800.432.2737 durant les heures normales de bureau.

Au Canada : **GEAppliances.ca/en/support/service-request** ou composez le 800.561.3344

Prolongation de garantie

Procurez-vous une prolongation de garantie GE Appliances et informez-vous des rabais spéciaux en vigueur pendant la durée de votre garantie. Vous pouvez vous la procurer en ligne en tout temps. Les services GE Appliances seront toujours disponibles après l'expiration de la garantie. Aux États-Unis :

GEAppliances.com/ge/service-and-support/shop-for-extended-service-plans.htm ou composez le 800.626.2224 durant les heures normales de bureau.

Au Canada : **GEAppliances.ca/en/support/purchase-extended-warranty** ou composez le 800.290.9029

Pièces et accessoires

Les personnes ayant les compétences requises pour réparer elles-mêmes leurs appareils peuvent recevoir directement à la maison des pièces ou accessoires (les cartes VISA, MasterCard et Discover sont acceptées). Commandez en ligne 24 heures par jour.

Aux États-Unis : **GEApplianceparts.com** ou par téléphone au 877.959.8688 durant les heures normales de bureau.

Les instructions contenues dans le présent manuel comportent des procédures que tout utilisateur peut effectuer. Les autres types de réparation doivent généralement être confiés à un technicien qualifié. Utilisez de prudence : une réparation ou un entretien mal effectués peuvent rendre l'utilisation de l'appareil dangereuse.

Les consommateurs au Canada doivent consulter les pages jaunes pour connaître le centre de service Mabe le plus proche, visiter notre site Web au **GEAppliances.ca/en/products/parts-filters-accessories** ou composer le 1.800.661.1616.

Communiquez avec nous

Si vous n'êtes pas satisfait du service après-vente de GE Appliances, communiquez avec nous depuis notre site Web en fournissant tous les détails dont votre numéro de téléphone, ou écrivez à :

Aux États-Unis : General Manager, Customer Relations | GE Appliances, Appliance Park | Louisville, KY 40225

GEAppliances.com/ge/service-and-support/contact.htm

Au Canada : Director, Consumer Relations, Mabe Canada Inc. | Suite 310, 1 Factory Lane | Moncton, N.B. E1C 9M3

GEAppliances.ca/en/contact-us



FREEZERS VERTICALES

INFORMACIÓN DE SEGURIDAD 3

INSTRUCCIONES DE OPERACIÓN
 Control de Temperatura5
 Características7

CUIDADO Y LIMPIEZA9

INSTRUCCIONES DE INSTALACIÓN
 Cómo poner el congelador
 en funcionamiento12

SOLUCIONAR PROBLEMAS13

GARANTÍA15

SERVICIO AL CONSUMIDOR ...16

MANUAL DEL PROPIETARIO E INSTALACIÓN

Vertical—Modelos con sistema No-Frost (no producen escarcha): FUF14, FUF17, FUF21

Escriba los números de modelo y de serie aquí:

Número de modelo : _____

Número de serie: _____

Puede encontrarlos en una placa en la pared superior izquierda dentro del congelador.

GRACIAS POR HACER QUE GE APPLIANCES SEA PARTE DE SU HOGAR.

Ya sea que haya crecido usando GE Appliances, o que ésta es su primera vez, nos complace tenerlo en la familia.

Sentimos orgullo por el nivel de arte, innovación y diseño de cada uno de los electrodomésticos de GE Appliances, y creemos que usted también. Entre otras cosas, el registro de su electrodoméstico asegura que podamos entregarle información importante del producto y detalles de la garantía cuando los necesite.

Registre su electrodoméstico GE ahora a través de Internet. Sitios Web y números telefónicos útiles están disponibles en la sección de Soporte para el Consumidor de este Manual del Propietario.

También puede enviar una carta en la tarjeta de inscripción preimpresa que se incluye con el material embalado.



GE APPLIANCES

INFORMACIÓN IMPORTANTE DE SEGURIDAD LEA TODAS LAS INSTRUCCIONES ANTES DE USAR

⚠ ADVERTENCIA

A fin de reducir el riesgo de incendio, explosión, descargas eléctricas o lesiones al usar su congelador vertical, siga estas precauciones básicas de seguridad:

- Este freezer se deberá instalar y ubicar adecuadamente de acuerdo con las Instrucciones de Instalación antes de ser usado.
- Reemplace todas las piezas y paneles antes del uso.
- No guarde ni use gasolina u otros vapores inflamables y líquidos cerca de este u otros electrodomésticos.
- Debido a los posibles riesgos sobre la seguridad bajo ciertas condiciones, recomendamos enfáticamente no usar prolongadores. Sin embargo, si se debe usar un prolongador, es absolutamente necesario que sea un prolongador para electrodoméstico de la lista UL (en Estados Unidos) o uno certificado por CSA (en Canadá), de 3 cables con conexión a tierra, que cuente con un enchufe con conexión a tierra y un tomacorriente con una graduación eléctrica del cable de 15 amperes (mínimo) y 120 volts.
- A fin de evitar riesgos de que los niños sufran asfixia o queden atrapados, retire las puertas de cualquier freezer antes de deshacerse o dejar de usar el mismo.
- No permita que los niños se trepen, paren o cuelguen de las manijas de la puerta o de los estantes del freezer. Podrían sufrir lesiones graves.
- Desenchufe el freezer:
 - Para desconectar el cable de corriente del freezer. No puede ser apagado a través de ninguna configuración del panel de control.
 - Para limpiar, reemplazar una lámpara quemada, o hacer reparaciones.

NOTA: Las reparaciones deberán ser realizadas por un Profesional del Servicio Técnico calificado.

ADVERTENCIAS DE LA PROPOSICIÓN 65 DEL ESTADO DE CALIFORNIA:

⚠ ADVERTENCIA

Este producto contiene uno o más químicos que el Estado de California entiende que producen cáncer, defectos en el nacimiento u otros daños reproductivos.

⚠ PRECAUCIÓN

Para reducir el riesgo de lesiones al usar el freezer, siga estas precauciones básicas.

- No limpie estantes de vidrio ni tapas con agua caliente cuando estén fríos. Los estantes de vidrio y las tapas se pueden romper si son expuestos a cambios de temperatura repentinos o impactos, tales como sacudones o caídas. El vidrio templado está diseñado para destruirse en pequeñas piezas en caso de rotura.
- Mantenga los dedos fuera de los espacios de "riesgo de lastimaduras"; los despejes entre las puertas y entre las puertas y el gabinete son necesariamente pequeños. Tenga el cuidado de cerrar las puertas cuando los niños se encuentren en el área.
- No toque las superficies frías del compartimiento del freezer cuando las manos estén húmedas o mojadas, ya que la piel se podrá adherir a estas superficies extremadamente frías.
- No vuelva a congelar comidas que hayan estado totalmente congeladas en forma previa.

INSTALACIÓN

⚠ ADVERTENCIA



RIESGO DE EXPLOSIÓN

Mantenga cualquier material y vapores inflamables, tales como gasolina, alejados del freezer. Si no se cumple con esto se podrá producir una explosión, incendio o la muerte.

LEA Y GUARDE ESTAS INSTRUCCIONES

INFORMACIÓN IMPORTANTE DE SEGURIDAD LEA TODAS LAS INSTRUCCIONES ANTES DE USAR

CONEXIÓN DE LA ELECTRICIDAD

⚠️ ADVERTENCIA



RIESGO DE DESCARGA ELÉCTRICA

Enchufe en un tomacorriente con conexión a tierra de 3 cables.

No elimine el cable de conexión a tierra.

No use un adaptador.

Si no se siguen estas instrucciones se podrá producir la muerte, incendios o descargas eléctricas.

Nunca, bajo ninguna circunstancia, corte o elimine el tercer cable (tierra) del cable de corriente.

Para su seguridad personal, este electrodoméstico debe estar adecuadamente conectado a tierra.

El cable de corriente de este electrodoméstico cuenta con un enchufe de 3 cables (conexión a tierra) que se conecta a un tomacorriente de pared estándar de 3 cables (conexión a tierra) para minimizar la posibilidad de riesgos de descargas eléctricas por parte del mismo.

Contrate a un electricista calificado para que controle el tomacorriente y el circuito eléctrico, a fin de asegurar que el enchufe esté correctamente conectado a tierra.

En caso de contar con un tomacorriente de pared de 2 cables, es su responsabilidad y obligación reemplazarlo por un tomacorriente de pared de 3 cables correctamente conectado a tierra. No use un adaptador.

El freezer deberá estar siempre conectado a un enchufe específico con un índice de voltaje equivalente al que figura en la placa de calificación.

Se requiere un suministro eléctrico con fusible y conexión a tierra de 115 voltios de CA, 60 Hz, 15 o 20 amperes. Esto garantiza el mejor funcionamiento y además previene la sobrecarga de los circuitos del hogar, lo cual podría ocasionar riesgos de incendio debido al recalentamiento de cables.

Nunca desenchufe el congelador tirando del cable de corriente. Siempre tome su enchufe firmemente y empuje el mismo hacia fuera para retirarlo.

Repáre o reemplace de inmediato todos los cables de corriente pelados o con cualquier tipo de daño. No use un cable con cortaduras o abrasión sobre su extensión o extremos.

Al alejar el freezer de la pared, se deberá tener cuidado de que no ruede sobre ni dañe el cable de corriente.

FORMA ADECUADA DE DESCARTAR SU ANTIGÜO APARATO

⚠️ ADVERTENCIA

RIESGO DE QUE LOS NIÑOS SUFRAN ASFIXIA O Y QUEDEN ATRAPADOS

Retire las puertas del freezer antes de descartar el mismo. Si esto no se realiza, los niños podrán quedar atrapados y ocasionar la muerte o daño cerebral.

IMPORTANTE: Que un niño quede atrapado o que sufra una asfixia no son problemas del pasado. Los accesorios antiguos o abandonados aún son peligrosos, incluso aunque se conserven por "sólo unos pocos días". Si se deshará de su antiguo accesorios, siga las siguientes instrucciones a fin de evitar accidentes.

Antes de Descartar su Antiguo Freezer:

- Retire las puertas de freezer.
- Deje los estantes en su lugar de modo que los niños no puedan trepar dentro con facilidad.

Refrigerantes

Todos los productos de refrigeración cuentan con refrigerantes, que de acuerdo con la ley federal deberán ser eliminados antes de descartar el producto. Si se deshará de un producto de refrigeración antiguo, consulte a la compañía a cargo sobre cómo deshacerse del mismo.

LEA Y GUARDE ESTAS INSTRUCCIONES

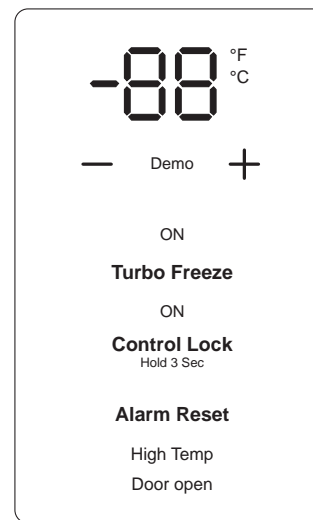
Control de temperatura

Para un almacenamiento de alimentos seguro, deje pasar 4 horas hasta que el congelador se enfríe por completo. El congelador funcionará en forma constante durante las primeras horas. Los alimentos que se encuentren congelados pueden colocarse en el congelador después de las primeras horas de funcionamiento. Los alimentos que no se encuentren congelados NO deben colocarse en el congelador hasta que éste haya funcionado durante 4 horas. Deje pasar varias horas después de cada ajuste de un paso para que la temperatura del congelador se estabilice.

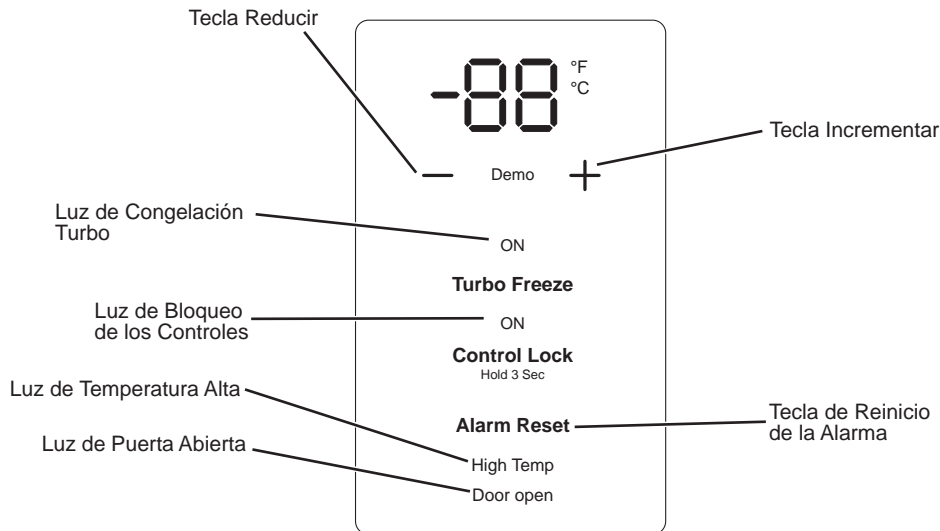
Cuando cargue el congelador, congele sólo 3 libras de alimentos frescos por pie cúbico de espacio por vez. Distribuya los paquetes uniformemente en todo el congelador. No es necesario girar la perilla de control a una configuración más fría mientras se congelan los alimentos.

Encendido del Freezer por Control Electrónico

1. Si lo desea, limpie la parte interna del freezer con una solución suave de bicarbonato de sodio y agua (consulte la sección de Cuidado y Limpieza).
2. Conecte el cable al tomacorriente. La pantalla de 7 segmentos se encenderá y titilará con la temperatura configurada por omisión de 0°F, y la Alarma de "Temperatura Alta" será exhibida en el control de temperatura electrónico a través de una advertencia sonora. Presionar "Alarm Reset" (Reinicio de Alarma) en el control silenciará la alarma, y detendrá el parpadeo, pero la luz LED "High Temp" (Temperatura Alta) permanecerá encendida hasta que su freezer alcance una temperatura de almacenamiento segura.
3. Presione "-" o "+" para alcanzar la temperatura deseada.
4. Presione los botones "+" y "-" al mismo tiempo durante 3 segundos para cambiar la unidad de temperatura en pantalla entre °F y °C.
5. Deje que el freezer funcione durante por lo menos cuatro horas antes de colocar comida en éste.



Control de Temperatura



Este control de temperatura electrónico está ubicado en el frente de la puerta del freezer. La temperatura está preconfigurada de fábrica, a fin de brindar temperaturas satisfactorias de almacenamiento de comidas. Para ajustar la configuración de temperatura, presione **-** para reducir las temperaturas y **+** para incrementar las mismas. Espere varias horas hasta que la temperatura se estabilice entre ajustes.

Alarma de Temperatura Alta

Este control electrónico cuenta con una función de alarma de temperatura alta. Una alarma sonará si la temperatura del freezer es alta. Para silenciar la alarma, presione **Alarm Reset** (Reiniciar la Alarma) en el panel de control.

El mensaje **High Temp** (Temperatura Alta) continuará siendo exhibido en el panel de control, hasta que la temperatura configurada haya sido restablecida. La alarma sonará nuevamente si la temperatura no es restablecida y permanece alta dentro de las siguientes seis horas.

Congelación Turbo

Para activar **Turbo Freeze** (Congelación Turbo), presione dicha función hasta que la luz de **Turbo Freeze** (Congelación Turbo) se encienda. La unidad quedará en el modo **Turbo Freeze** (Congelación Turbo) durante 8 horas y la luz **ON** (Encendido) de **Turbo Freeze** (Congelación Turbo) permanecerá iluminada. Una vez completadas las 8 horas, **Turbo Freeze** (Congelación Turbo) se apagará de forma automática. La luz **ON** (Encendido) se apagará para mostrar que la función **Turbo Freeze** (Congelación Turbo) está apagada. Para salir de esta función antes del apagado automático luego de 8 horas, presione **Turbo Freeze** (Congelación Turbo) hasta que la luz **ON** (Encendido) de esta función esté apagada.

Bloqueo del Control

Para bloquear los controles, presione **Control Lock** (Bloqueo de los Controles) y mantenga presionado durante 3 segundos hasta que la luz **ON** (Encendido) de **Control Lock** (Bloqueo de los Controles) se encienda.

Para desbloquear, mantenga presionado **Control Lock** (Bloqueo de los Controles) durante 3 segundos. La luz **ON** (Encendido) de **Control Lock** (Bloqueo de los Controles) se apagará y el panel de control se desbloqueará. La configuración de los controles no puede ser modificada cuando el control está bloqueado.

Falla de la Corriente

Si un corte de corriente hizo que la temperatura interna sea alta, la alarma de temperatura alta sonará y la pantalla de temperatura titilará. Presionar **Alarm Reset** (Reiniciar la Alarma) en el control silenciará la alarma y detendrá el parpadeo, pero la luz LED **High Temp** (Temperatura Alta) permanecerá encendida hasta que su freezer alcance una temperatura de almacenamiento segura.

Si la temperatura interna fue restablecida antes de que presionara **Alarm Reset** (Reinicio de la Alarma), la alarma sonora se detendrá por sí sola, y la luz LED **High Temp** (Temperatura Alta) se apagará de inmediato. La pantalla de temperatura continuará titilando para recordarle que anteriormente se produjo un corte de corriente. Presione **Alarm Reset** (Reiniciar la Alarma) para detener el parpadeo.

Alarma de Puerta Abierta

Si la puerta fue dejada abierta durante más de 2 minutos, el panel de control exhibirá **Door Open** (Puerta Abierta) y sonará una alarma hasta que la puerta haya sido cerrada o que la función **Door Open** (Puerta Abierta) sea activada en el panel de control. Si se activó **Door Open** (Puerta Abierta) pero la puerta no fue cerrada, **Door Open** (Puerta Abierta) continuará siendo exhibido en el panel de control hasta que la puerta haya sido cerrada. Si 10 minutos después de que la función **Door Open** (Puerta Abierta) fue activada, la puerta aún está abierta, la alarma de puerta abierta sonará nuevamente.

Luz de Temperatura Alta

La luz de temperatura alta se iluminará hasta que el freezer alcance -5°C (23°F) (zona de seguridad) y el gabinete alcance la temperatura configurada.

Configuración en °C o °F

Para realizar cambios entre **°C** y **°F**, mantenga presionadas las teclas **-** y **+** al mismo tiempo durante 3 segundos.

Control de Estado Inactivo

Las configuraciones de control se muestran en condiciones normales. Mantenga presionados **Control Lock** (Bloqueo de los Controles) y **Turbo Freeze** (Congelación Turbo) durante 3 segundos. El control electrónico entrará en **Dormant Mode** (Modo de Estado Inactivo) y no mostrará las configuraciones del control. Las configuraciones del control serán exhibidas durante 30 segundos si uno de los botones del control es presionado o la puerta es abierta mientras se encuentra en **Dormant Mode** (Modo de Estado Inactivo). Mantener presionados **Control Lock** (Bloqueo de los Controles) y **Turbo Freeze** (Congelación Turbo) nuevamente durante 3 segundos hará que se desactive **Dormant Mode** (Modo de Estado Inactivo).

Características

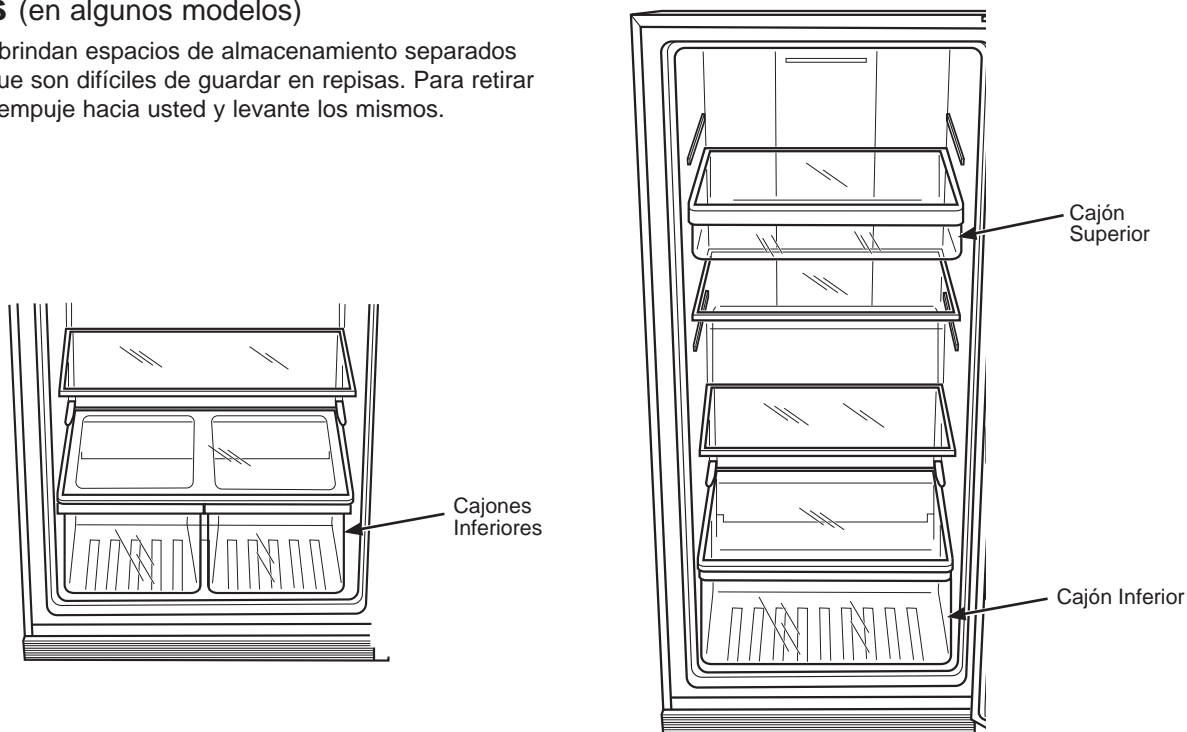
Cierre de llave a presión

La llave para el cierre accionado por resorte se eyecta automáticamente; la llave no permanecerá en el cierre ni en la posición abierta ni cerrada.

Mantenga la llave fuera del alcance de los niños y lejos del congelador.

Cajones (en algunos modelos)

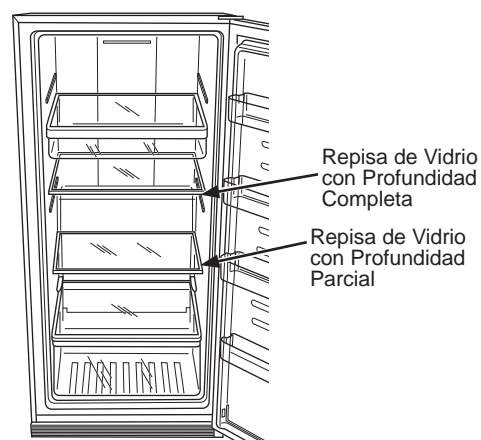
Los cajones brindan espacios de almacenamiento separados para ítems que son difíciles de guardar en repisas. Para retirar los cajones, empuje hacia usted y levante los mismos.



Repisas de Vidrio Ajustables

Las repisas de vidrio son ajustables; algunas poseen profundidad completa y otras profundidad parcial.

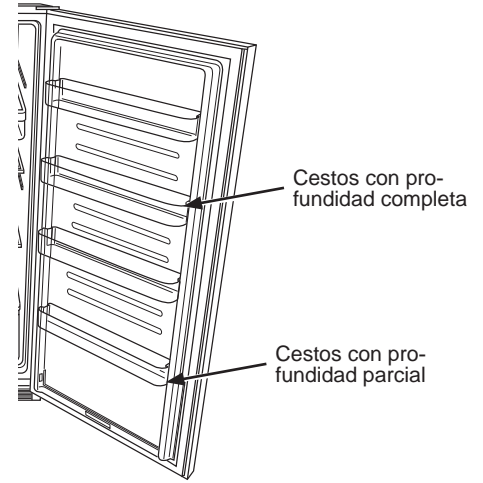
La repisa de vidrio con profundidad completa deberá ser instalada en una posición más alta donde la unidad posee mayor profundidad; y la repisa de vidrio con profundidad parcial deberá ser instalada en una posición inferior donde la unidad sea menos profunda.



Características

Despeje de los Cestos de la Puerta

La puerta cuenta con 3 cestos con profundidad completa y un cesto de la puerta posee profundidad parcial en la unidad. El cesto de la puerta con profundidad parcial deberá ser siempre instalado en la parte inferior.



Cuidado y limpieza

Limpieza de la Parte Interior

Para evitar olores, deje abierta una caja de bicarbonato de sodio en el congelador.

Desenchufe el congelador antes de limpiar. Si esto no resulta práctico, estruje el exceso de humedad para eliminarlo de la esponja o tela al limpiar alrededor de los interruptores, luces o controles. Use agua caliente y solución de bicarbonato de sodio — aproximadamente una cuchara sopera (15 ml.) de bicarbonato de sodio para un cuarto de galón (1 litro) de agua. Esto limpia y neutraliza los olores. Enjuague y seque.

⚠ PRECAUCIÓN

No limpie estantes de vidrio con agua caliente cuando estén fríos. Los estantes de vidrio se pueden romper si son expuestos a cambios de temperatura repentinos o impactos tales como sacudones o caídas. El vidrio templado está diseñado para destruirse en pequeñas piezas en caso de rotura.

No lave ninguna parte plástica del freezer en el lavavajillas.

No limpie con productos que contengan detergente, lejía o amoníaco. Pueden dañar el congelador.

Después de limpiar los empaques de la puerta, aplique una capa delgada de vaselina en los empaques de la puerta en el costado de la bisagra. Esto ayuda a evitar que los empaques se peguen y se doblen hasta perder su forma.

Limpieza de la Parte Externa

Manijas y Bordes de la Puerta Limpie con una tela humedecida con agua y jabón. Seque con una tela seca.

Mantenga limpia la parte externa. Limpie con una tela limpia que esté ligeramente humedecida con cera para utensilios de cocina o detergente líquido suave. Seque y pula con una tela limpia y suave. No limpie el freezer con una tela sucia para platos o una toalla mojada. Estos podrán dejar residuos que ocasionen corrosión sobre la pintura. No use estropajos, limpiadores en polvo, blanqueadores o limpiadores que contengan blanqueador, ya que estos productos pueden rayar y debilitar la terminación de la pintura.

Sin descongelamiento

Nunca es necesario descongelar un congelador No-Frost nuevo. Este tipo de congelador tiene una configuración anterior de fábrica para descongelarse automáticamente.

Durante el descongelamiento, es posible advertir un ruido suave al abrir la puerta en el momento en que el congelador está en el ciclo de descongelamiento automático.

Cuidado y limpieza

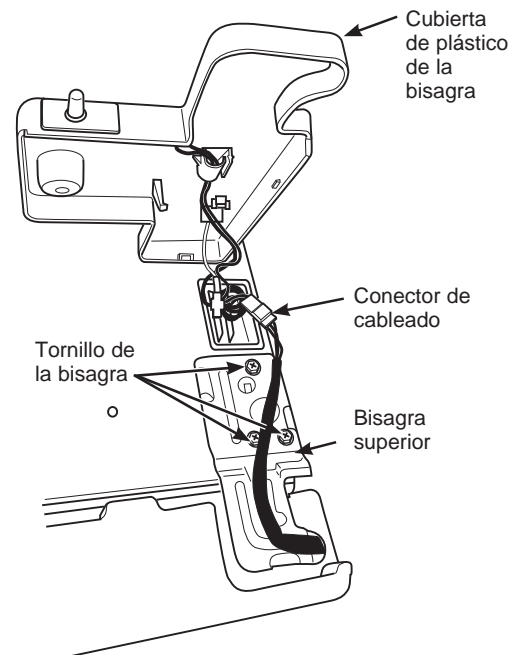
Para Retirar la Puerta del Freezer

1. Retire la tapa plástica de la bisagra retirando un tornillo; desconecte el conector del cable y retire el termistor de ambiente de la tapa de la bisagra, y luego levante la misma.
2. Retire los tornillos sosteniendo la bisagra en la parte superior del gabinete, usando un destornillador Phillips o un destornillador hueco de 5/16". Tenga cuidado de no dañar los cables circundantes.
3. Retire la bisagra superior del gabinete y levante la puerta hacia arriba y afuera de la clavija de la bisagra inferior. Deje la puerta a un costado.
4. Retire los tornillos desde la bisagra inferior.

Para reemplazar las puertas, invierta el orden de las instrucciones anteriores.

AVISO: Es muy importante que todos los tornillos de las bisagras estén ajustados de forma segura, a fin de realizar un ensamble seguro y evitar deslices de las bisagras. No ajuste de forma excesiva los tornillos de las bisagras. Ajuste los mismos hasta que queden seguros, y luego dé a estos otro medio giro.

NOTA: El giro de la puerta no es reversible.



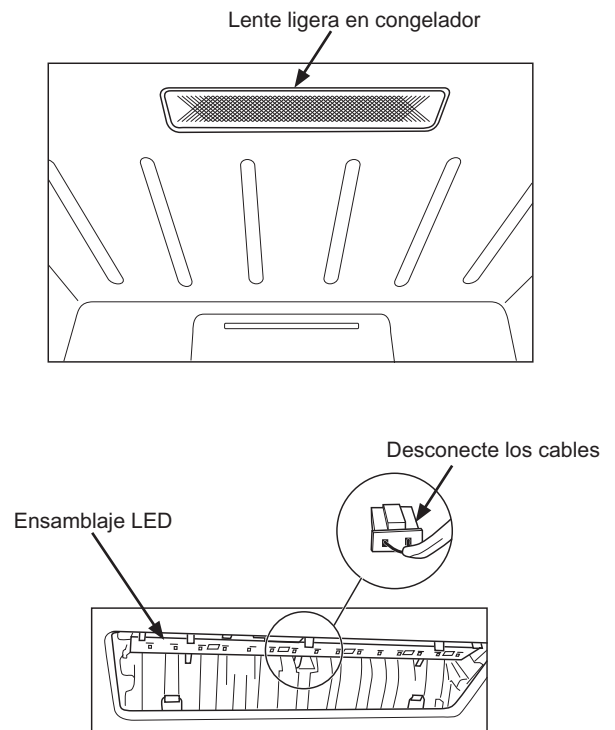
Reemplazo de la Luz LED

La luz LED está ubicada detrás de un cristal de la luz en el techo de la sección del Freezer.

Para reemplazar la luz LED:

1. Retire la repisa superior (de ser necesario).
2. De forma suave, empuje las tres pestañas que se encuentran en el frente del cristal, libere el cristal de la línea de apoyo y empuje hacia usted para retirar el mismo.
3. Retire el ensamble del LED de las lengüetas de montaje.
4. De forma suave, retire las guías, y desconecte las mismas de la unidad.
5. Reemplace por un ensamble LED nuevo y vuelva a insertar el ensamble en las lengüetas de ajuste.
6. Reemplace el cristal de la luz deslizando las lengüetas de la parte trasera del cristal sobre las ranuras, y empuje hacia arriba el cristal hasta que las lengüetas de la parte frontal del cristal calcen en su posición.

Para ordenar el ensamble LED, comuníquese a GE Appliances al 800.GE.CARES (800.492.2737) durante el horario de atención comercial.



Cuidado y limpieza

En caso de interrupción prolongada del suministro eléctrico

- Mantenga la puerta del congelador cerrada. El congelador mantendrá los alimentos congelados durante 24 horas siempre que no permita el ingreso de aire cálido.
- Si el congelador no recibe energía durante 24 horas o más, agregue hielo seco. Deje el hielo en trozos grandes. Agregue más hielo según sea necesario.

⚠ PRECAUCIÓN

La manipulación de hielo seco puede causar congelamiento en las manos; se recomienda el uso de guantes o de otro tipo de protección.

- Si no es posible conseguir hielo seco, traslade los alimentos a un armario para alimentos congelados hasta que se restablezca el suministro eléctrico.

En caso de mudanza

Desconecte el enchufe de alimentación del tomacorriente de pared. Retire los alimentos, descongele (en los modelos con Descongelamiento manual) y limpie el congelador.

Asegure todos los elementos sueltos como parrilla de la base, entrepaños y recipientes pegándolos con cinta adhesiva en su lugar para evitar daños.

Asegúrese de que el freezer permanezca en la posición de parado durante la mudanza y en el vehículo. El freezer debe estar asegurado en el vehículo a fin de evitar movimientos. Proteja el exterior del congelador con una manta.

Preparación para vacaciones

Para mantener el congelador en funcionamiento durante las vacaciones, asegúrese de no desconectar el suministro eléctrico de su hogar. Para proteger de manera segura el contenido del congelador, puede solicitar a algún vecino que controle el suministro de energía y el funcionamiento del congelador cada 48 horas.

En caso de vacaciones o ausencias prolongadas, puede optar por trasladar los alimentos congelados a un armario de almacenamiento de manera temporal. Si deja el congelador vacío, desconecte el cable de alimentación del enchufe de pared. Para evitar la formación de olores, coloque una caja de bicarbonato de sodio vacía en el congelador y deje la puerta abierta.

Cuando el congelador no esté en funcionamiento, se lo puede dejar en una vivienda o habitación no calefaccionada sin dañar el gabinete ni el mecanismo.

Ahorre Dinero/ Ahorre Energía

- El congelador debe ubicarse en el área más fría de la habitación, lejos de aparatos que generen calor o conductos de calefacción, y alejado de la luz solar directa.
- Deje que los alimentos calientes se enfríen hasta temperatura ambiente antes de colocarlos en el congelador. Sobrecargar el congelador hace que el compresor deba funcionar durante más tiempo. Los alimentos que se congelan muy lentamente pueden perder sus cualidades o arruinarse.



- Asegúrese de envolver los alimentos en forma adecuada y seque los recipientes antes de colocarlos en el congelador. Esto reduce la acumulación de escarcha dentro del congelador.
- Los estantes del congelador no deben recubrirse con papel de aluminio, papel encerado o toallas de papel. El recubrimiento afecta la circulación de aire frío, reduciendo la eficiencia del congelador.
- Organice y etiquete los alimentos para reducir las veces en que se abre la puerta y las búsquedas prolongadas. Saque todos los elementos necesarios de una vez y cierre la puerta lo más rápido posible.

Instalación del Freezer

Ubicación del congelador

Deberá ubicar el congelador de forma conveniente para el uso diario, en una habitación seca y bien ventilada.

No instale el congelador donde la temperatura baje de los 0°F (-18°C) o supere los 110°F (43°C), ya que no mantendrá las temperaturas adecuadas.

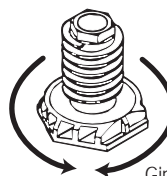
Asegúrese de instalar el congelador en un piso que sea lo suficientemente firme como para sostenerlo cuando esté completamente cargado.

Separaciones

En todos los modelos, deje 3" (76 mm) en la parte superior, detrás y a los costados para tener una circulación de aire apropiada.

Patas ajustables

Las patas de las esquinas delanteras del congelador deben colocarse de manera tal que el congelador quede posicionado con firmeza sobre el piso y el frente quede elevado lo suficiente como para que se pueda cerrar la puerta con facilidad cuando se entreabre la puerta.



Gire a la derecha para bajar

Gire a la izquierda para elevar

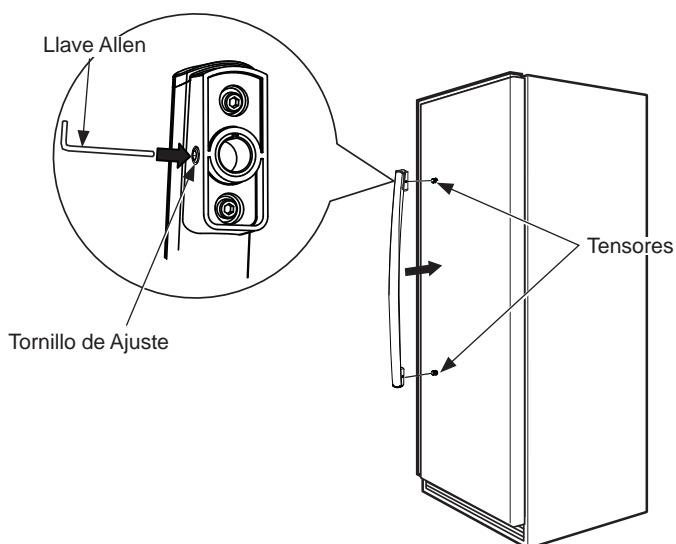
Cómo nivelar el congelador

Descarte los tornillos del cajón de embalaje y la base de madera. Utilice un nivel de carpintero para nivelar el congelador desde la parte trasera hacia la frontal. Ajuste las patas niveladoras frontales de plástico 1/2 burbuja más elevadas para que la puerta se cierre fácilmente cuando quede abierta.

Porte Contrôle

La forme de poignée peut varier sur votre modèle.

1. Alinee la manija con los tensores.
2. Presione la manija sobre los tensores hasta que la misma toque la puerta.
3. Use la llave Allen para girar el tornillo de ajuste en dirección de las agujas del reloj, a fin de ajustar la manija en la puerta.



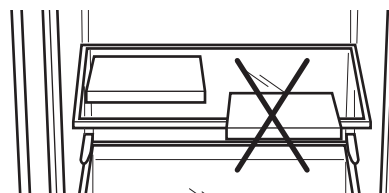
Llave Allen

Tornillo de Ajuste

Tensores

Carga de la unidad

AVISO: Para que la puerta cierre y se selle correctamente, NO permita que los paquetes de alimentos superen el límite frontal de los estantes.



Consejos para la Solución de Problemas... Antes de solicitar el servicio técnico

¡Ahorre tiempo y dinero! Revise las tablas en las siguientes páginas y tal vez no necesitará de solicitar un servicio.

Problema	Causas Posibles	Qué hacer
El congelador no funciona	El congelador está desenchufado.	Empuje la clavija completamente en el enchufe.
	Fusible fundido/interruptor de circuito roto.	Reemplace el fusible o reajuste el interruptor.
	La luz LED "Demo" está encendida y el Freezer está en modo Demo.	Presione "Alarm Reset" (Reiniciar la Alarma) primero, y luego presione "-" y "+" de inmediato mientras mantiene presionado "Control Lock" (Bloqueo de los Controles) al mismo tiempo durante 5 segundos y luego libere. La luz LED "Demo" se apagará.
El congelador arranca/ se detiene con demasiada frecuencia	Se dejó la puerta abierta.	Revise si hay un paquete que mantiene la puerta abierta.
	Abrir la puerta con mucha frecuencia o por mucho tiempo.	Abra la puerta con menos frecuencia.
	El control de temperatura está en un nivel demasiado frío.	Vea <i>Acerca de la operación del congelador</i> .
El congelador opera demasiado tiempo	Se dejó la puerta abierta.	Revise si hay un paquete que mantiene la puerta abierta.
	Abrir la puerta con mucha frecuencia o por mucho tiempo.	Abra la puerta con menos frecuencia.
	El control de temperatura está en un nivel demasiado frío.	Vea <i>Acerca de la operación del congelador</i> .
	El espacio para circulación de aire alrededor del gabinete no es adecuado.	Vea <i>Pasos previos a la instalación del congelador</i> .
	La temperatura en la habitación o en el exterior es elevada.	Es normal que el congelador funcione más intensamente con estas condiciones.
	El congelador se ha desconectado recientemente por un rato.	El congelador tarda 4 horas en enfriarse por completo.
	Se han guardado recientemente grandes cantidades de alimentos tibios o calientes.	Los alimentos tibios harán que el congelador funcione por más tiempo hasta alcanzar la temperatura deseada.
Funcionamiento ruidoso o el gabinete vibra	El piso posiblemente sea débil, lo que hace que el congelador vibre cuando funciona el compresor.	Asegúrese de que el freezer esté ubicado en un piso sólido y ajuste las patas niveladoras según sea necesario.
	El gabinete no está firme en el piso.	Ajuste las patas (en los modelos verticales). Vea <i>Pasos previos a la instalación del congelador</i> . O use cuñas si el piso no es uniforme.
	El congelador toca la pared.	Nivele el congelador o desplácelo un poco. Ver <i>Cómo Nivelar los congeladores</i> .
La temperatura del congelador es demasiado alta	Se dejó la puerta abierta.	Revise si hay un paquete que mantiene la puerta abierta.
	Abrir la puerta con mucha frecuencia o por mucho tiempo.	Abra la puerta con menos frecuencia.
	El control de temperatura se ha configurado a una temperatura muy elevada.	Cambie el control a una configuración más fría. Deje pasar unas horas para que la temperatura se estabilice.
	Se han guardado recientemente grandes cantidades de agua o alimentos calientes.	Espere hasta que el congelador haya alcanzado su temperatura seleccionada.
	El congelador se ha desconectado recientemente.	El congelador necesita 4 horas para enfriarse por completo.
Los alimentos se descongelan	El control de temperatura está en la posición OFF.	Mueva el control hasta un ajuste de temperatura.
	El congelador está desenchufado.	Empuje la clavija completamente en el enchufe.
	Fusible fundido/interruptor de circuito roto.	Reemplace el fusible o reajuste el interruptor.
	Se dejó la puerta abierta.	Revise si hay un paquete que mantiene la puerta abierta.
	Abrir la puerta con mucha frecuencia o por mucho tiempo.	Abra la puerta con menos frecuencia.
La temperatura del congelador es demasiado baja	El control de temperatura está en un nivel demasiado frío.	Vea <i>Acerca de la operación del congelador</i> .

Consejos para la Solución de Problemas... Antes de solicitar el servicio técnico

Problema	Causas Posibles	Qué hacer
Se forma humedad en la parte externa del gabinete	No es extraño durante períodos de alta humedad.	Seque la superficie con un paño suave.
	La puerta puede estar mal colocada, lo que provoca que el aire frío del interior del congelador se mezcle con el aire húmedo del exterior.	Vea <i>Preparaciones para instalar el congelador</i> .
La luz interior no funciona (en algunos modelos)	No hay corriente en el tomacorriente.	Reemplace el fusible o reajuste el interruptor.
	El congelador está desenchufado.	Empuje la clavija completamente en el enchufe.
	Bombilla quemada.	Reemplace la bombilla.
La puerta no se cierra completamente sola	Las patas niveladoras necesitan ajuste.	Vea <i>Pasos previos a la instalación del congelador</i> .
	Paquete mantiene la puerta abierta.	Mueva el paquete a una ubicación diferente.
Tiempo de arranque lento después de estar desconectado	Protección contra sobrecarga incorporada.	Esto es normal luego de ser apagado.
Acumulación excesiva de escarcha	Se dejó la puerta abierta.	Revise si hay un paquete que mantiene la puerta abierta.
	Abrir la puerta con mucha frecuencia o por mucho tiempo.	Abra la puerta con menos frecuencia.
	No es extraño durante períodos de alta humedad.	Seque la superficie.
La temperatura de la superficie externa del congelador es elevada	Las paredes externas del congelador pueden alcanzar una temperatura de hasta 30°F mayor a la temperatura ambiente.	Esto es normal mientras el compresor funciona para transferir calor desde la parte interior del gabinete del congelador.
Niveles de sonido mayores cuando el congelador está encendido	Los congeladores modernos cuentan con una capacidad de almacenamiento mejorada y temperaturas más estables. Requieren un compresor de alta eficiencia.	Esto es normal. Cuando el nivel de ruido de alrededor es bajo, puede oírse el compresor mientras enfría el interior.
Niveles de sonido más altos cuando el compresor se enciende	El congelador funciona a presiones más altas durante el inicio del ciclo <i>ON</i> (encendido).	Esto es normal. El sonido bajará o desaparecerá mientras el congelador siga funcionando.
Ruidos de crujidos o chasquidos cuando se enciende el compresor	Las piezas de metal sufren expansión y contracción, como las tuberías de agua caliente.	Esto es normal. El sonido bajará o desaparecerá mientras el congelador siga funcionando.
Sonidos de borboteos o gorgoteos, como agua hirviendo	El refrigerante (utilizado para enfriar el congelador) se encuentra circulando por el sistema.	Esto es normal.
Se forma humedad en las paredes externas del congelador	El clima es caluroso y húmedo, lo que incrementa el nivel interno de acumulación de escarcha.	Esto es normal.
	La puerta puede estar mal colocada.	Vea <i>Preparaciones para instalar el congelador</i> .
	La puerta quedó abierta mucho tiempo o se abre muy frecuentemente.	No abra la puerta tan seguido.
Olores en el congelador	Debe limpiarse la parte interna.	Limpie el interior con una esponja, agua tibia y bicarbonato de sodio.
	Hay alimentos con olores fuertes dentro del congelador.	Cubra bien los alimentos.

Características de funcionamiento normales

- Gabinete exterior tibio a medida que el sistema de refrigeración transfiere calor desde el interior hacia el exterior a través de las paredes externas del gabinete.
- Sonido de motor compresor de alta eficiencia.
- En los modelos No-Frost, el sonido de agua que gotea a medida que se derrite del evaporador y fluye a la bandeja de drenaje durante el ciclo de descongelamiento.
- En los modelos No-Frost, el sonido del ventilador que hace circular aire en el interior del gabinete para mantener una temperatura constante en todo el interior.

Garantía del congelateur

GEAppliances.com

Todo el servicio de garantía es provisto por nuestros Centros de Servicio de Fabricación, o un técnico autorizado de Servicio al Cliente (Customer Care®). Para programar una visita del servicio técnico, visítenos en GEAppliances.com, o comuníquese al 800.GE.CARES (800.432.2737). Cuando llame para solicitar el servicio, tenga los números de serie y modelo disponibles.

Por el Período de:	GE Appliances Reemplazará
Un Año Desde la fecha de la compra original	Cualquier parte del congelateur que falle debido a un defecto en los materiales o la fabricación. Durante esta garantía limitada de un año , GE Appliances también proveerá, sin costo, todo el trabajo y el servicio relacionado con el reemplazo de la parte que presente defectos.

Qué No Cubrirá GE Appliances:

- Viajes del técnico del servicio a su hogar para enseñarle sobre cómo usar el producto.
- Instalación inadecuada, entrega o mantenimiento.
- Fallas del producto en caso de abuso, mal uso, o uso para propósitos diferentes al original o uso comercial.
- Pérdida de alimentos por mal estado.
- Daño causado después de la entrega.
- Reemplazo de fusibles de la casa o reinicio de disyuntores.
- Daños ocasionados sobre el producto por accidente, incendio, inundaciones o catástrofes naturales.
- Daños consecuentes o incidentales causados por posibles defectos de este producto.
- Producto no accesible para brindar el servicio requerido.

EXCLUSIÓN DE GARANTÍAS IMPLÍCITAS

Su única y exclusiva alternativa es la reparación del producto, como se indica en la Garantía Limitada. Las garantías implícitas, incluyendo garantías implícitas de comerciabilidad o conveniencia sobre un propósito particular, se limitan a un año o al período más corto permitido por la ley.

Esta garantía se extiende al comprador original y a cualquier dueño subsiguiente de productos comprados para uso hogareño dentro de EE.UU. Si el producto está en un área donde no se encuentra disponible un Proveedor Autorizado del Servicio Técnico de GE Appliances, usted será responsable por el costo de un viaje o se podrá requerir que traiga el producto a una ubicación del Servicio Técnico de GE Appliances Autorizado para recibir el servicio. En Alaska, la garantía excluye el costo de envío o llamadas del servicio a su hogar.

Algunos estados no permiten la exclusión o limitación de daños fortuitos o consecuentes. Esta garantía le da derechos legales específicos y es posible que tenga otros derechos legales que varían entre un estado y otro. Para conocer cuáles son sus derechos legales, consulte a la oficina de asuntos del consumidor local o estatal o al Fiscal de su estado.

Warrantor: GE Appliances

Abroche su recibo aquí. Para acceder al servicio técnico de acuerdo con la garantía deberá contar con la prueba de la fecha original de compra.

Soporte para el Consumidor

Sitio Web de GE Appliances

¿Desea realizar una consulta o necesita ayuda con su electrodoméstico? ¡Intente a través del Sitio Web de GE Appliances las 24 horas del día, cualquier día del año! Usted también puede comprar más electrodomésticos maravillosos de GE Appliances y aprovechar todos nuestros servicios de soporte a través de Internet, diseñados para su conveniencia.

En EE.UU.: GEAppliances.com

Registre su Electrodoméstico

¡Registre su electrodoméstico nuevo a través de Internet, según su conveniencia! Un registro puntual de su producto permitirá una mejor comunicación y un servicio más puntual de acuerdo con los términos de su garantía, en caso de surgir la necesidad. También puede enviar una carta en la tarjeta de inscripción preimpresa que se incluye con el material embalado.

En EE.UU.: GEAppliances.com/register

Servicio Programado

El servicio de reparación de expertos de GE Appliances está a sólo un paso de su puerta. Conéctese a través de Internet y programe su servicio a su conveniencia cualquier día del año. En EE.UU.: GEAppliances.com/ge/service-and-support/service.htm o comuníquese al 800.432.2737 durante el horario de atención comercial.

Garantías Extendidas

Adquiera una garantía extendida de GE Appliances y conozca los descuentos especiales que están disponibles mientras su garantía aún está vigente. La puede adquirir en cualquier momento a través de Internet. Los servicios de GE Appliances aún estarán allí cuando su garantía caduque.

En EE.UU.: GEAppliances.com/ge/service-and-support/shop-for-extended-service-plans.htm

o comuníquese al 800.626.2224 durante el horario de atención comercial.

Piezas y Accesorios

Aquellos individuos calificados para realizar el servicio técnico de sus propios electrodomésticos podrán solicitar el envío de piezas o accesorios directamente a sus hogares (se aceptan las tarjetas VISA, MasterCard y Discover). Ordene hoy a través de Internet durante las 24 horas, todos los días. En EE.UU.: GEApplianceparts.com o de forma telefónica al 877.959.8688 durante el horario de atención comercial.

Las instrucciones que figuran en este manual cubren los procedimientos que serán realizados por cualquier usuario. Otros servicios técnicos generalmente deben ser derivados a personal calificado del servicio. Se deberá tener cuidado, ya que una reparación indebida podrá hacer que el funcionamiento no sea seguro.

Contáctenos

Si no se encuentra satisfecho con el servicio que recibió de GE Appliances, comuníquese con nosotros a través de nuestro sitio Web con todos los detalles, incluyendo su número telefónico, o escriba a:

En EE.UU.: General Manager, Customer Relations | GE Appliances, Appliance Park | Louisville, KY 40225

GEAppliances.com/ge/service-and-support/contact.htm