



# Ice Machine

**Safety Instructions** .....2, 3  
 Remove Packaging ..... 4

**Operating Instructions**  
 Controls and Features .....4, 5  
 Starting the Ice Machine.....5  
 Care and Cleaning ..... 6-7

**Installation Instructions**  
 Grounding the Ice Machine .....8  
 Before You Begin.....8  
 Location and Preparation.....8, 9  
 Installing the Ice Machine ..... 10-16  
 Advanced Planning.....10  
 Accessories .....10  
 Installation Notes .....10  
 Dimensions .....11  
 Door Swing .....12  
 Installing the Door Panel..... 13, 14  
 Plumbing .....15  
 Installation.....15

**Troubleshooting Tips** .....16  
 Noise .....16

**Consumer Support**  
 Warranty .....17  
 Consumer Support .....18

**Owner's Manual and  
Installation Instructions**

UCC15

*Write the model and serial numbers here:*

*Model #* \_\_\_\_\_

*Serial #* \_\_\_\_\_

Find these numbers on a label on the top inner case liner of the unit toward the front.

# IMPORTANT SAFETY INFORMATION. READ ALL INSTRUCTIONS BEFORE USING.



*GE Appliances website*

For more information on your appliance operation, visit [www.GEAppliances.com](http://www.GEAppliances.com) or call 800.GECARES (800.432.2737). In Canada visit [GEAppliances.ca](http://GEAppliances.ca) or call 800.561.3344.

## ICE MACHINE SAFETY INFORMATION

**!** This is the safety alert symbol. This symbol alerts you to potential hazards that can kill or hurt you and others. All safety messages will follow the safety alert symbol and the word "DANGER", "WARNING", or "CAUTION". These words are defined as:

**! DANGER** Indicates a hazardous situation which, if not avoided, **will** result in death or serious injury.

**! WARNING** Indicates a hazardous situation which, if not avoided, **could** result in death or serious injury.

**! CAUTION** Indicates a hazardous situation which, if not avoided, **could** result in minor or moderate injury.

**! WARNING** To reduce the risk of fire, explosion, electric shock, or injury when using your ice machine follow these basic safety precautions:

■ This ice machine must be properly installed and located in accordance with the Installation Instructions before it is used.

■ Unplug the appliance before making repairs, replacing a light bulb, or cleaning.

Note: Power to the appliance cannot be disconnected by any setting on the control panel.

Note: Repairs must be performed by a qualified service professional.

■ Replace all parts and panels before operating.

■ Do not store or use gasoline or other flammable vapors and liquids in the vicinity of this or any other appliance.

■ Because of potential safety hazards under certain conditions, we strongly recommend against the use of an extension cord. However, if you must use an extension cord, it is absolutely necessary that it be a UL-listed (in

the United States) or a CSA certified (in Canada), 3-wire grounding type appliance extension cord having a grounding type plug and outlet and that the electrical rating of the cord be 15 amperes (minimum) and 120 volts.

■ To prevent suffocation and entrapment hazards to children, remove the door from any appliance before disposing of it or discontinuing its use.

■ Do not allow children to climb, stand or hang on the door handle of the appliance. They could seriously injure themselves.

■ Ice machine scale remover contains acids. Acids can cause burns. If concentrated cleaner comes in contact with skin, flush with water. If swallowed, do NOT induce vomiting. Give large amounts of water or milk. Call Physician immediately. Keep out of the reach of children.

## State of California Proposition 65 Warnings:

**! WARNING** This product contains one or more chemicals known to the State of California to cause cancer and birth defects or other reproductive harm.

**! CAUTION** To reduce the risk of injury when using your appliance, follow these basic safety precautions.

■ Keep fingers out of the "pinch point" areas; clearances between the doors and between the doors and cabinet are necessarily small. Be careful closing doors when children are in the area.

■ Avoid contact with the moving parts of the ejector mechanism, or with the heating element that releases the cubes. Do not place fingers or hands on the automatic ice making mechanism while the ice machine is plugged in.

## INSTALLATION

**! WARNING**  **Explosion Hazard.**

Keep flammable materials and vapors, such as gasoline, away from appliance. Failure to do so can result in fire, explosion, or death.

### OUTDOOR USE NOTICE:

**KEEP FROM FREEZING:** Severe damage will occur to the unit if left in or operated in temperatures beyond the limits listed in this manual. That damage is NOT covered by warranty.

**KEEP DRY:** Do not locate in low lying areas where puddles will accumulate.

**PROVIDE SHADE:** Heat gain from the sun will reduce the unit's ability to make and store ice, and ultraviolet radiation from the sun can potentially damage the unit's plastic components.

**WATER SUPPLY:** Avoid a long run of hose or tubing exposed to the sun. Plastic water supply tubing should be rated for

potable water and include UV protection. Copper tubing is recommended.

**BACK FLOW PREVENTION:** The unit includes back flow prevention, no additional check valve is required.

**DRAINAGE:** DO NOT drain into swimming pool or onto grounds.

**OPERATION:** It is normal for the ice level in the storage bin to be low when unit is used in temperatures below 65°F.

### CONNECTING ELECTRICITY

**⚠ WARNING**  **Electrical Shock Hazard.**

Plug into a grounded 3-prong outlet

Do not remove the ground prong

Do not use an adapter

Failure to follow these instructions can result in death, fire, or electrical shock.

**Do not, under any circumstances, cut or remove the third (ground) prong from the power cord. For personal safety, this appliance must be properly grounded.**

The power cord of this appliance is equipped with a 3-prong (grounding) plug which mates with a standard 3-prong (grounding) wall outlet to minimize the possibility of electric shock hazard from this appliance.

Have the wall outlet and circuit checked by a qualified electrician to make sure the outlet is properly grounded.

Where a standard 2-prong wall outlet is encountered, it is your personal responsibility and obligation to have it replaced with a properly grounded 3-prong wall outlet.

The ice maker should always be plugged into its own 115 volt, 60 Hz, 15 amp circuit. This provides the best

performance and also prevents overloading house wiring circuits which could cause a fire hazard from overheated wires.

Never unplug your ice maker by pulling on the power cord. Always grip plug firmly and pull straight out from the outlet.

Repair or replace immediately all power cords that have become frayed or otherwise damaged. Do not use a cord that shows cracks or abrasion damage along its length or at either end.

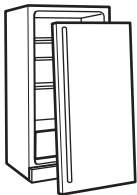
When moving the ice maker, be careful not to roll over or damage the power cord.

### PROPER DISPOSAL OF YOUR OLD APPLIANCE

**⚠ WARNING** **Suffocation and child entrapment hazard.**

Remove the door from the appliance prior to disposal. Failure to do so can result in child entrapment which can lead to death or brain damage.

**IMPORTANT:** Child entrapment and suffocation are not problems of the past. Junked or abandoned appliances are still dangerous even if they will sit for "just a few days." If you are getting rid of your old appliance, please follow the instructions below to help prevent accidents.



**Before You Throw Away Your Old Appliance:**

- Take off the doors.
- Leave the internal components in place so that children may not easily climb inside.

**Refrigerants**

All refrigeration products contain refrigerants, which under federal law must be removed prior to product disposal. If you are getting rid of an old refrigeration product, check with the company handling the disposal about what to do.

**READ AND FOLLOW THIS SAFETY INFORMATION CAREFULLY.**

**SAVE THESE INSTRUCTIONS**

## Remove packaging

---

**IMPORTANT:** Do not remove any permanent instruction labels inside your ice machine or the Tech Sheet that is fastened behind the lower access panel.

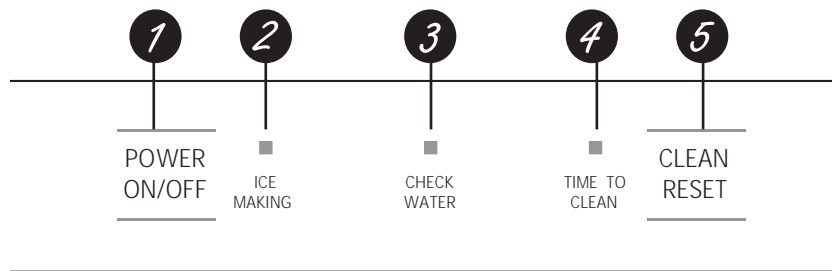
- Remove tape and any labels from your ice maker before using (except the model and serial number label).

To remove any remaining tape or glue, rub the area briskly with your thumb. Tape or glue residue can also be easily removed by rubbing a small amount of liquid dish soap over the adhesive with your fingers. Wipe with warm water and dry.

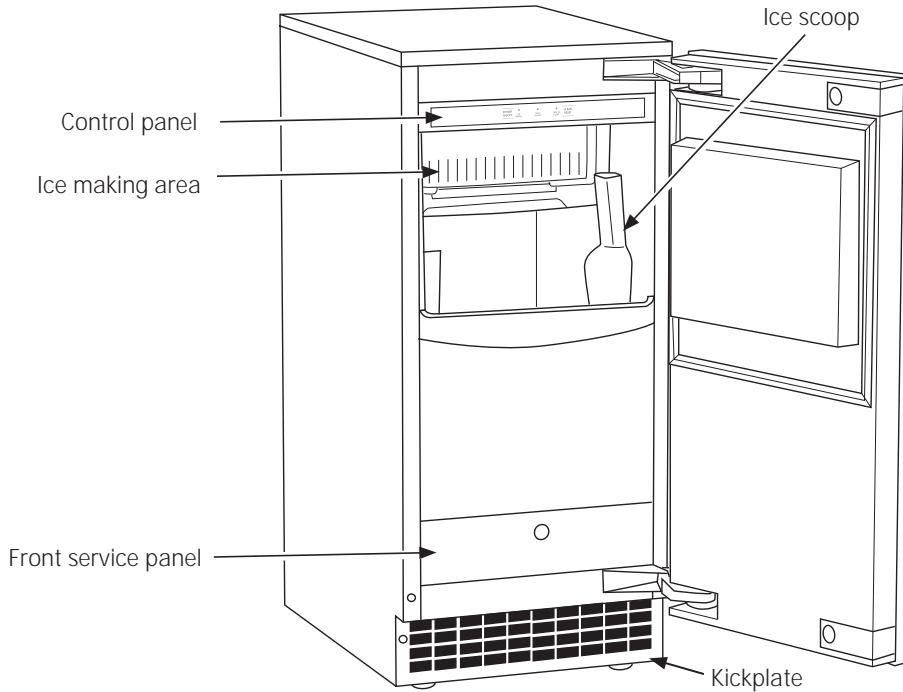
- Do not use sharp instruments, rubbing alcohol, flammable fluids or abrasive cleaners to remove tape or glue. These products can damage the surface of your ice maker. For more information, see *Important Safety Instructions*.

## About the controls and features.

---



- 1 POWER ON/OFF** - Press to turn the ice machine on or off.
- 2 ICE MAKING** - Glows white when the unit is ON.
- 3 CHECK WATER** - Glows red when there is not water supplied to the machine.
- 4 TIME TO CLEAN** - Glows yellow when it's time to clean the machine. The light will switch ON after 6 months of use. It will remain on until the ice making system is cleaned using the process in the *Care and cleaning* section.
- 5 CLEAN RESET** - Pressed with Power button for 5 seconds to start the cleaning process (see *Care and Cleaning*).

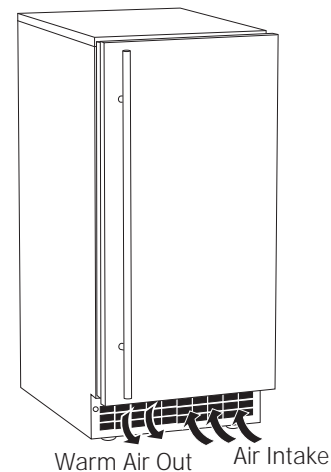


## Starting the ice machine.

This machine takes in room temperature air at the lower right front and forces warm air out the lower left front. Restricting the airflow or operating the machine in a hot or cold environment will adversely affect the ability of the ice machine to make ice.

When the door is opened, the control panel, ice making area and ice storage bin are visible. The scoop is located in a holder along the right side wall.

This is a gravity drain model that must have a building drain connection below the level of the drain tube at the back of the cabinet. A pump can be installed, which can force drain water up a maximum of 10 feet, allowing it to be located where a gravity drain isn't available. See *Accessories* on page 10 for more information on the drain pump.



### Initial Start Up

1. Turn on the water supply.
2. Switch on the electrical power.
3. Push and release the ON/OFF switch to start the machine. The ICE MAKING light next to the ON/OFF switch will glow white.
4. Water will begin to flow into the unit. When the reservoir is full, water will start to drain from the machine. After a few minutes the compressor, water pump and fan motor will begin to operate as the first ice making cycle begins.

No adjustments are needed.

In approximately 30 minutes, ice will fall into the ice storage bin. The machine makes 24 gourmet cubes at a time. It is normal for the first batches of ice to melt as the bin cools. It will take 8-10 hours of continuous run time to fill the ice bin. When the ice bin is full, the ice machine will shut off. It will automatically restart when the ice level falls, either from use or normal meltage.

Discard the first bin full of ice.

# Care and cleaning.

---

## Cleaning the Outside

The stainless steel door and door handle can be cleaned with a commercially available stainless steel cleaner. Cleaners with oxalic acid such as Bar Keepers Friend Soft Cleanser™ will remove surface rust, tarnish and small blemishes.

Use only a liquid cleanser free of grit and rub in the direction of the brush lines with a damp soft sponge. Do not use appliance wax or polish on the stainless steel.

---

## Cleaning the Ice Storage Bin

The ice storage bin should be sanitized occasionally. It is usually convenient to sanitize the bin after the ice making system has been cleaned and the bin is empty.

A sanitizing solution can be made of 1 oz of household bleach and 2 gallons of hot (95°F - 115°F) water. Use a clean cloth and wipe the interior of the ice storage bin with the sanitizing solution. Pour some of the solution down the drain.

Allow to air dry.

---

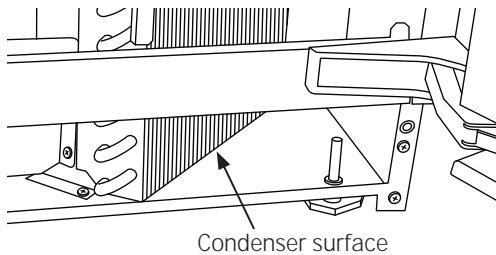
## Cleaning the Condenser

The condenser has fins and tubes that can become clogged with dirt and lint.

**NOTE:** Outdoor operation can lead to rapid buildup of debris, such as leaves and other vegetation. The condenser will need to be frequently checked for debris. Clean it whenever the fins are obstructed.

To clean:

1. Remove the kickplate and front service panel.
2. Locate the condenser surface.



3. Vacuum the surface to remove all dust, dirt, and lint.



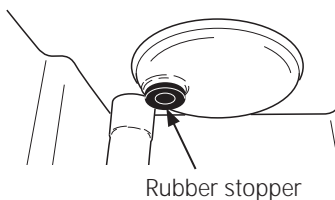
**Do not dent the fins.**

4. Return the kickplate and front service panel to their original positions. Fasten them to the cabinet using the original screws.

---

## Winterizing

1. Clean the ice making system per the instructions above.
2. Open the door. Push the **ON/OFF** button to turn the ice machine off.
3. Turn off the water supply.
4. Drain the water reservoir by removing the rubber stopper under the reservoir. It is located near the back wall of the ice storage bin.



5. Disconnect the incoming water line at the inlet water valve.
6. Open the door. Push the **ON/OFF** button to turn the ice machine on.
7. Blow air through the inlet water valve. A tire pump can be used.
8. Models with a drain pump installed should have about 1/2 gallon of RV antifreeze (propylene glycol) poured into the ice storage bin drain.

**NOTE:** Automotive antifreeze must NOT be used.

9. Turn off and unplug the machine.

## Removing Scale from the Ice Making System

The TIME TO CLEAN light will come on after 6 months of use. It will remain on until the ice making system has been cleaned.

You should use rubber gloves when using the scale remover. To order scale remover, go to [www.GEAppliances.com](http://www.GEAppliances.com) or call 800.GECARES (800.432.2737). In Canada visit [www.GEAppliances.ca](http://www.GEAppliances.ca) or call 800.561.3344. Order part number WX08X42873.

### WARNING

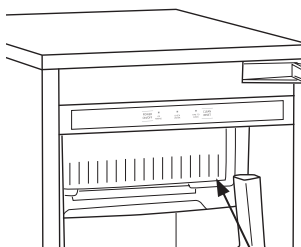


Ice machine scale remover contains acids. Acids can cause burns. If concentrated cleaner comes in contact with skin, flush with water. If swallowed, do NOT induce vomiting. Give large amounts of water or milk. Call Physician immediately. Keep out of the reach of children.

1. Scoop out all of the ice in the ice bin. Discard the ice or save it in an ice chest or cooler.
2. Press and hold the **ON/OFF** button for 3 seconds until the white light goes out.



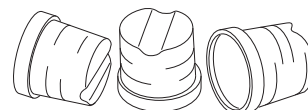
3. Press and hold both the **CLEAN-RESET** and **ON/OFF** buttons for 5 seconds. The **TIME TO CLEAN** light will blink on and off.
4. Pour 8 oz of ice machine scale remover into the ice machine reservoir.



Pour scale remover

5. Operate the machine for about 1/2 hour.
6. Push and release the **ON/OFF** switch. The machine will begin to flush out the cleaning solution.
7. Operate the machine for another 1/2 hour.
8. Push and release the **ON/OFF** switch. The machine will stop the cleaning process.
9. Pour a gallon of hot water into the bin to flush out the drain.
10. Clean the bin liner of mineral scale by mixing some ice machine scale remover and hot water, and using that solution to scrub the scale off of the liner.
11. Rinse the liner with hot water.
12. Sanitize the bin interior.
13. Replace the ice removed in step 1 if applicable.
14. Push and release the **ON/OFF** button to restart ice making.
15. The ice scoop should be washed regularly and is dishwasher safe.

Normal gourmet cubes are tapered cylinders. If the gourmet cubes are ragged and miss-shaped, mineral scale must be removed from the ice making system.



**Note:** The bin is insulated and not refrigerated so the ice form will change in the storage bin as it is normal for the ice to melt.

# Installation Instructions

# Ice Machine

Questions? Call 800.GE.CARES (800.432.2737) or visit our Website at: [GEAppliances.com](http://GEAppliances.com)  
In Canada, call 1.800.561.3344 or visit our Website at: [www.GEAppliances.ca](http://www.GEAppliances.ca)

## GROUNDING THE ICE MACHINE

### **WARNING** **Electrical Shock Hazard.**

Failure to follow these instructions can result in death, fire, or electrical shock.

The power cord of this appliance is equipped with a 3-prong (grounding) plug which mates with a standard 3-prong (grounding) wall outlet to minimize the possibility of electric shock hazard from this appliance.

Have the wall outlet and circuit checked by a qualified electrician to make sure the outlet is properly grounded.

Where a standard 2-prong wall outlet is encountered, it is your personal responsibility and obligation to have it replaced with a properly grounded 3-prong wall outlet.

**DO NOT, UNDER ANY CIRCUMSTANCES, CUT OR REMOVE THE THIRD (GROUND) PRONG FROM THE POWER CORD.**

**DO NOT USE AN ADAPTER PLUG TO CONNECT THE ICE MACHINE TO A 2-PRONG OUTLET.**

**DO NOT USE AN EXTENSION CORD WITH THIS APPLIANCE.**

## ICE MACHINE LOCATION AND PREPARATION

This ice machine is designed to be used indoors, in a controlled environment or outdoors within certain limits.

It is made up of two major systems: the ice making system and the ice storage system. The ice making system is a continuous flow that makes ice when the ice level becomes low and stops when it is full.

**IMPORTANT:** Never keep anything in the ice storage bin that is not ice. Objects like wine or beer bottles are not only unsanitary, but the labels can slip off and plug up the drain.

**IMPORTANT:** Never allow the machine to operate without regular cleaning. The machine will last longer if it is kept clean. Regular cleaning should happen at least once per year, and preferably twice. Some water conditions will dictate even more frequent cleaning of the ice making section, and some carpets or pets will dictate more frequent cleaning of the condenser.

### Specifications

The ice machine will operate adequately within the limits, but functions best in temperatures between 70°F and 80°F.

- Minimum air temperature: 50°F (10°C)
- Maximum air temperature: 100°F (38°C)
- Minimum water temperature: 40°F (4.5°C)
- Maximum water temperature: 100°F (38°C)
- Minimum water pressure: 20 psi (1.4 bar)
- Maximum water pressure: 80 psi (5.5 bar)

### Electrical voltage limits:

- Minimum - 104 volts
- Maximum - 126 volts

## BEFORE YOU BEGIN

Read these instructions completely and carefully.

- **IMPORTANT** – Observe all governing codes and ordinances. Save these instructions for local inspector's use.
- **Note to Installer** – Be sure to leave these instructions with the Consumer.
- **Note to Consumer** – Keep these instructions for future reference.
- **Skill level** – Installation of this appliance requires basic mechanical skills.
- **Completion time** – Installation can vary  
Water Line Installation 30 minutes
- Proper installation is the responsibility of the installer.
- Product failure due to improper installation is not covered under the Warranty.



# Installation Instructions

## ICE MACHINE LOCATION AND PREPARATION (Cont)

### Water Quality

All water, including potable water supplied by municipalities, contains some impurities or minerals. Water absorbs impurities from the air as rain and/or as it flows through the ground. Some of the impurities are solid particles. These are known as suspended solids, and a fine particle filter will remove them. Other impurities are chemically bonded to the water molecules and cannot be filtered out. These are called dissolved solids.

Ice made by this machine will have a lower mineral content than the water it was made from. This is due to the method of making ice. Purer water will freeze first in the ice making molds. The reason for this is that anything dissolved in water lowers the water's freezing temperature. This concentrates most of the impurities of the ice machine water reservoir where they may form hard deposits known as scale. The machine dilutes the concentration of minerals by over-filling the reservoir during the harvest cycle (with the excess water flowing down the drain). Water use varies with air and water temperatures. Between 2 and 4 pints of water flow into the unit each cycle. Between 1 and 3.5 pints of that rinses the reservoir and goes down the drain.

Some impurities will inevitably remain, and will stick to the parts in the machine. This will cause malformed ice cubes. Eventually, **built up mineral scale can shorten machine life.**

To keep the machine operating properly, these impurities or minerals will have to be regularly dissolved by an acid cleaner. Directions for this may be found in the Care and Cleaning section.

### Filters and Treatment

In general, it is always a good idea to filter the water. A proper water filter can remove taste and odors as well as particles. We recommend using a GE Appliances Water Filter on your water inlet line such as GE Appliances Model Number GXRLQ. Please go to [www.geappliances.com](http://www.geappliances.com) to review the installation instructions and determine which filter will suit your application. In Canada visit [www.GEAppliances.ca](http://www.GEAppliances.ca). Some other methods of water treatment for dissolved solids include reverse osmosis, and polyphosphate feeders.

### RO Water

This machine can be supplied with Reverse Osmosis water, but the water conductivity must be no less than 10 microSiemens/cm. A reverse osmosis system should include post treatment to satisfy the R.O. water's potential aggressiveness. Deionized water is not recommended.

Because water softeners exchange one mineral for another, softened water may not improve water conditions when used with ice machines. Where water is very hard, softened water could result in white, mushy cubes that stick together.

If in doubt about the water, contact a local point of use water specialist for recommendations on water treatment.

### Installation Overview

The ice machine must:

- be connected to cold, potable water
- be connected to a drain
- be connected to the proper power supply
- be able to circulate air through the vents at the front

**NOTE:** Do not build in so that the door is recessed.

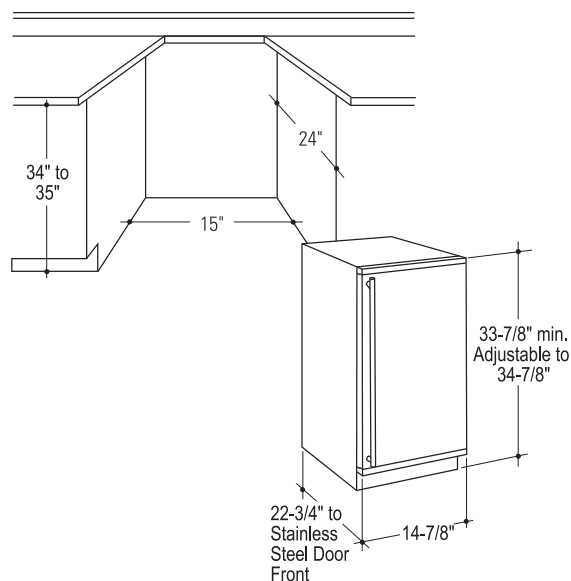
# Installation Instructions

## INSTALLING THE ICE MACHINE (Cont.)

### ADVANCE PLANNING

**⚠ CAUTION** Due to excessive weight, **TWO PEOPLE ARE REQUIRED TO MOVE AND INSTALL THIS Ice maker.** Failure to do so can result in back or other injury.

### CUTOUT & PRODUCT DIMENSIONS



### Installation Notes

**Built-In Installation:** If a finished floor is to be installed in the area after the ice machine has been built in, shims the expected thickness of the floor should be installed under the unit to keep the machine level with the planned floor level.

**NOTE:** The water connection is at the back and adds a few inches to the cabinet depth.

**Installation on a slab:** You will need to install a drain pump to the appliance and pump the water to the point of drainage. See **Accessories**. Pump models will pump 1 story (10 feet) high.

**Installation over a crawl space or basement:** Either a gravity drain or a pump may be used. For pump, see **Accessories**. If there is not enough room behind the machine for a drain/waste receptacle, the drain will have to be below the floor.

**NOTE:** When installed in a corner, the door swing may be limited due to handle contact with the wall or cabinet face.

A water supply is required. Water supplies vary in the degree of mineral content. High mineral content water will require more frequent maintenance. Water filtration may improve the taste of the ice as well as cut down on some of the mineral build up.

### ACCESSORIES

Finished stainless steel door panels with handles are available from GE Appliances for attachment to the ice machine. The panel kits are:

- ZIP80SS - Stainless steel door with Euro Style Handles
- PIP70SS - Stainless steel door with Profile Style Handles
- CIP75SS - Stainless steel door with Café Style Handles

To order, go to [www.GEApplianceParts.com](http://www.GEApplianceParts.com) or call 877-959-8688. In Canada visit [www.GEAppliances.ca](http://www.GEAppliances.ca) or call 800.561.3344.

**Kickplate Extension:** In some situations the leg levelers will be extended enough to become visible. A kit to extend the kickplate over the legs (WR02X25798) is available. To order, go to [www.GEApplianceParts.com](http://www.GEApplianceParts.com) or call 877-959-8688. In Canada visit [www.GEAppliances.ca](http://www.GEAppliances.ca) or call 800.561.3344.

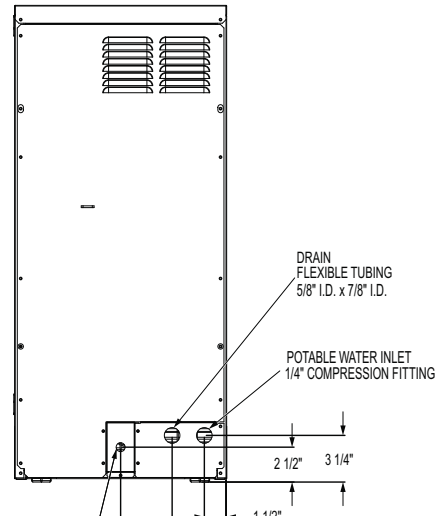
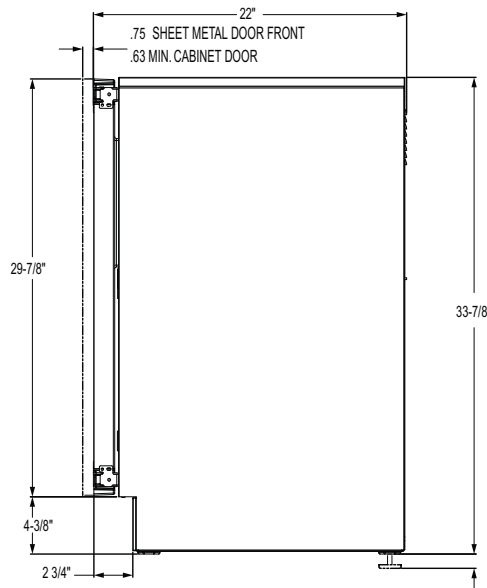
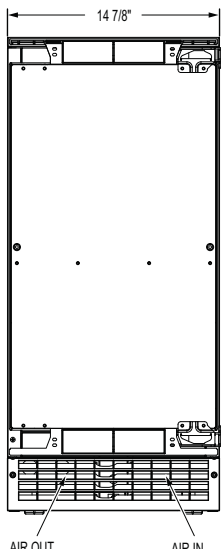
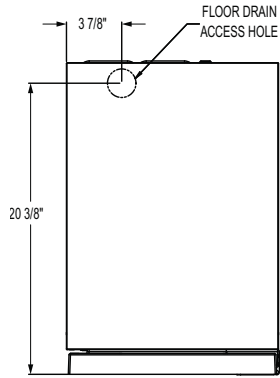
**Cabinet Stability:** In some free standing installations it may be prudent to add an anti-tip bracket that secures the back of the cabinet to a wall. That kit number is WR01X25709.

To order, go to [www.GEApplianceParts.com](http://www.GEApplianceParts.com) or call 877-959-8688. In Canada visit [www.GEAppliances.ca](http://www.GEAppliances.ca) or call 800.561.3344.

**Drain Conversion:** A gravity drain model can be converted to a drain pump model by installing a drain pump kit. The drain pump kit consists of a drain pump, wiring harness and associated tubing. The part number is UPK3. To order, go to [www.GEApplianceParts.com](http://www.GEApplianceParts.com) or call 877-959-8688. In Canada visit [www.GEAppliances.ca](http://www.GEAppliances.ca) or call 800.561.3344.

# Installation Instructions

## DIMENSIONS



# Installation Instructions

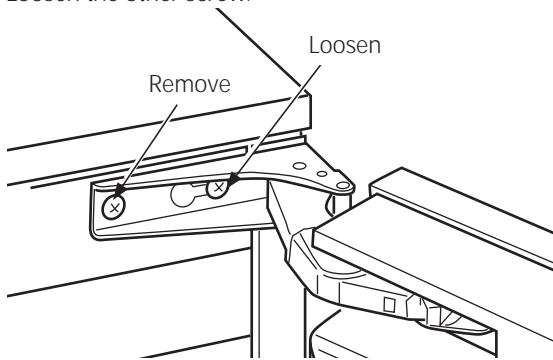
## INSTALLING THE ICE MACHINE (Cont.)

### DOOR SWING

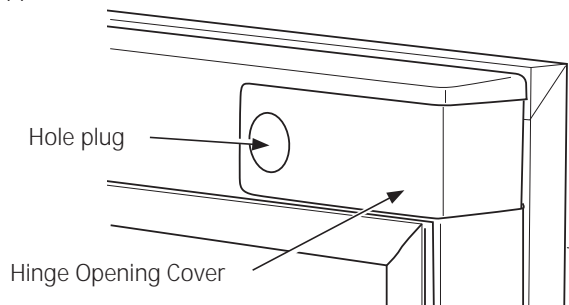
Moving the hinges allows the door to open from either the left or the right side. Change the swing **BEFORE** attaching the door panel.

To change:

1. Open the door. Remove 4 stainless steel screws opposite the hinge side on the front of the cabinet.
2. Remove innermost screw holding each hinge to the cabinet. Loosen the other screw.



3. Slide the door to the side so the keyhole on the hinge clears the screw and remove from cabinet.
4. Remove the screws that were loosened and save. Install the 4 stainless steel screws that were removed in Step 1 into the open holes on the cabinet left by removing the hinge.
5. Remove the hole plug and hinge opening covers from door (if applicable).



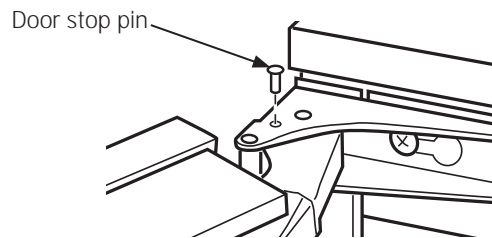
6. Remove hole plugs or screws from unit's new hinge locations (if applicable). Set aside.
7. Install the 2 hinge screws removed after the door was removed from the cabinet into the outermost holes on the new hinge side of the cabinet. Screw these in only about half way.

8. Remove the upper hinge from the door and move it to the door's opposite side, bottom location. Secure using the original screws.  
**NOTE:** If door panel is attached, it must be removed to access hinge screws and to reverse the handle position.

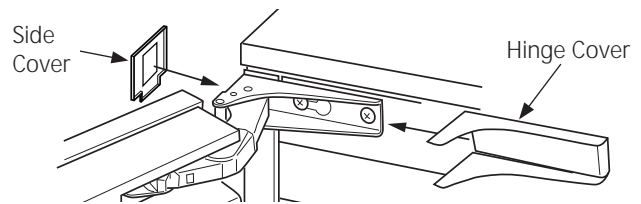
9. Remove the original lower door hinge and move it to the opposite side, upper location. Secure using original screws.  
**IMPORTANT:** If installing a stainless steel door panel or custom panel, skip to *INSTALLING THE DOOR PANEL* section.

10. Install pocket covers and hole plugs onto door.
11. Place the keyhole slot on the hinge over the outermost screw, top and bottom, and slide the door onto the cabinet.
12. Install the door to the cabinet using the original screws. Tighten all 4 screws.

**IMPORTANT:** In some situations the door can open too far and damage adjacent cabinets. To prevent this, insert a Stop Pin (in hardware packet) into the provided hole in the top and bottom hinges. Drive the pin into the hole until the head is flush with the hinge.



13. Slide the hinge covers from the hardware packet over each hinge.



14. Attach the side covers from the hardware packet over the hinge by peeling off the covering over the adhesive and placing it over the side of the hinge. **NOTE:** If the unit is being built-in a screw can be used to secure the unit to the cabinet in place of installing the side covers.

# Installation Instructions

## INSTALLING THE DOOR PANEL

The ice machine is supplied without a conventional door covering, allowing the attachment of a stainless steel door panel or a custom panel.

**NOTE:** If the door swing is to be changed, it needs to be done **BEFORE** attaching the door panel.

### Door Panel

Finished stainless steel door panels with handles are available from GE Appliances for attachment to the ice machine. See *Accessories* on page 10.

A custom panel of wood or other material not exceeding 15 lbs can be used and must follow these guidelines:

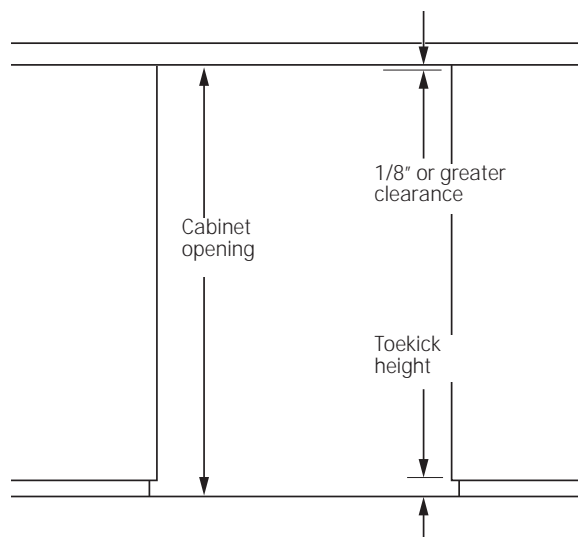
width:  $14\ 7/8"$

height: between  $29\ 5/8"$  and  $30\ 5/8"$

thickness:  $5/8"$  to  $3/4"$

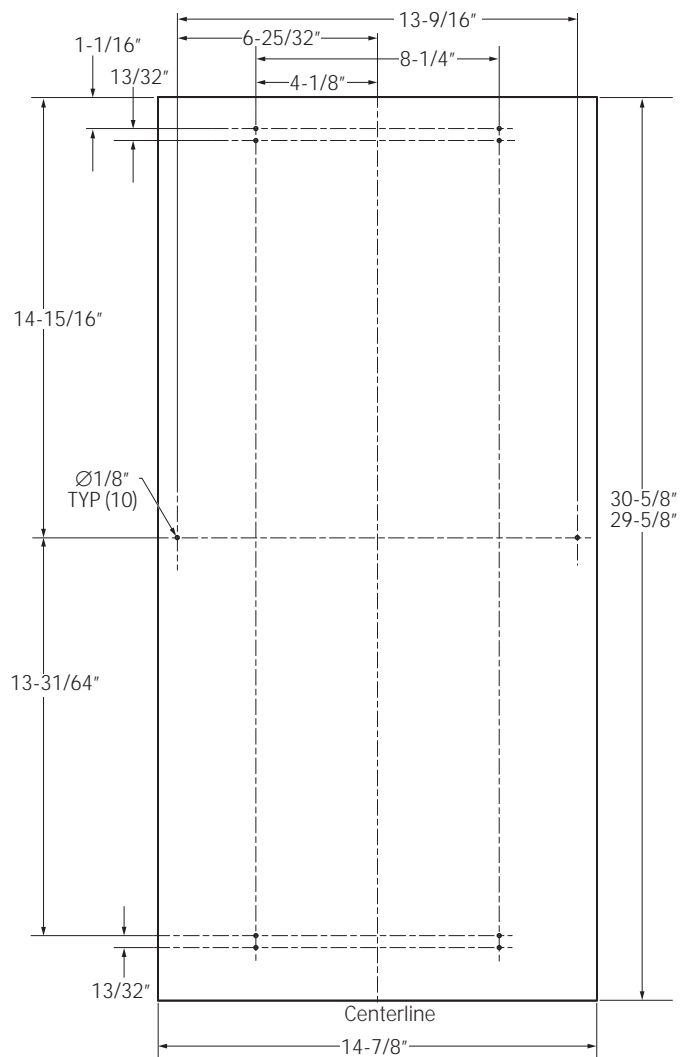
### For Custom Panel:

1. Measure overall height of the cabinet opening where the ice machine will be installed (floor to bottom of the countertop edge).
2. Determine desired toekick height (bottom of door to the floor). This can be equal to the adjacent cabinet's toekick height.
3. The clearance between the countertop and the top of the ice machine should be at least  $1/8"$ .
4. Subtract the toekick height and the clearance from the opening height to determine the height of your custom door panel.



5. Cut the panel to the specified width and height.
6. Determine the top of the panel. Measure and mark hole locations.

7. Drill pilot holes on the back of the panel at your markings. Use a drill stop to prevent drilling through the panel.



# Installation Instructions

## INSTALLING THE ICE MACHINE (Cont.)

### INSTALLING THE DOOR PANEL (Cont)

If the door swing is going to be changed please complete prior to installing the door panel. See page 13.

#### Attaching the Door Panel

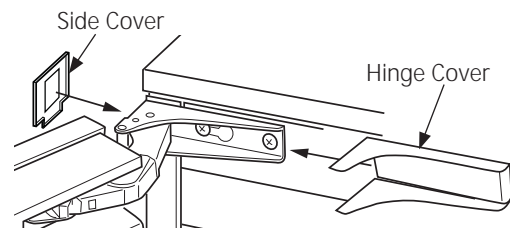
The panel will be held on by 6 sheet metal screws and 2 machine screws.

1. Remove the gasket from the inside of the door and retain for later use.
2. Remove any plastic covering the stainless steel panel.
3. Place the door panel onto the outside of the door and secure it with 2 machine screws in the left center and right center of the door.
4. Fasten the panel to the door using the 6 sheet metal screws. In the hinge opening area opposite the hinge side, use the outermost screw holes only.
5. Place the covers over the hinge opening areas and secure each cover to the door using a sheet metal screw and washer.
6. Insert hole plug over screw installed in step 5.
7. Return the gasket to its original position.
8. Attach the door to the cabinet using the original screws.

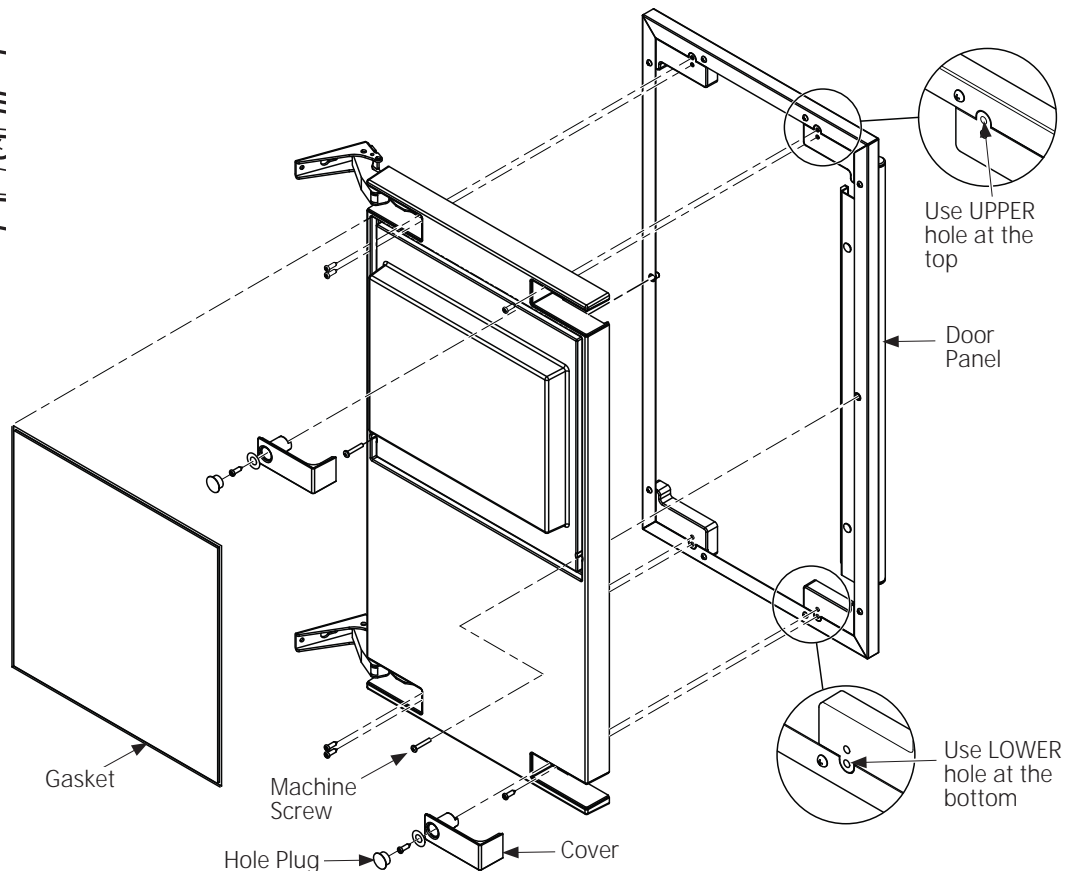
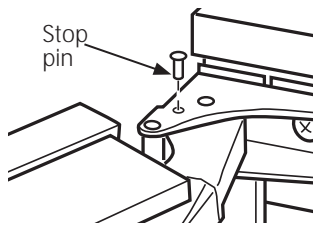
**IMPORTANT:** In some situations the door can open too far and damage adjacent cabinets. To prevent this, insert a **Stop Pin** (in hardware packet) into the provided hole in the top and bottom hinges. Drive the pin into the hole until the head is flush with the hinge.

9. Slide the hinge covers from the hardware packet over each hinge.
10. Attach the side covers from the hardware packet over the hinge by peeling off the covering over the adhesive and placing it over the side of the hinge.

**Note:** If the unit is being built-in a screw can be used to secure the unit to the cabinet in place of installing the side covers.



11. Return the kickplate and front service panel to their original positions and attach to the cabinet using the original screws.



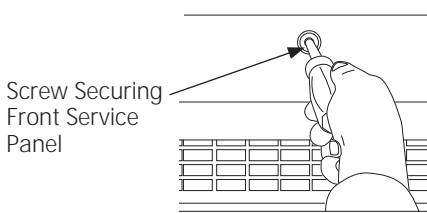
# Installation Instructions

## PLUMBING

The recommended water supply tubing is 1/4" OD copper. Stainless steel flex or reinforced PCV tube may also be used. Install an easily accessible shut-off valve between the supply and the unit. This shut-off valve should not be installed behind the unit.

**NOTE:** Do not use self-piercing type valves.

1. Remove the front service panel.
2. Route the tubing through the right hole in the back Panel to the inlet water solenoid valve inlet.
3. Install a compression fitting on the tubing and connect to the inlet of the solenoid.



## DRAIN PUMP

### Drain Installation

A drain pump is available for this ice machine. The drain pump kit number is UPK3 and is available at [www.GEApplianceparts.com](http://www.GEApplianceparts.com) or by calling 877-959-8688. In Canada visit [www.GEAppliances.ca](http://www.GEAppliances.ca) or call 800.561.3344.

## GRAVITY DRAIN

### Drain Installation

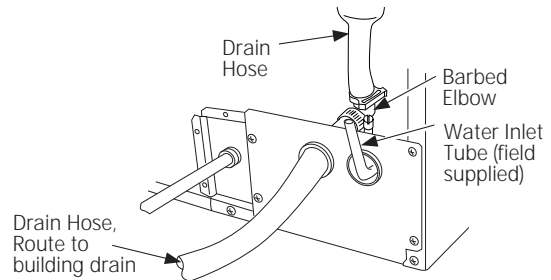
**NOTICE** Restrictions in the drain system to the machine will cause water to back up into the ice storage bin and melt the ice. Gravity drain tubing must be vented, have no kinks, and slope to the building drain. Air gaps are typically required by local codes.

1. Place the ice machine in front of the installation opening. Adjust leveling legs to the approximate height. There are Leg Caps in the hardware packet that can snap onto the leveling legs if they are going to show when the unit is level.
2. Remove the front service panel and the upper black panel.

**NOTE:** If the drain opening has been located in the floor under the base pan according to the pre-install specifications, follow steps 3-6 to drain the unit through the base. If not, proceed to 6.

3. Remove the clamp and barbed elbow and take off the plastic cover in the base pan below the drain hose.
4. Connect a straight 5/8" barbed connector to the drain hose, securing with the supplied hose clamp.
5. Cut an 8" piece of 5/8" OD x 7/8" OD tygon (clear plastic) tubing. Slide one end of the tube onto the clamp, Leave the other end of the tube lying on the floor of the base pan until the unit is positioned over the floor drain.

6. Route the drain tube either a) Insert the drain tube through the base pan into the floor drain or b) Route the drain tube through the left hole in the lower back panel and connect to barbed elbow and secure with a clamp.



7. Reinstall the upper back panel.
8. Reinstall the service access panel. Level the unit. There are Leg Caps in the hardware packet that can snap onto the leveling legs if they are going to show when the unit is level.

## Water Supply

The recommended water supply tubing is 1/4" OD copper. Stainless steel flex or reinforced PCV tube may also be used. Install an easily accessible shut-off valve between the supply and the unit. This shut-off valve should not be installed behind the unit.

The water connection is at the back of the cabinet. Connect using a compression fitting, one is supplied tied to the water inlet tube at the back of the cabinet.

**When built in:** Coil enough tubing behind the machine so it can be pushed into the cavity without kinking the tubing.

## INSTALLATION

The ice machine is supplied with a power cord. Do not remove the grounding pin from the cord's plug. Do not use extension cords. Follow all codes. Connect the machine so its own 115v, 15amp circuit.

1. If the electrical outlet for the ice maker is behind the unit, plug it into the unit.
2. Position the unit in the installation opening.
3. Turn on the water supply. Make sure that the icemaker is plugged in and the power is on.
4. Slide the unit into the installation opening, paying special attention to water supply and drain connections. Do not kink!
5. Pour a couple of quarts of water into the ice storage bin; on drain pump equipped machines the drain pump should start and water should pump out. Check for leaks.
6. Replace the service access panel.
7. Level the unit as needed.

## Before you call for service...



*Troubleshooting Tips*  
*Save time and money! Review the charts on the following pages first and you may not need to call for service.*

Problem	Possible Causes	What to Do
Ice cubes are incompletely formed	Scale on the ice making system	Clean the ice making system
Low capacity	Restricted drain or standing water in the bin	Clean the air cooled condenser fins.
		Clean the ice making system.
		Check the drain line for kinks
No ice	Switch is OFF	Press the <b>ON/OFF</b> button to turn the power on.
	Electric breaker has been tripped	Flip the electric breaker back on.
	Water supply is low	If the Check Water light is flashing Red, the water supply is low. The control system checks for water every 20 minutes. When the water supply is restored, the machine will automatically reset.
<i>Time to Clean</i> light is on		Clean the ice making system following directions in the <i>Care and Cleaning</i> section.

### Noise

The ice machine is designed for quiet operation but will make some noise during the ice making cycle. During a freezing cycle, it is normal to hear the fan moving air and the water pump circulating water. Ice hitting the bin or ice in the bin can be heard during harvest.

If ice making noise is objectionable, an appliance grade timer can be added to the power supply. Set the timer to turn the machine off at the time(s) of day when the noise is the most objectionable.



# Ice Machine Warranty.



For US Customers, all warranty service provided by our Factory Service Centers, or an authorized Customer Care® technician. To schedule service, visit us online at [GEAppliances.com](http://GEAppliances.com), or call 800.GE.CARES (800.432.2737). Please have serial number and model number available when calling for service. In Canada, call 800.561.3344.

Staple your receipt here. Proof of the original purchase date is needed to obtain service under the warranty.

For the Period of:	GE Appliances Will Replace
<b>One Year</b> From the date of the original purchase	<b>Any part</b> of the ice machine which fails due to a defect in materials or workmanship. During the <b>limited one-year warranty</b> , GE Appliances will also provide, <b>free of charge</b> , all labor and related service to replace the defective part.
<b>Five Years</b> From the date of the original purchase	<b>Any part of the sealed refrigeration system</b> (the compressor, condenser, evaporator and all connecting tubing) which fails due to a defect in materials or workmanship. During the <b>limited five-year sealed refrigerating system warranty</b> , GE Appliances will also provide, <b>free of charge</b> , all labor and related service to replace the defective part in the sealed refrigerating system.

## What GE Appliances Will Not Cover:

- Service trips to your home to teach you how to use the product.
- Improper installation, delivery or maintenance.
- Failure of the product if it is abused, misused, or used for other than the intended purpose or used commercially.
- Replacement of house fuses or resetting of circuit breakers.
- Damage caused after delivery.
- Replacement of the light bulbs, if included.
- Damage to the product caused by accident, fire, floods or acts of God.
- Incidental or consequential damage caused by possible defects with this appliance.
- Product not accessible to provide required service.

**EXCLUSION OF IMPLIED WARRANTIES—Your sole and exclusive remedy is product repair as provided in this Limited Warranty. Any implied warranties, including the implied warranties of merchantability or fitness for a particular purpose, are limited to one year or the shortest period allowed by law.**

**For US Customers:** This warranty is extended to the original purchaser and any succeeding owner for products purchased for home use within the USA. If the product is located in an area where service by a GE Appliances Authorized Servicer is not available, you may be responsible for a trip charge or you may be required to bring the product to an Authorized GE Appliances Service location for service. In Alaska, the warranty excludes the cost of shipping or service calls to your home.

Some states do not allow the exclusion or limitation of incidental or consequential damages. This warranty gives you specific legal rights, and you may also have other rights which vary from state to state. To know what your legal rights are, consult your local or state consumer affairs office or your state's Attorney General.

**Warrantor: GE Appliances, Louisville, KY 40225**

**For Customers in Canada:** This warranty is extended to the original purchaser and any succeeding owner for products purchased in Canada for home use within Canada. In-home warrant service will be provided in areas where it is available and deemed reasonable by Mabe to provide.

**Warrantor Canada: MC Commercial, Burlington, Ontario, L7R 5B6**

## Consumer Support.

---



### *GE Appliances Website*

In the U.S.: ***GEAppliances.com***

Have a question or need assistance with your appliance? Try the GE Appliances Website 24 hours a day, any day of the year! You can also shop for more great GE Appliances products and take advantage of all our on-line support services designed for your convenience. In Canada: [www.GEAppliances.ca](http://www.GEAppliances.ca)



### *Schedule Service*

In the U.S.: ***GEAppliances.com***

Expert GE Appliances repair service is only one step away from your door. Get on-line and schedule your service at your convenience any day of the year! Or call 800.GE.CARES (800.432.2737) during normal business hours. In Canada, call 1.800.561.3344



### *Real Life Design Studio*

In the U.S.: ***GEAppliances.com***

GE Appliances supports the Universal Design concept—products, services and environments that can be used by people of all ages, sizes and capabilities. We recognize the need to design for a wide range of physical and mental abilities and impairments. For details of GE Appliances' Universal Design applications, including kitchen design ideas for people with disabilities, check out our Website today. For the hearing impaired, please call 800.TDD.GEAC (800.833.4322).

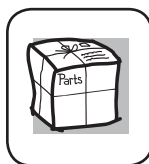
In Canada, contact: Manager, Consumer Relations, Mabe Canada Inc.  
Suite 310, 1 Factory Lane  
Moncton, N.B. E1C 9M3



### *Extended Warranties*

In the U.S.: ***GEAppliances.com***

Purchase a GE Appliances extended warranty and learn about special discounts that are available while your warranty is still in effect. You can purchase it on-line anytime, or call 800.626.2224 during normal business hours. GE Appliances Consumer Home Services will still be there after your warranty expires. In Canada, call 1.800.290.9029



### *Parts and Accessories*

In the U.S.: ***GEApplianceParts.com***

Individuals qualified to service their own appliances can have parts or accessories sent directly to their homes (VISA, MasterCard and Discover cards are accepted). Order on-line today, 24 hours every day or by phone at 877.959.8688 during normal business hours.

***Instructions contained in this manual cover procedures to be performed by any user. Other servicing generally should be referred to qualified service personnel. Caution must be exercised, since improper servicing may cause unsafe operation.***

Customers in Canada should consult the yellow pages for the nearest Mabe service center, or call 1.800.661.1616.



### *Contact Us*

In the U.S.: ***GEAppliances.com***

If you are not satisfied with the service you receive from GE Appliances, contact us on our Website with all the details including your phone number, or write to: General Manager, Customer Relations  
GE Appliances, Appliance Park  
Louisville, KY 40225

In Canada: [www.GEAppliances.ca](http://www.GEAppliances.ca), or write to: Director, Consumer Relations, Mabe Canada Inc.  
Suite 310, 1 Factory Lane  
Moncton, N.B. E1C 9M3



### *Register Your Appliance*

In the U.S.: ***GEAppliances.com***

Register your new appliance on-line—at your convenience! Timely product registration will allow for enhanced communication and prompt service under the terms of your warranty, should the need arise. You may also mail in the pre-printed registration card included in the packing material, or detach and use the form in this Owner's Manual. In Canada: [www.GEAppliances.ca](http://www.GEAppliances.ca)



# Machine À Glaçons

*Consignes de sécurité* ..... 2, 3

*Déballage* ..... 4

*Consignes d'utilisation*

Commandes et fonctions ..... 4, 5

Démarrage de la machine à glaçons... 5

Entretien et nettoyage..... 6-7

*Installation instructions*

Mise à la terre de la machine  
à glaçons..... 8

Avant de commencer..... 8

Emplacement et préparation ..... 8, 9

Installation de la machine  
à glaçons ..... 10-16

Planification préalable..... 10,

Accessoires ..... 10

Dimensions ..... 11

Direction de l'ouverture de porte... 12

Panneau de porte ..... 13, 14

Plomberie ..... 15,

Installation..... 15

*Conseils de dépannage*..... 16

Bruit..... 16

*Service à la clientèle*

Garantie ..... 17

Service à la clientèle..... 18

Manuel d'utilisation  
et instructions  
d'installation

UCC15

*Inscrivez les numéros de modèle  
et de série ici :*

*No modèle* \_\_\_\_\_

*No série* \_\_\_\_\_

Ces numéros figurent sur une  
étiquette dans le haut de la  
doublure interne vers le devant  
de l'appareil.

# INSTRUCTIONS IMPORTANTES DE SÉCURITÉ.

## LISEZ TOUTES LES INSTRUCTIONS AVANT L'UTILISATION.



### Site Internet d'Électroménagers GE

Pour de plus amples informations sur le fonctionnement de votre appareil, consultez le site [www.electromenagersge.ca](http://www.electromenagersge.ca) ou composez le 800.561.3344.

### RENSEIGNEMENTS DE SÉCURITÉ CONCERNANT LA MACHINE À GLAÇONS

**!** Ce symbole représente une alerte de sécurité. Ce symbole vous avise de dangers possibles pouvant causer la mort, des blessures ou autres. Tous les messages de sécurité seront précédés du symbole d'alerte de sécurité ainsi que des mots « DANGER », « AVERTISSEMENT » ou « ATTENTION ». Ces messages sont les suivants :

**! DANGER** Signale une situation qui présente un danger imminent et qui, si elle n'est pas évitée, **entraînera** des blessures graves, voire la mort.

**! AVERTISSEMENT** Signale une situation qui présente un danger imminent et qui, si elle n'est pas évitée, **peut** entraîner des blessures graves, voire la mort.

**! ATTENTION** Signale une situation qui présente un danger imminent et qui, si elle n'est pas évitée, **peut** entraîner des blessures mineures ou graves.

**! AVERTISSEMENT** Afin de réduire le risque d'incendie, d'explosion, de choc électrique ou de blessure lors de l'utilisation de votre machine à glaçons, observez ces mesures de sécurité suivantes :

■ Ce machine à glaçons doit être correctement installé conformément aux Consignes d'Installation avant toute utilisation.

■ Débranchez le appareil avant d'effectuer une réparation, de remplacer une ampoule ou de le nettoyer.

Remarque : L'alimentation du réfrigérateur ne peut être déconnectée par aucune des fonctions sur le panneau de commande.

Remarque : Les réparations doivent être effectuées par un professionnel qualifié.

■ Remettez toutes les pièces et panneaux en place avant d'utiliser l'appareil.

■ Ne stockez pas ou n'utilisez pas d'essence ou d'autres vapeurs et liquides inflammables à proximité de cet appareil ou de tout autre appareil électroménager.

■ Nous déconseillons fortement l'utilisation d'une rallonge à cause des risques potentiels dans certaines conditions. Cependant, si

l'utilisation d'un cordon prolongateur est nécessaire, ce dernier doit obligatoirement être homologué UL (aux USA) ou CSA (au Canada), à trois brins avec mise à la terre pour appareil électroménager et doit être équipé d'une fiche et d'une prise femelle avec terre. Les caractéristiques électriques du cordon prolongateur doivent être de 15 ampères (minimum) et de 120 volts.

■ Afin de prévenir le risque d'asphyxie et d'enfermement des enfants, enlevez la porte de tout appareil avant de le mettre au rebut et d'en cesser l'utilisation.

■ Ne laissez pas les enfants grimper, se tenir ou s'accrocher sur la poignée de porte de l'appareil. Ils pourraient se blesser gravement.

■ Le produit antitartre pour machine à glaçons contient des acides qui peuvent causer des brûlures. En cas d'éclaboussement du produit concentré sur la peau, rincez à l'eau. En cas d'ingestion, ne provoquez PAS de vomissement. Faites boire de grandes quantités d'eau ou de lait. Appelez un médecin immédiatement. Gardez à l'écart des enfants.

### Avertissements de la Proposition 65 de l'État de la Californie :

**! AVERTISSEMENT** Ce produit contient une ou plusieurs substances chimiques reconnues par l'État de Californie pour causer le cancer et des anomalies congénitales ou d'autres problèmes liés à la reproduction.

**! ATTENTION** Afin de réduire le risque de blessure lors de l'utilisation de l'appareil, observez ces mesures de sécurité élémentaires.

■ Gardez les doigts à l'écart des endroits où ils risquent d'être écrasés; les espaces entre les porte, et entre les porte et les placard sont toujours étroits. Soyez prudent lorsque vous fermez les porte en présence d'enfants.

■ Évitez le contact avec les pièces mobiles du mécanisme d'éjection, ou de l'élément chauffant qui produit les cubes. Ne placez ni les doigts ni les mains sur le mécanisme automatique de production de glace lorsque la machine à glaçons est branchée.

### INSTALLATION

**! AVERTISSEMENT**  **Risque d'explosion.**

Conservez les matériaux et vapeurs inflammables tels que l'essence à l'écart de votre appareil. Une explosion, un incendie voire la mort pourrait en résulter.

## AVIS CONCERNANT L'UTILISATION À L'EXTÉRIEUR :

**PROTÉGER DU GEL :** Des dommages sévères à l'appareil surviendront s'il est soumis à des températures internes ou ambiantes qui excèdent les limites spécifiées dans ce manuel. Ce type de dommage ne sera PAS couvert par la garantie.

**GARDER AU SEC :** Ne placez pas l'appareil dans des dépressions où des flaques peuvent se former.

**PROTÉGER DU SOLEIL :** La chaleur des rayons du soleil réduit la capacité de l'appareil à produire et emmagasiner de la glace, et les radiations ultraviolettes du soleil peuvent endommager ses composants en plastique.

**ALIMENTATION D'EAU :** Évitez l'exposition au soleil de longues sections de tuyau. Les tuyaux d'eau en plastique doivent être conçus pour l'eau potable et comporter une protection contre les rayons ultraviolets. Nous recommandons l'usage de tuyaux en cuivre.

**PRÉVENTION DES RETOURS D'EAU :** L'appareil est doté d'un dispositif de prévention des retours d'eau, aucun clapet antiretour n'est requis.

**VIDANGE :** NE VIDANGEZ PAS l'eau de l'appareil dans une piscine ni sur le sol.

## BRANCHEMENTS ÉLECTRIQUES



**AVERTISSEMENT**



**Risque de choc électrique.**

Branchez l'appareil dans une prise triple avec terre.

Ne retirez pas la broche de terre.

N'utilisez pas d'adaptateur.

Le non-respect de ces instructions peut entraîner des risques d'incendies, des chocs électriques ou la mort.

**Ne coupez pas ou n'enlevez pas, sous aucun prétexte, la troisième broche de mise à la terre du cordon d'alimentation. Pour des raisons de sécurité, cet appareil doit être correctement mis à la terre.**

Le cordon d'alimentation de cet appareil est équipé d'une fiche à trois broches (pour une mise à la terre) qui s'adapte à la prise de courant standard à 3 broches (pour une mise à la terre) pour minimiser les risques de chocs électriques par cet appareil.

Faites vérifier la prise murale et le circuit électrique par un électricien qualifié pour s'assurer que le système est correctement mis à la terre.

Dans le cas d'une prise biphasée, l'installateur a la responsabilité et l'obligation de la remplacer par une prise triphasée correctement mise à la terre. N'utilisez pas d'adaptateur.

La machine à glaçons doit toujours être branchée dans son propre circuit de 115 volts, 60 Hz, 15 ampères. Cette précaution procure le

meilleur rendement et prévient aussi la surcharge des circuits électriques du domicile qui peuvent poser un risque d'incendie par surchauffe des fils.

Ne débranchez jamais la machine à glaçons en tirant sur le cordon électrique. Prenez toujours fermement la fiche en main et tirez pour la sortir de la prise.

Réparez ou remplacez immédiatement tout cordon électrique usé ou endommagé. N'utilisez pas un cordon fissuré ou présentant des dommages dus aux frottements soit sur sa longueur ou aux extrémités.

Lors du déplacement de la machine à glaçons, veillez à ne pas rouler sur le cordon électrique ni à l'endommager autrement.

## MISE AU REBUT APPROPRIÉE DE VOTRE ANCIEN APPAREIL

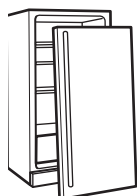


**AVERTISSEMENT**

**Un enfant risque de suffoquer ou d'y être emprisonné.**

Enlevez la porte de l'appareil avant de le mettre au rebut. Le non-respect de cette recommandation peut entraîner l'enfermement d'un enfant qui peut entraîner la mort ou des lésions cérébrales.

**IMPORTANT:** Les enfants pris au piège ou morts d'asphyxie sont toujours d'actualité. Les appareils jetés ou abandonnés restent dangereux même si vous ne les laissez au rebut que pour « quelques jours ». Si vous voulez jeter votre ancien appareil, suivez les instructions suivantes pour empêcher les accidents.



**Avant de jeter votre ancien appareil:**

- Enlevez les portes.
- Laissez les composants internes en place afin que les enfants ne puissent s'y introduire facilement.

### *Fluides frigorigènes*

Les appareils réfrigérants contiennent des fluides frigorigènes qui conformément à la législation fédérale doivent être retirés avant la mise au rebut de l'appareil. Si vous mettez au rebut un ancien réfrigérateur contenant des fluides frigorigènes, vérifiez la procédure à suivre auprès de la compagnie responsable de l'élimination.

**LISEZ ET SUIVEZ SOIGNEUSEMENT CES MESURES DE SÉCURITÉ.**

**CONSERVEZ CES INSTRUCTIONS**

## Déballage.

---

**IMPORTANT:** N'enlevez aucune étiquette d'instructions permanente à l'intérieur de la machine à glaçons ni fiche technique fixée derrière le panneau d'accès inférieur.

- Retirez le ruban adhésif et toute étiquette de votre machine à glaçons avant l'utilisation (sauf l'étiquette des numéros de modèle et de série).

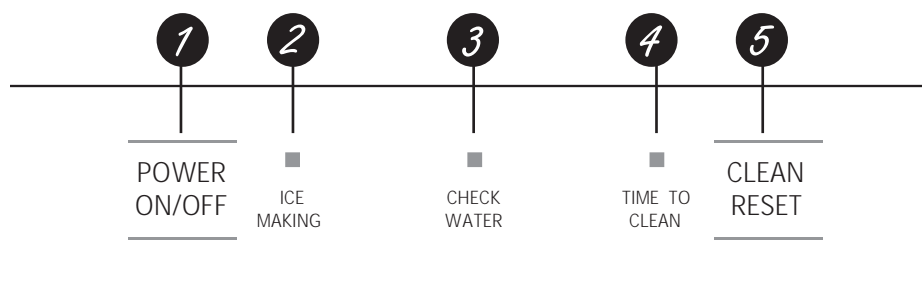
Pour enlever les résidus d'adhésif ou de colle qui subsistent, frottez la zone vigoureusement avec votre pouce. On peut aussi faire partir aisément les résidus d'adhésif ou de colle en frottant avec les doigts et une petite quantité de savon à vaisselle liquide. Essayez à l'eau chaude et séchez.

- N'utilisez pas d'instruments coupants, de l'alcool à friction, des fluides inflammables ni des nettoyants abrasifs pour enlever l'adhésif ou la colle. Ces produits peuvent endommager la surface de la machine à glaçons. Pour plus d'informations, voir *Consignes de sécurité importantes*.

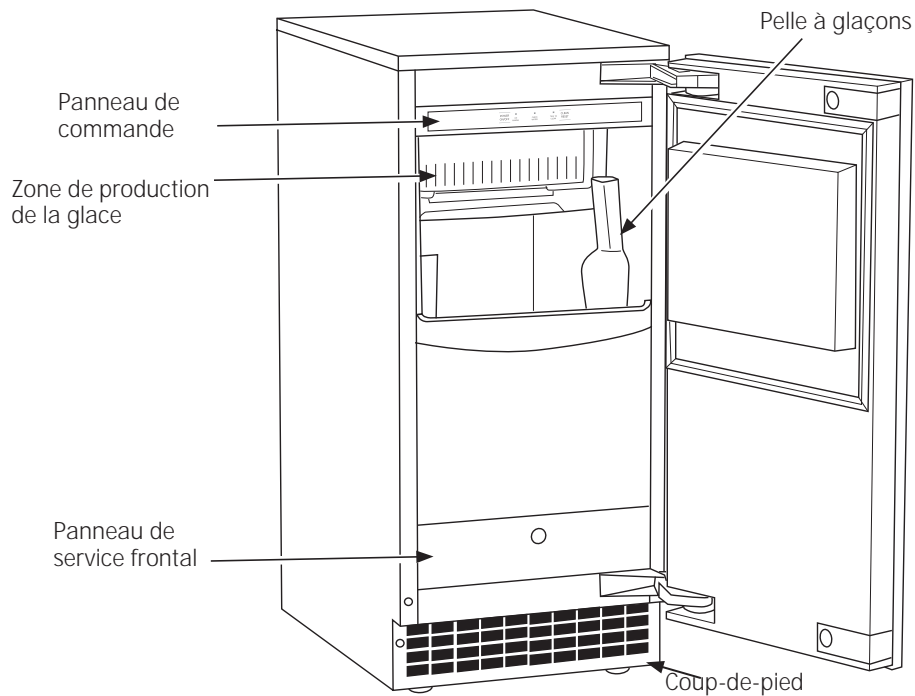
## Commandes et fonctions.

---

### Commandes



- 1** **POWER ON/OFF (Mise sous/hors tension)** – Pressez pour allumer ou éteindre la machine à glaçons.
- 2** **ICE MAKING (Production de glace)** - Brille en blanc lorsque l'appareil est allumé.
- 3** **CHECK WATER (Vérifier l'eau)** - Brille en rouge lorsque la machine n'est plus alimentée en eau.
- 4** **TIME TO CLEAN (Nettoyage requis)** - Brille en jaune lorsqu'il est temps de nettoyer la machine. Ce voyant s'allumera au bout de 6 mois d'utilisation. Il demeurera allumé jusqu'à ce que le système de la machine à glaçons soit nettoyé suivant la procédure décrite dans la section *Entretien et nettoyage*.
- 5** **CLEAN RESET (Processus de nettoyage)** - Pressez simultanément ce bouton et le bouton Power durant 5 secondes pour démarrer le processus de nettoyage (voir *Entretien et nettoyage*).

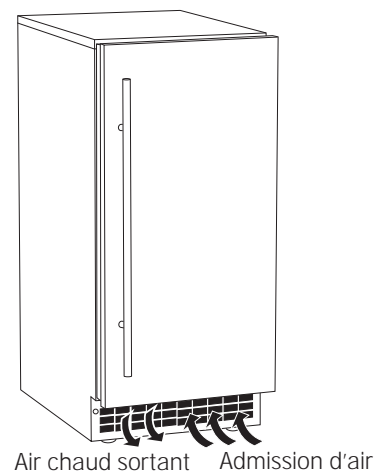


## Démarrage de la machine à glaçons.

Cette machine aspire l'air à température ambiante depuis sa face frontale inférieure droite et expulse l'air chaud depuis sa face frontale inférieure gauche. La restriction de la circulation d'air ou l'utilisation de la machine dans un environnement très chaud ou froid aura un effet négatif sur la production de glace.

Lorsque la porte est ouverte, le panneau de commande, la zone de production de glace et le bac de conservation de la glace sont visibles. La pelle à glace est située dans un support le long de la paroi du côté droit.

Il s'agit d'un modèle à vidange par gravité qui doit être raccordé au drain du bâtiment sous le niveau du tube de vidange à l'arrière de l'armoire. Une pompe peut être installée qui peut forcer l'eau de vidange à monter un maximum de 3 mètres (10 pi), permettant de situer la machine là où une vidange par gravité n'est pas disponible. Voir la section *Accessoires* de la page 10 pour plus d'informations sur la pompe de vidange.



### Démarrage initial

1. Ouvrez l'alimentation d'eau.
2. Mettez l'appareil sous tension.
3. Pressez et relâchez l'interrupteur ON/OFF pour démarrer l'appareil. Le voyant ICE MAKING (Production de glace) à côté de l'interrupteur ON/OFF brillera en blanc.
4. L'eau commencera à circuler dans l'appareil. Une fois le réservoir plein, l'eau commence à se vidanger de la machine. Au bout de quelques minutes, le compresseur, la pompe à eau et le moteur du ventilateur commencent à fonctionner indiquant le lancement du premier cycle de production de glace.

Aucun ajustement n'est nécessaire.

Au bout d'environ 30 minutes, la glace tombe dans le bac de conservation. La machine produit 24 pépites à la fois. Il est normal que les premiers lots de glace fondent alors que le bac n'est pas complètement refroidi. Il faut 8 à 10 heures de fonctionnement pour remplir le bac. La machine s'arrête une fois que le bac est plein et redémarre lorsque le niveau baisse, suite à la consommation ou à la fonte normale.

Jeter le premier lot de glace.

# Entretien et nettoyage.

## Nettoyage des surfaces extérieures

On peut nettoyer la porte et la poignée en acier inoxydable à l'aide d'un nettoyant pour inox commercial. Les nettoyants qui contiennent de l'acide oxalique tels que Bar Keepers Friend Soft Cleanser™ vont éliminer la rouille, le ternissement et les petites taches.

Utilisez seulement un nettoyant liquide exempt d'abrasif et frottez dans la direction des lignes de brossage à l'aide d'une éponge humide douce. N'employez pas de cire ni de produit à polir les électroménagers sur de l'acier inoxydable.

## Nettoyage du bac de conservation de la glace

Le bac de conservation de la glace doit être désinfecté à l'occasion. Il est commode de le désinfecter après le nettoyage du système de production de glace, lorsqu'il est vide.

très chaude (95 °F – 115 °F). Utilisez un linge propre et essuyez l'intérieur du bac avec la solution désinfectante. Versez une quantité de solution dans le tuyau de vidange.

On peut obtenir une solution désinfectante en mélangeant 1 oz (30 ml) de javellisant domestique dans 7,6 litres (2 gallons) d'eau

Laissez sécher à l'air.

## Nettoyage du condensateur

Le condensateur est constitué d'ailettes et de tubes que la saleté et la charpie peuvent obstruer.

**REMARQUE :** Une utilisation à l'extérieur peut mener à une accumulation rapide de particules, telles que feuilles et autres résidus de végétaux. Le condensateur devra être inspecté fréquemment. Nettoyez-le dès que les ailettes deviennent obstruées.

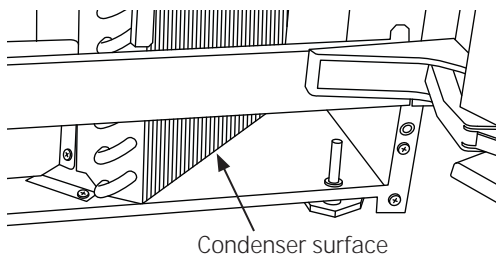
2. Repérez la surface du condensateur.
3. Passez l'aspirateur sur la surface pour enlever toute saleté et charpie.

**REMARQUE** Ne cabossez pas les ailettes.

4. Remettez en place le coup-de-pied et le panneau de service frontal. Fixez-les sur l'armoire à l'aide des vis d'origine.

Pour nettoyer :

1. Enlevez le coup-de-pied et le panneau de service frontal.



## Hivernage

1. Nettoyez le système de production de glace selon les instructions ci-dessus.
2. Ouvrez la porte et pressez le bouton ON/OFF pour éteindre la machine à glaçons.
3. Fermez l'alimentation d'eau.
4. Vidangez le réservoir d'eau en retirant le bouchon en caoutchouc sous le réservoir. Celui-ci est situé près de la paroi arrière du bac de conservation de la glace.



5. Déconnectez la conduite d'eau d'admission au robinet d'admission d'eau.
6. Ouvrez la porte. Pressez le bouton ON/OFF (Marche/Arrêt) pour mettre la machine à glaçons sous tension.
7. Soufflez de l'air dans le robinet d'admission d'eau. On peut se servir d'une pompe de gonflage de pneus.
8. Pour les modèles avec pompe de vidange, il faut verser environ 2 litres (1/2 gallon) d'antigel pour véhicule récréatif (propylène glycol) dans le drain du bac de conservation de la glace.

**REMARQUE :** Il ne faut PAS employer de l'antigel pour automobile.

9. Éteindre et débrancher la machine à glaçons.



## Nettoyage du tartre dans le système de la machine à glaçons

Le voyant TIME TO CLEAN (Nettoyage requis) s'allumera au bout de 6 mois d'utilisation. Il demeurera allumé jusqu'à ce que le système de production de glace soit nettoyé.

Vous devez utiliser des gants en caoutchouc pour manipuler le produit antitartre. Pour commander le produit antitartre, consultez le site [www.electromenagersge.ca](http://www.electromenagersge.ca) ou composez le 800.561.3344. Commandez la pièce no WX08X42873.

### AVERTISSEMENT

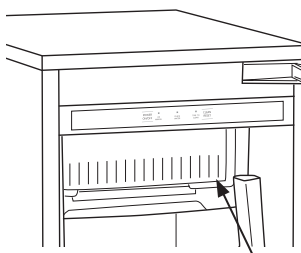


Le produit antitartre pour machine à glaçons contient des acides qui peuvent causer des brûlures. En cas d'éclaboussement du produit concentré sur la peau, rincez à l'eau. En cas d'ingestion, ne provoquez PAS de vomissement. Faites boire de grandes quantités d'eau ou de lait. Appelez un médecin immédiatement. Gardez à l'écart des enfants.

1. Servez-vous de la pelle pour vider le bac. Jetez la glace ou conservez-la dans une glacière.
2. Pressez le bouton **ON/OFF** durant 3 secondes jusqu'à ce que le voyant blanc s'éteigne.

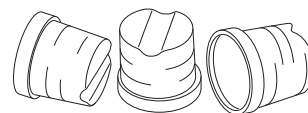


3. Pressez simultanément les boutons **CLEAN-RESET** (Nettoyer-Redémarrer) et **ON/OFF** durant 5 secondes. Le voyant **TIME TO CLEAN** va se mettre clignoter.
4. Versez 237 ml (8 oz) de produit antitartre dans le réservoir de la machine à glaçons.



Verser du produit antitartre

5. Faites fonctionner la machine pendant environ 30 minutes.
6. Pressez puis relâchez l'interrupteur **ON/OFF**. La machine commencera à évacuer la solution de nettoyage.
7. Faites fonctionner la machine pendant encore 30 minutes.
8. Pressez puis relâchez l'interrupteur **ON/OFF**. La machine arrêtera le processus de nettoyage.
9. Versez 4 litres (1 gallon) d'eau très chaude dans le bac pour rincer le tuyau de vidange.
10. Nettoyez la doublure du bac pour éliminer le tartre minéral en mélangeant une quantité de produit antitartre dans de l'eau très chaude, puis frottez la doublure avec cette solution.
11. Rincez la double à l'eau très chaude.
12. Désinfectez l'intérieur du bac.
13. Remettez dans le bac la glace vidée à l'étape 1, s'il y a lieu.
14. Pressez puis relâchez l'interrupteur **ON/OFF** pour redémarrer la production de glace.
15. La pelle à glace doit être lavée régulièrement et elle va au lave-vaisselle.



Normalement, les pépites de glace sont en forme de cylindres étirés. Des pépites irrégulières ou déformées sont le signe que le tartre doit être nettoyé du système de production de glace.

**Note:** The bin is insulated and not refrigerated so the ice form will change in the storage bin as it is normal for the ice to melt.

# Instructions d'installation

# Machine à glaçons

Si vous avez des questions, appelez le 1.800.561.3344 ou visitez notre site Web à l'adresse :  
[www.electromenagers.ca](http://www.electromenagers.ca)

## MISE À LA TERRE DE LA MACHINE À GLAÇONS



### **Risque de choc électrique.**

Le non-respect de ces instructions peut entraîner des risques d'incendies, des chocs électriques ou la mort. Le cordon d'alimentation de cet appareil est équipé d'une fiche à trois broches (pour une mise à la terre) qui s'adapte à la prise de courant standard à 3 broches (pour une mise à la terre) pour minimiser les risques de chocs électriques par cet appareil.

Faites vérifier la prise murale et le circuit électrique par un électricien qualifié pour s'assurer que le système est correctement mis à la terre.

Dans le cas d'une prise biphasée, l'installateur a la responsabilité et l'obligation de la remplacer par une prise triphasée correctement mise à la terre.

Ne coupez pas ou n'enlevez pas, sous aucun prétexte, la troisième broche de mise à la terre du cordon d'alimentation.

**N'UTILISEZ PAS UNE FICHE D'ADAPTATION POUR BRANCHER L'APPAREIL DANS UNE PRISE À DEUX FENTES.**

**N'UTILISEZ PAS UNE RALLONGE AVEC CET APPAREIL.**

## AVANT DE COMMENCER

Lisez ces instructions complètement et attentivement.

- **IMPORTANT** – Respectez tous les codes et règlements officiels. Conservez ces instructions pour utilisation éventuelle par un inspecteur local.
- **Note à l'installateur** – Assurez-vous de laisser ces instructions au consommateur.
- **Note au consommateur** – Conservez ces instructions pour référence future.
- **Niveau de connaissances** – L'installation de cet appareil requiert des connaissances de base en mécanique.
- **Temps requis** – L'installation peut varier  
Installation de la conduite d'eau : 30 minutes
- L'installateur est responsable de l'installation correcte
- Toute panne de cet appareil causée par une installation inadéquate n'est pas couverte par la garantie.

## EMPLACEMENT ET PRÉPARATION DE LA MACHINE À GLAÇONS

Cette machine à glaçons est destinée à un usage à l'intérieur dans un environnement contrôlé, ou à l'extérieur dans certaines limites.

Elle est constituée de deux systèmes principaux : le système de production de la glace et le système de conservation de la glace. Le système de production produit de la glace en continu lorsque le niveau de glace est faible et il s'arrête lorsque plein.

**IMPORTANT:** Le bac de conservation ne doit contenir rien d'autre que de la glace. Des objets tels que des bouteilles de vin ou de bière ne sont pas seulement insalubres, mais leurs étiquettes peuvent se détacher et obstruer le drain.

**IMPORTANT:** Ne laissez jamais la machine fonctionner sans la nettoyer régulièrement. Celle-ci durera plus longtemps si elle est tenue propre. Un nettoyage régulier devrait être effectué au moins une fois l'an, préférablement deux. Certaines conditions de l'eau pourront nécessiter le nettoyage plus fréquent de la section de production de glace, et du condensateur en présence de certains tapis ou animaux domestiques.

### Spécifications

La machine à glaçons fonctionnera adéquatement dans les limites de température spécifiées mais elle procure son meilleur rendement entre 70 °F et 80 °F.

- Température d'eau minimale: 50°F (10°C)
- Température d'eau maximale 100°F (38°C)
- La température minimale de l'eau: 40°F (4.5°C)
- La température maximale de l'eau: 100°F. (38°C)
- Pression d'eau minimale: 20 psi (1.4 bar)
- Pression d'eau maximale: 80 psi (5.5 bar)

### Limites de tension :

- Minimale - 104 volts
- Maximale - 126 volts

# Instructions d'installation

## EMPLACEMENT ET PRÉPARATION DE LA MACHINE À GLAÇONS (suite)

### Qualité de l'eau

Toute eau, y compris celle fournie par les municipalités, contient des impuretés ou des minéraux. L'eau absorbe les impuretés de l'air lorsqu'elle tombe en pluie ou circule dans le sol. Certaines impuretés sont des matières solides en suspension qui peuvent être capturées par des filtres fins. D'autres impuretés, les matières dissoutes, ne peuvent pas être filtrées car elles sont liées chimiquement aux molécules d'eau.

La glace produite par cette machine aura une teneur en minéraux plus faible que l'eau qui a servi à la fabriquer. Cela est possible grâce à la méthode de production de la glace. Une eau plus pure gèlera en premier dans les moules de glaçons, car toute matière dissoute dans l'eau abaisse la température de congélation. Cela fait en sorte de concentrer la plupart des impuretés dans le réservoir d'eau de la machine où elle forment le tartre. La machine dilue la concentration des minéraux en faisant déborder le réservoir durant le cycle de production (l'eau en excès est vidangée dans le drain). L'utilisation de l'eau varie en fonction de la température de l'air et de l'eau. Entre 1 litre et 2 litres d'eau circule dans l'appareil lors de chaque cycle. Entre 0,5 et 1,8 litre sert à rincer le réservoir pour être vidangé ensuite.

Cependant, certaines impuretés passent dans le système et adhèrent aux pièces de la machine causant ainsi la déformation des pépites de glace. Éventuellement, **l'accumulation du tartre pourra abréger la longévité de la machine.**

Pour garantir le fonctionnement adéquat de la machine, les impuretés ou les minéraux devront être dissous régulièrement au moyen de nettoyant acide. Consultez la section Entretien et nettoyage pour connaître la façon de procéder.

### Filtres et traitement

En général, il est toujours judicieux de filtrer l'eau. Un filtre à eau approprié peut éliminer les goûts et les odeurs de même que les particules. Nous recommandons d'utiliser un filtre à eau GE Appliances tel que le modèle GXRLQ sur votre conduite d'admission d'eau. Veuillez visiter le site [www.electromenagersge.ca](http://www.electromenagersge.ca) pour lire les instructions d'installation et déterminer le filtre qui convient à votre situation. D'autres méthodes existent pour traiter les matières dissoutes telles que l'osmose inverse et le traitement aux polyphosphates.

### Eau traitée par osmose inverse

Cette machine peut recevoir de l'eau traitée par osmose inverse, à condition que sa conductivité soit d'au moins 10 microSiemens/cm. Un système d'osmose inverse doit inclure un posttraitement pour réduire l'agressivité de l'eau générée par cette méthode. L'eau désionisée n'est pas recommandée.

Étant donné que les adoucisseurs d'eau échangent un minéral pour un autre, la qualité de l'eau résultante n'est pas nécessairement améliorée dans la machine à glaçons. Si l'eau est très dure, une eau adoucie peut générer une glace blanche et spongieuse qui agglutine les glaçons.

En cas de doute concernant la qualité de l'eau, communiquez avec un spécialiste qui pourra recommander un traitement.

### Résumé de l'installation

La machine à glaçons doit :

- être raccordée à une alimentation d'eau froide potable;
- être raccordée à un drain;
- permettre la circulation d'air par les événements sur sa face frontale.
- be able to circulate air through the vents at the front.

**REMARQUE :** La porte ne doit pas être renfoncée dans le cas d'une installation encastrée.

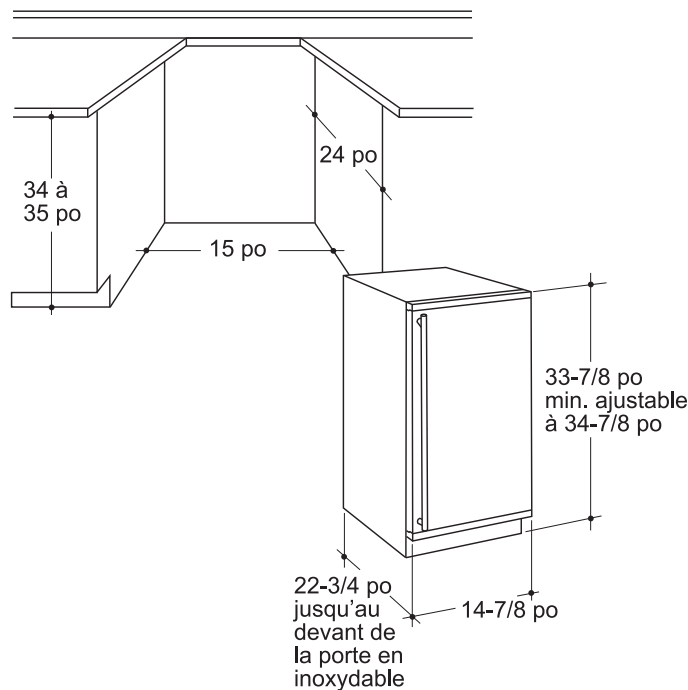
# Instructions d'installation

## INSTALLATION DE LA MACHINE À GLAÇONS (suite)

### PLANIFICATION PRÉALABLE

**ATTENTION** En raison du poids important, DEUX PERSONNES SONT NÉCESSAIRES POUR DÉPLACER ET INSTALLER cette machine à glaçons. L'omission d'agir ainsi peut causer des blessures, notamment au dos.

### DIMENSIONS DU PRODUIT ET DES DÉCOUPES



### Notes d'installation

Une pompe de vidange est offerte pour cette machine à glaçons. On peut se procurer l'ensemble de pompe de vidange numéro UPK3 sur le site [www.GEApplianceparts.com](http://www.GEApplianceparts.com) ou en composant le 877-959-8688. Au Canada, visitez le site [GEAppliances.ca](http://GEAppliances.ca) ou composez le 800.561.3344.

**Installation intégrée :** Si un plancher de finition doit être posé dans la zone où la machine à glaçons sera installée, un calage de l'épaisseur du plancher doit être prévu pour garder la machine au niveau du plancher.

**REMARQUE :** Le raccordement d'eau s'effectue à l'arrière et ajoute quelques centimètres à la profondeur de l'armoire.

**Installation sur dalle :** Vous devez installer une pompe de vidange sur l'appareil et pomper l'eau jusqu'au drain. Voir la section Accessoires. La pompe pourra pomper sur une hauteur d'un étage (3 m / 10 pi).

**Installation au-dessus d'un vide sanitaire ou d'un sous-sol :** Il faut utiliser soit un drain par gravité, soit une pompe. Pour la pompe, voir la section Accessoires. Si l'espace derrière la machine est insuffisant pour un orifice de vidange, le drain devra se situer sous le plancher.

**REMARQUE :** Lorsque installée dans un coin, l'ouverture de porte peut être limitée en raison du contact de la poignée sur le mur ou la face de l'armoire.

Une alimentation d'eau est requise. Celle-ci peut varier en contenu minéral. Une haute teneur en minéraux peut augmenter la fréquence des entretiens. La filtration de l'eau peut améliorer le goût de la glace et réduire l'accumulation minérale.

### ACCESSOIRES

Des panneaux de finition en acier inoxydable avec poignées sont offerts par Électroménagers GE Appliances pour fixation à la machine à glaçons. Les ensembles de panneau sont les suivants :

- ZIP80SS – Porte en acier inoxydable avec poignées style Euro
- PIP70SS - Porte en acier inoxydable avec poignées style Profile
- CIP75SS - Porte en acier inoxydable avec poignées style Café

Pour commander, allez sur le site [www.GEApplianceParts.com](http://www.GEApplianceParts.com) ou composez le 877-959-8688. Au Canada, visitez le site [www.GEAppliances.ca](http://www.GEAppliances.ca) ou composez le 800.561.3344.

**Rallonge de coup-de-pied :** Dans certaines situations, les pieds de nivellement seront étendus au point d'être visibles. Un ensemble de rallonge de coup-de-pied est offert pour dissimuler les pieds de nivellement. Le numéro de l'ensemble est WR02X25798. Pour commander, allez sur le site

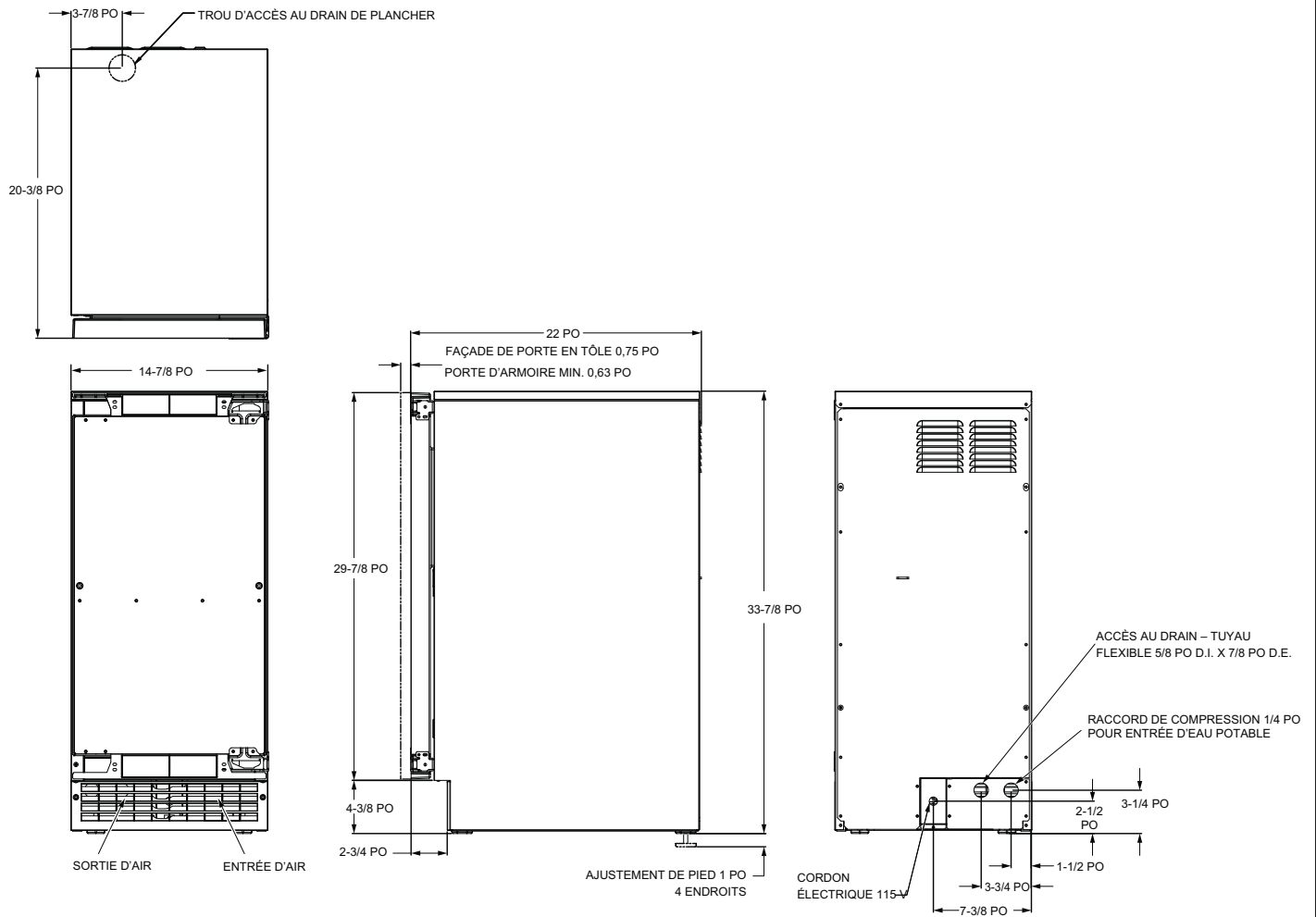
[www.GEApplianceParts.com](http://www.GEApplianceParts.com) ou composez le 877-959-8688. Au Canada, visitez le site [www.GEAppliances.ca](http://www.GEAppliances.ca) ou composez le 800.561.3344.

**Stabilité de l'armoire :** Pour certaines installations autonomes, il peut être prudent d'ajouter une ferrure antibasculement qui fixe le derrière de l'armoire au mur. Le numéro de l'ensemble est WR01X25709. Pour commander, allez sur le site [www.GEApplianceParts.com](http://www.GEApplianceParts.com) ou composez le 877-959-8688. Au Canada, visitez le site [www.GEAppliances.ca](http://www.GEAppliances.ca) ou composez le 800.561.3344.

**Conversion du drain :** Un drain par gravité peut être converti en pompe de vidange en installant un ensemble de pompe de drainage. Cet ensemble consiste en un pompe de vidange, un faisceau électrique et la tubulure associée. Le numéro de pièce est UPK3. Pour commander, allez sur le site [www.GEApplianceParts.com](http://www.GEApplianceParts.com) ou composez le 877-959-8688. Au Canada, visitez le site [www.GEAppliances.ca](http://www.GEAppliances.ca) ou composez le 800.561.3344.

# Instructions d'installation

## DIMENSIONS



# Instructions d'installation

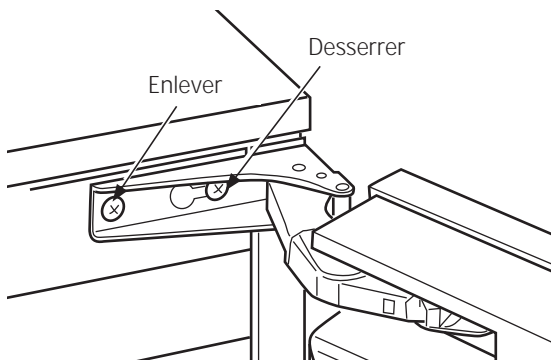
## INSTALLATION DE LA MACHINE À GLAÇONS (suite)

### DIRECTION DE L'OUVERTURE DE PORTE

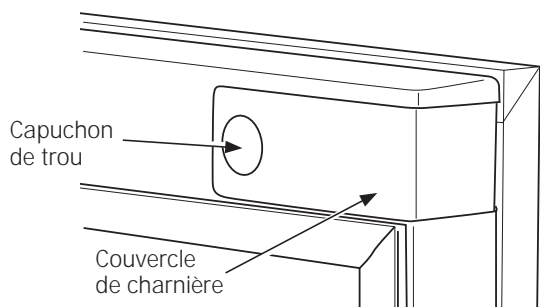
La pose des charnières peut se faire d'un côté ou l'autre pour permettre l'ouverture de la porte à droite ou à gauche. Décidez du côté de l'ouverture AVANT de fixer le panneau de porte.

Pour changer de côté :

1. Ouvrez la porte. Enlevez les 4 vis en acier inoxydable à l'opposé du côté charnière sur le devant de l'armoire.
2. Enlevez la vis située la plus à l'intérieur qui fixe la charnière à l'armoire. Desserrez l'autre vis.



3. Glissez la porte vers le côté de façon que la fente en trou de serrure de la charnière dégage la vis, puis retirez la porte de l'armoire.
4. Enlevez les vis qui ont été desserrées et conservez-les. Posez les 4 vis en acier inoxydable, enlevées à l'étape 1, dans les trous de l'armoire devenus libres par le retrait de la charnière.
5. Enlevez le capuchon de trou et les couvercles de charnière (s'il y a lieu).



6. Enlevez les capuchons de trou ou les vis au nouvel emplacement de la charnière (s'il y a lieu). Mettez-les de côté.
7. Posez les 2 vis de charnière, enlevées lors du retrait de la porte de l'armoire, dans les trous les plus à l'extérieur sur le nouveau côté charnière de l'armoire. Vissez-les jusqu'à mi-course environ.
8. Enlevez la charnière supérieure de la porte et déplacez-la sur le côté opposé, position inférieure. Fixez-la à l'aide des vis d'origine.

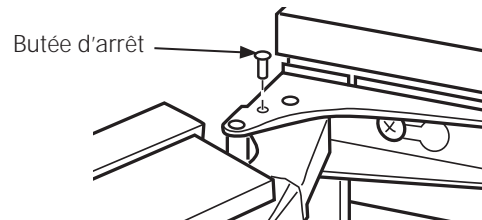
**REMARQUE :** Si le panneau de porte est fixé, il doit être enlevé pour l'accès aux vis de charnière et pour inverser la position de la poignée.

9. Enlevez la charnière inférieure d'origine et déplacez-la à l'emplacement opposé, position supérieure. Fixez-la à l'aide des vis d'origine.

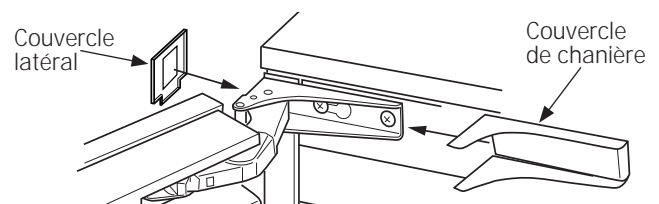
**IMPORTANT :** Si vous installez un panneau de porte en acier inoxydable ou un panneau personnalisé, sautez à la section INSTALLATION DU PANNEAU DE PORTE.

10. Posez les couvercles de charnière et les capuchons de trou sur la porte.
11. Posez la fente en trou de serrure sur la charnière, au-dessus de la vis la plus à l'extérieur, dans le haut et dans le bas, puis glissez la porte sur l'armoire.
12. Fixez la porte sur l'armoire à l'aide des vis d'origine. Serrez les 4 vis.

**IMPORTANT :** Dans certaines situations, la porte peut s'ouvrir trop largement et ainsi endommager les armoires adjacentes. Pour l'empêcher, insérez une butée d'arrêt (trousse de quincaillerie) dans le trou existant des charnières supérieure et inférieure. Enfoncez la butée dans le trou jusqu'à ce que sa tête soit à égalité avec la charnière.



13. Glissez les couvercles de charnière (trousse de quincaillerie) sur chaque charnière.



14. Fixez les couvercles latéraux (trousse de quincaillerie) sur les côtés des charnières en retirant la pellicule de l'adhésif.

**REMARQUE :** On peut se passer de couvercles latéraux dans le cas d'une installation intégrée, l'appareil étant fixé à l'armoire par une vis.

# Instructions d'installation

## INSTALLATION DU PANNEAU DE PORTE

La machine à glaçons est livrée sans recouvrement de porte conventionnel, permettant ainsi la fixation d'un panneau en acier inoxydable ou d'un panneau personnalisé.

**REMARQUE :** Si la direction d'ouverture de la porte doit être changée, il faut procéder **AVANT** de fixer le panneau de porte.

### Panneau de porte

Des panneaux de porte au fini en acier inoxydable avec poignée sont offerts par Électroménagers GE pour fixation sur la machine à glaçons. Voir la section *Accessoires* à la page 10.

Un panneau personnalisé en bois ou une autre matière n'excédant pas 6,8 kg (15 lb) peut être utilisé en respectant les dimensions suivantes :

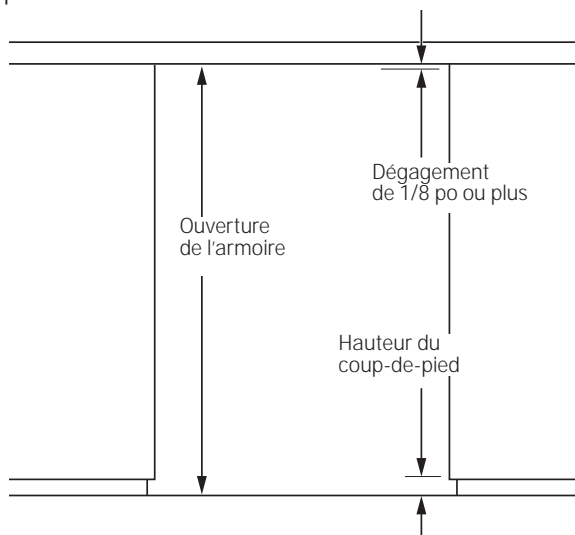
Largeur : 14 7/8 po

Hauteur : entre 29 5/8 et 30 5/8 po

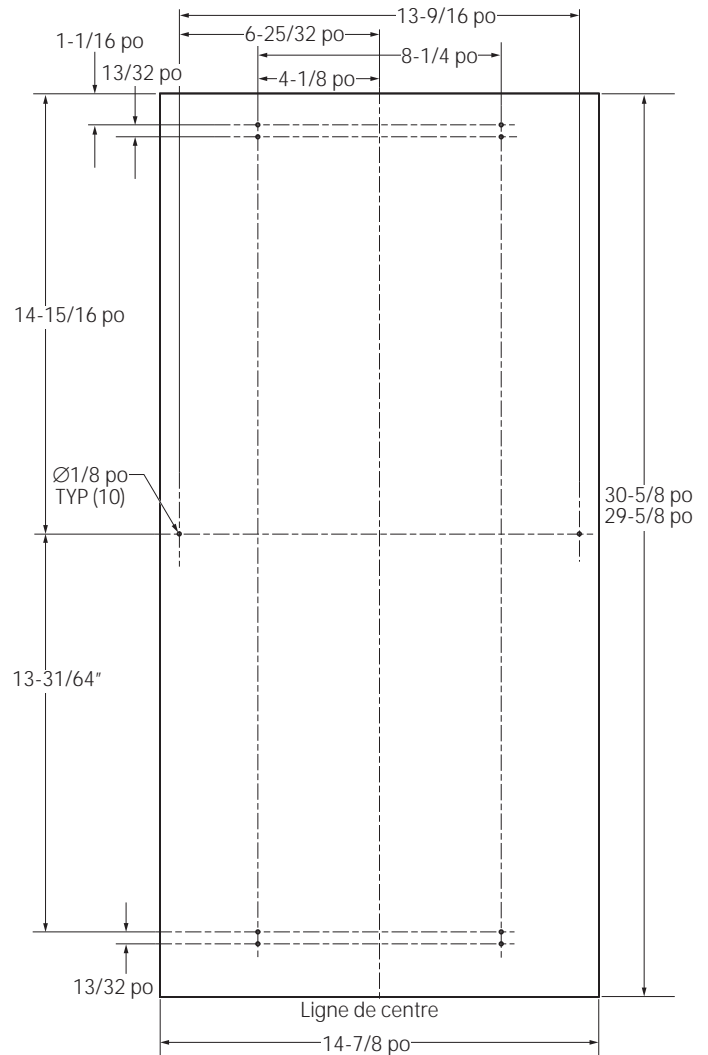
Épaisseur : 5/8 à 3/4 po

### Panneau personnalisé :

1. Mesurez la hauteur totale de l'ouverture de l'armoire où la machine à glaçons sera installée (plancher jusqu'au bas du bord du comptoir de cuisine).
2. Déterminez la hauteur du coup-de-pied (bas de la porte jusqu'au plancher). Elle peut être égale à la hauteur du coup-de-pied de l'armoire adjacente.
3. Le dégagement entre le comptoir et le dessus de la machine à glaçons doit être d'au moins 1/8 po.
4. Soustrayez la hauteur du coup-de-pied et le dégagement, de la hauteur de l'ouverture pour déterminer la hauteur de votre panneau de porte personnalisé.



5. Couper le panneau à la largeur et la hauteur spécifiées.
6. Déterminez la position du haut du panneau. Mesurez et marquez les positions des trous.
7. Percez des trous de guidage sur l'arrière du panneau aux endroits des marques. Utilisez une butée de perçage pour éviter de percer à travers le panneau.



# Instructions d'installation

## INSTALLATION DE LA MACHINE À GLAÇONS (suite)

### INSTALLATION DU PANNEAU DE PORTE (suite)

Si le sens de l'ouverture de porte doit être changé, veuillez procéder avant d'installer le panneau de porte. Voir la page 13.

#### Fixation du panneau de porte

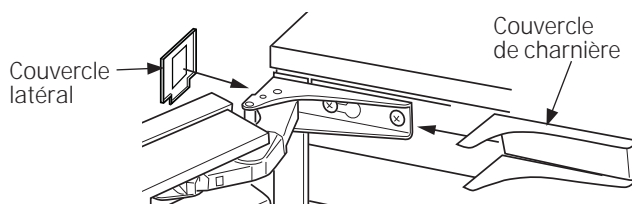
Le panneau sera fixé par 6 vis à tête et 2 vis de mécanique.

1. Enlevez le joint d'étanchéité depuis l'intérieur de la porte et conservez-le pour plus tard.
2. Enlevez toute pellicule de plastique recouvrant le panneau.
3. Placez le panneau de porte sur l'extérieur de la porte et fixez-le avec 2 vis de mécanique dans le centre gauche et le centre droit de la porte.
4. Fixez le panneau sur la porte à l'aide de 6 vis à tête. Dans la zone d'ouverture de la charnière à l'opposé du côté charnière, utilisez les trous de vis les plus à l'extérieur seulement.
5. Placez les couvercles sur les zones d'ouverture des charnières et fixez chaque couvercle sur la porte à l'aide de vis à tête et leurs rondelles.
6. Insérez le capuchon de trou sur la vis posée à l'étape 5.
7. Remettez le joint d'étanchéité à sa position initiale.
8. Fixez la porte à l'armoire à l'aide des vis d'origine.

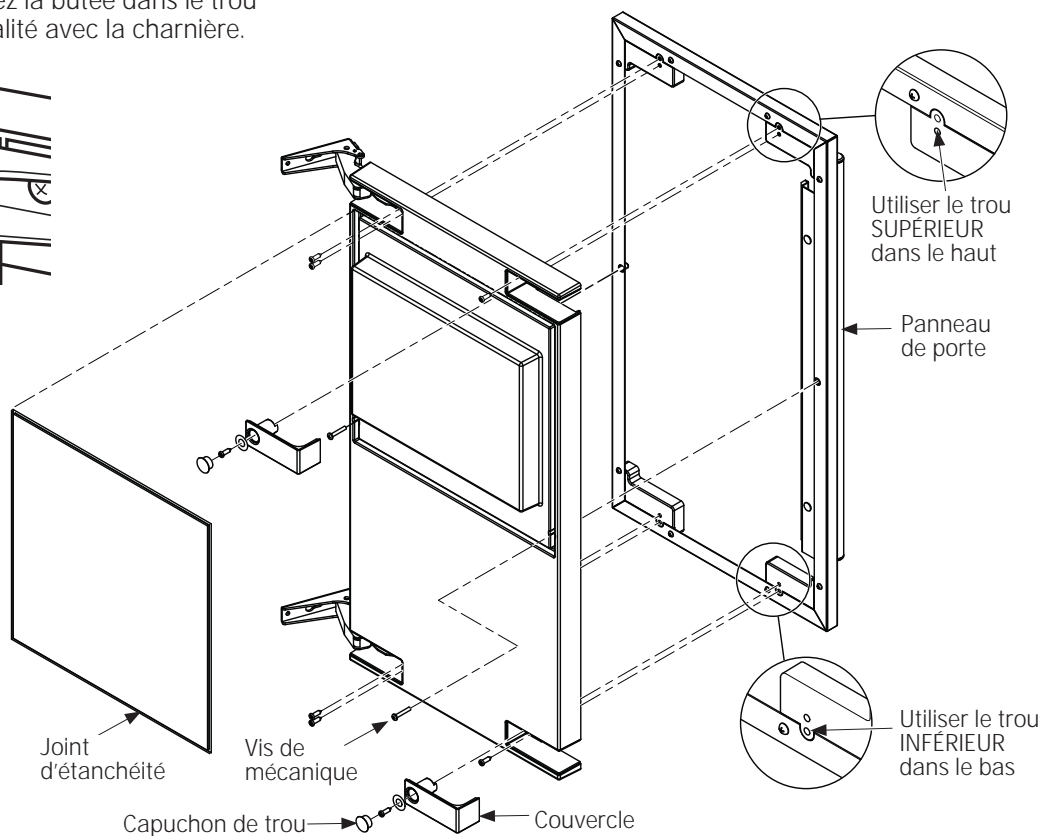
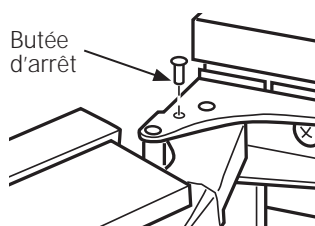
**IMPORTANT:** Dans certaines situations, la porte peut s'ouvrir trop largement et ainsi endommager les armoires adjacentes. Pour l'empêcher, insérez une butée d'arrêt (trousse de quincaillerie) dans le trou existant des charnières supérieure et inférieure. Enfoncez la butée dans le trou jusqu'à ce que sa tête soit à égalité avec la charnière.

9. Glissez les couvercles de charnière (trousse de quincaillerie) sur chaque charnière.
10. Fixez les couvercles latéraux (trousse de quincaillerie) sur le côté des charnières en retirant la pellicule qui recouvre l'adhésif.

**Remarque :** On peut se passer de couvercles latéraux dans le cas d'une installation intégrée, l'appareil étant fixé à l'armoire par une vis.



11. Remettez le coup-de-pied et le panneau de service frontal à leur position initiale et fixez l'armoire à l'aide des vis d'origine.





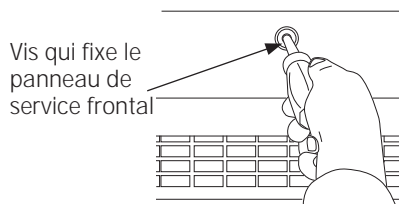
# Instructions d'installation

## PLOMBERIE

Un tuyau en cuivre de ¼ po (D.E.) est recommandé pour l'alimentation d'eau. On peut aussi utiliser des flexibles en acier inoxydable ou des tubes en PVC renforcés. Installez un robinet de sectionnement aisément accessible entre l'alimentation d'eau et l'appareil. Ce robinet ne doit pas être installé derrière l'appareil.

**REMARQUE :** N'utilisez pas de robinets autotaraudeurs.

1. Enlevez le panneau de service frontal.
2. Acheminez le tube à travers le trou droit sur l'arrière jusqu'à l'entrée de l'électrovalve de l'admission d'eau.
3. Posez un raccord à compression sur le tube et raccordez-le à l'entrée de l'électrovalve.



## POMPE DE VIDANGE

### Installation du système de vidange

Une pompe de vidange est offerte pour cette machine à glaçons. On peut se procurer l'ensemble de pompe de vidange numéro UPK3 sur le site [www.GEApplianceparts.com](http://www.GEApplianceparts.com) ou en composant le 877-959-8688. Au Canada, visitez le site [GEAppliances.ca](http://GEAppliances.ca) ou composez le 800.561.3344.

## VIDANGE PAR GRAVITÉ

### Installation du système de vidange

**⚠️ REMARQUER** Des limitations du système de vidange peuvent causer un retour d'eau dans le bac de conservation de la glace et faire fondre celle-ci. La tubulure du système de vidange par gravité doit être ventilée, être exempte de plis et pencher vers le drain du bâtiment. Des coupures antirefoulement sont généralement requises par les codes locaux.

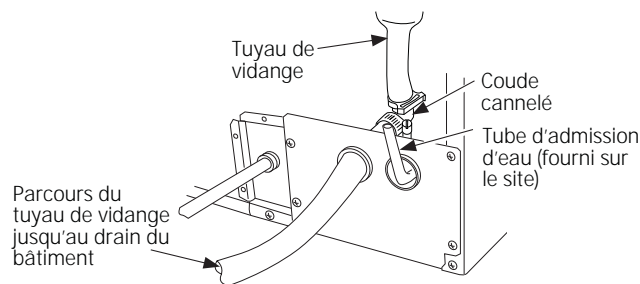
1. Placez la machine à glaçons devant l'ouverture. Ajustez les pieds de nivellement à la hauteur approximative. On peut trouver dans la trousse de quincaillerie des capuchons qui s'encliquettent sur les pieds de nivellement si ceux-ci sont trop visibles une fois de niveau.
2. Enlevez le panneau de service frontal et le panneau noir supérieur.

**REMARQUE :** Si l'ouverture du drain est située dans le plancher sous la tôle de base selon les spécifications de pré-installation, suivez les étapes 3 à 6 pour vidanger l'appareil par la base. Sinon, allez à l'étape 6.

3. Enlevez la bride et le coude cannelé puis retirez la pellicule plastique sur la tôle basale sous le tuyau de vidange.
4. Raccordez un connecteur cannelé droit de 5/8 po au tuyau de vidange, le fixant à l'aide de la bride fournie.
5. Coupez une longueur de 8 po de tuyau Tygon (plastique transparent) de 5/8 D.I. x 7/8 D.E. Glissez un

bout du tube dans la bride, laissant l'autre bout sur le fond de la tôle basale jusqu'à ce que l'appareil soit placé au-dessus du drain de plancher.

6. Acheminez le tube de vidange. Soit a) insérez le tube de vidange à travers la tôle basique, dans le drain de plancher, ou soit b) acheminez le tube de vidange à travers le trou du panneau inférieur arrière, raccordez-le au coude cannelé et fixez-le avec une bride.



7. Réinstaller le panneau arrière supérieur.
8. Reposez le panneau de service. Mettez l'appareil de niveau. On peut trouver dans la trousse de quincaillerie des capuchons qui s'encliquettent sur les pieds de nivellement si ceux-ci sont trop visibles une fois de niveau.

## Alimentation d'eau

Un tube en cuivre de ¼ po (D.E.) est recommandé pour l'alimentation d'eau. On peut aussi utiliser des flexibles en acier inoxydable ou des tubes en PVC renforcés. Installez un robinet de sectionnement aisément accessible entre l'alimentation d'eau et l'appareil. Ce robinet ne doit pas être installé derrière l'appareil.

Le raccordement d'eau se situe à l'arrière de l'armoire. Utilisez le raccord à compression fourni qui est attaché au tube d'admission d'eau à l'arrière de l'armoire.

**Installation intégrée :** Enroulez suffisamment de tube derrière la machine afin que des plis ne se forment pas lorsqu'elle sera poussée dans la cavité.

## INSTALLATION

The ice machine is supplied with a power cord. Do not remove the grounding pin from the cord's plug. Do not use extension cords. Follow all codes. Connect the machine to its own 115v, 15amp circuit.

1. If the electrical outlet for the ice maker is behind the unit, plug it into the unit.
2. Position the unit in the installation opening.
3. Turn on the water supply. Make sure that the icemaker is plugged in and the power is on.
4. Slide the unit into the installation opening, paying special attention to water supply and drain connections. Do not kink!
5. Pour a couple of quarts of water into the ice storage bin; on drain pump equipped machines the drain pump should start and water should pump out. Check for leaks.
6. Replace the service access panel.
7. Level the unit as needed.

## Avant de faire un appel de service...



### Conseils de dépannage

Économisez temps et argent! Consultez d'abord les tableaux des pages suivantes et vous pourriez vous éviter un appel de service.

Problème	Causes possibles	Correctifs
Les glaçons ne sont pas totalement formés	Tartre dans le système de production de glace	Clean the ice making system
Faible capacité	Tuyau de vidange restreint ou eau stagnante dans le bac	Nettoyez les ailettes du condensateur refroidi à l'air.
		Nettoyez le système de production de glace.
		Vérifiez que le tuyau de vidange ne comporte pas de plis.
Absence de glace	L'interrupteur est à la position OFF (Arrêt)	Pressez le bouton ON/OFF (Marche/Arrêt) pour mettre l'appareil sous tension.
	Le disjoncteur a été déclenché	Réarmez le disjoncteur.
	Le débit d'eau est faible	Si le voyant Check Water (Vérifier l'eau) clignote en rouge, alors le débit d'eau est faible.
Le voyant <i>Time to Clean (Nettoyage requis)</i> est allumé		Nettoyez le système de la machine à glaçons selon les instructions de la section <i>Entretien et nettoyage</i> .

## Noise

The ice machine is designed for quiet operation but will make some noise during the ice making cycle. Pendant un cycle de congélation, il est normal d'entendre le ventilateur souffler l'air et la pompe faire circuler l'eau. On peut aussi entendre les glaçons tomber dans le bac de conservation lors de la production.

Si le bruit de la production de glace pose problème, une minuterie pour électroménagers peut être intégrée à l'alimentation électrique. Réglez la minuterie pour éteindre la machine durant les périodes où vous souhaitez faire le silence.

# Garantie de la machine à glaçons.



Toutes les réparations en vertu de la garantie sont fournies par nos Centre de Service d'Usine ou par un technicien autorisé Customer Care®. Pour prévoir une réparation, consultez notre site [GEAppliances.com](http://GEAppliances.com) ou appelez le 800.GE.CARE5 (800.432.2737). Veuillez avoir votre numéro de série et votre numéro de modèle à portée de main lorsque vous appelez pour obtenir un service. **Au Canada**, appelez le 800.561.3344.

Agrafez votre facture ici. Pour bénéficier du service de réparation sous garantie, une preuve de la date d'achat initial est nécessaire.

<b>Pendant la période de garantie de :</b>	<b>GE Appliances remplacera :</b>
<b>Un An</b> A compter de la date d'achat initial	<b>Toute pièce</b> du réfrigérateur qui s'avère défectueuse en raison d'un défaut de matériau ou de fabrication. Pendant la validité de la <b>présente garantie limitée</b> d'un an, GE Appliances fournira également gratuitement la main d'œuvre et le service pour réparer la pièce défectueuse.
<b>Cinq Ans</b> A compter de la date d'achat	<b>Toute pièce du système fermé du réfrigérateur</b> (compresseur, condenseur, évaporateur et tous les tuyaux de raccordement) qui s'avère défectueuse en raison d'un défaut de matériau ou de fabrication. Pendant la validité de la <b>présente garantie limitée de cinq ans</b> , GE Appliances fournira également gratuitement la main d'œuvre et le service pour réparer la pièce défectueuse dans le système fermé du réfrigérateur.

## Ce qui n'est pas couvert par GE Appliances :

- Les déplacements à votre domicile pour vous expliquer l'utilisation de ce produit
- Une installation, livraison ou maintenance défectueuse.
- Une panne du produit par abus d'utilisation, par mauvaise utilisation, par modification ou s'il a été utilisé dans un but autre que celui pour lequel il a été fabriqué.
- Le remplacement des fusibles ou le réenclenchement du disjoncteur du domicile.
- Les dommages causés après la livraison.
- Le remplacement des ampoules, si incluses.
- Tout dommage causé par accident, incendie, inondation ou une catastrophe naturelle.
- Tout dommage fortuit ou indirect causé par des défauts éventuels de cet appareil.
- Le service s'il est impossible d'avoir accès au produit.

**EXCLUSION DES GARANTIES TACITES - Votre recours exclusif est l'échange du produit suivant les modalités de la Garantie Limitée. Toutes garanties tacites, y compris les garanties de valeurs marchandes ou d'adéquation à des fins particulières, sont limitées à une durée d'un an ou à la durée la plus courte autorisée par la loi.**

**Pour les clients des États-Unis :** Cette garantie est étendue à l'acheteur d'origine et aux propriétaires suivants pour tout produit acheté pour une utilisation domestique aux États-Unis. Si le produit est installé dans une région où ne se trouve aucun réparateur autorisé GE Appliances, vous devrez peut-être assumer les frais de transport ou apporter l'appareil à un centre de service autorisé GE Appliances. En Alaska, cette garantie exclut le coût d'expédition ou de dépannage à votre domicile.

Certains états n'acceptent pas d'exclusion ou de limites aux dommages indirects consécutifs. Certains droits particuliers vous sont dévolus en vertu de la présente garantie et peuvent s'accompagner d'autres droits qui varient selon votre lieu de résidence. Pour connaître vos droits juridiques, veuillez consulter le bureau local ou le bureau d'état des affaires aux consommateurs ou le Procureur Général de votre état.

**Garant : États-Unis : GE Appliances, Louisville, KY 40225**

Cette garantie est étendue à l'acheteur d'origine et aux propriétaires suivants pour tout produit acheté aux Canada pour une utilisation domestique aux Canada. Le service à domicile en vertu de la garantie sera fourni dans les régions où il est disponible et où Mabe estime raisonnable de le fournir.

**Garant Canada: MC Commercial, Burlington, Ontario, L7R 5B6**

## Service à la clientèle.

---

### *Site Web appareils électroménagers GE Appliances*

[www.electromenagersge.ca](http://www.electromenagersge.ca)



Vous avez une question ou vous avez besoin d'aide pour votre appareil électroménager? Contactez-nous par Internet au site [www.electromenagersge.ca](http://www.electromenagersge.ca) 24 heures par jour, tous les jours de l'année.

### *Service de réparations*

**1.800.561.3344**



Service de réparations GE Appliances est tout près de vous.  
Pour faire réparer votre électroménager GE Appliances, il suffit de nous téléphoner.

### *Studio de conception réaliste*

Sur demande, GE Appliances peut fournir une brochure sur l'aménagement d'une cuisine pour les personnes à mobilité réduite.

Écrivez: Directeur, Relations avec les consommateurs, Mabe Canada Inc.  
Bureau 310, 1 Factory Lane  
Moncton, N.B. E1C 9M3



### *Prolongation de garantie*

[www.electromenagersge.ca](http://www.electromenagersge.ca)



Achetez un contrat d'entretien GE Appliances avant que votre garantie n'expire et bénéficiez d'un rabais substantiel. Ainsi le service après-vente GE Appliances sera toujours là après expiration de la garantie.

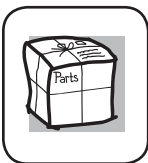
Visitez notre site Web ou appelez-nous au 1.800.290.9029

### *Pièces et accessoires*

Ceux qui désirent réparer eux-mêmes leurs électroménagers peuvent recevoir pièces et accessoires directement à la maison (cartes VISA, MasterCard et Discover acceptées).

**Les directives stipulées dans le présent manuel peuvent être effectuées par n'importe quel utilisateur. Les autres réparations doivent généralement être effectuées par un technicien qualifié. Soyez prudent, car une réparation inadéquate peut affecter le fonctionnement sécuritaire de l'appareil.**

Vous trouverez dans les pages jaunes de votre annuaire le numéro du Centre de service Mabe le plus proche. Autrement, appelez-nous au 1.800.661.1616.



### *Contactez-nous*

Si vous n'êtes pas satisfait du service après-vente dont vous avez bénéficié :

Premièrement, communiquez avec les gens qui ont réparé votre appareil.

Ensuite, si vous n'êtes toujours pas satisfait envoyez tous les détails—numéro de téléphone compris—au

Directeur, Relations avec les consommateurs, Mabe Canada Inc.

Bureau 310, 1 Factory Lane

Moncton, N.B. E1C 9M3



### *Inscrivez votre appareil électroménager*

[www.electromenagersge.ca](http://www.electromenagersge.ca)



Inscrivez votre appareil électroménager en direct, aussitôt que possible. Cela améliorera nos communications et notre service après-vente. Vous pouvez également nous envoyer par la poste le formulaire d'inscription joint à votre documentation.



# Máquina de hielo

*Instrucciones De Seguridad* . . . 2, 3  
 Retire el embalaje . . . . . 4

*Operating Instructions*  
*Controles y Funciones* . . . . . 4, 5  
 Activación de la máquina de hielo . . . . . 5  
 Cuidado y limpieza . . . . . 6-8

*Installation Instructions*  
 Conexión a Tierra de la Máquina  
 de Hielo . . . . . 8  
 Antes de Empezar . . . . . 8  
 Ubicación y Preparación . . . . . 8, 9  
 Instalación de la Máquina  
 de Hielo . . . . . 9-15  
 Planificación Avanzada . . . . . 10  
 Accesorios . . . . . 10  
 Dimensiones . . . . . 11  
 Apertura de la Puerta . . . . . 12  
 Panel de la Puerta . . . . . 13, 14  
 Plomería . . . . . 15  
 Instalación . . . . . 15

*Solucionar problemas* . . . . . 16  
 Ruido . . . . . 16

*Servicio al consumidor*  
 Garantía . . . . . 17  
 Servicio al consumidor . . . . . 18

Manual del propietario e  
instalación

UCC15

*Escriba los números de modelo  
y de serie aquí:*

*Nº de Modelo* \_\_\_\_\_

*Nº de Serie* \_\_\_\_\_

Busque estos números en una etiqueta  
en el revestimiento de la caja interna  
superior de la unidad sobre el frente.

# IMPORTANTE INFORMACIÓN DE SEGURIDAD. LEA TODAS LAS INSTRUCCIONES ANTES DE SU USO.



## Sitio Web de Electrodomésticos de GE

Para más información sobre el funcionamiento de su refrigerador, visite [www.GEAppliances.com](http://www.GEAppliances.com) o comuníquese al 1-800-GECARES (432-2737).

### INFORMACIÓN DE SEGURIDAD DEL REFRIGERADOR

**!** Este es el símbolo de alerta de seguridad. El mismo alerta sobre potenciales riesgos de muerte o lesiones tanto para usted como para otras personas. Todos los mensajes de seguridad estarán a continuación del símbolo de alerta de seguridad y con la palabra "PELIGRO", "ADVERTENCIA" o "PRECAUCIÓN". Estas palabras se definen como:

**! PELIGRO** Indica una situación de riesgo que, si no se evita, **resultará** en la muerte o en lesiones graves.

**! ADVERTENCIA** Indica una situación de riesgo que, si no se evita, **podría** resultar en la muerte o en lesiones graves.

**! PRECAUCIÓN** Indica una situación de riesgo que, si no se evita, **podría** resultar en lesiones menores o moderadas.

**! ADVERTENCIA** A fin de reducir el riesgo de incendio, explosión, descargas eléctricas o lesiones al usar su refrigerador, siga estas precauciones básicas de seguridad:

- Esta máquina de hielo se deberá instalar y ubicar adecuadamente de acuerdo con las Instrucciones de Instalación antes de ser usado.
- Desenchufe la máquina de hielo antes de hacer reparaciones, reemplazar una lámpara de luz o hacer una limpieza.  
Nota: La corriente que va al refrigerador no puede ser desconectada por ninguna configuración del panel de control.  
Nota: Las reparaciones deberán ser realizadas por un Profesional del Servicio Técnico calificado.
- Reemplace todas las piezas y paneles antes del uso.
- No guarde ni use gasolina u otros vapores inflamables y líquidos cerca de este u otros electrodomésticos.
- Debido a los posibles riesgos sobre la seguridad bajo ciertas condiciones, recomendamos enfáticamente no usar prolongadores. Sin embargo, si se debe usar un prolongador, es absolutamente necesario que sea un prolongador para electrodoméstico de la lista UL (en Estados Unidos) o uno certificado por CSA (en Canadá), de 3 cables con conexión a tierra, que cuente con un enchufe con conexión a tierra y un tomacorriente con una graduación eléctrica del cable de 15 amperes (mínimo) y 120 volts.
- A fin de evitar riesgos de que los niños sufran asfixia o queden atrapados, retire la tapa de cualquier electrodoméstico antes de deshacerse o dejar de usar el mismo.
- No permita que los niños se trepen, paren o cuelguen de la manija de la puerta del electrodoméstico. Podrían sufrir lesiones graves.
- El limpiador de sarro de la máquina de hielo contiene ácidos. Los ácidos pueden producir quemaduras. Si un limpiador concentrado entra en contacto con la piel, limpie el mismo con agua. Si se traga, NO induzca el vómito. Tome grandes cantidades de agua o leche. Llame al Médico de inmediato. Mantenga los mismos fuera del alcance de los niños.

### Advertencias de la Proposición 65 del Estado de California:

**! ADVERTENCIA** Este producto contiene uno o más químicos que el Estado de California entiende que producen cáncer y defectos en el nacimiento u otros daños reproductivos.

**! PRECAUCIÓN** A fin de reducir el riesgo de lesiones al usar el electrodoméstico, siga estas precauciones básicas de seguridad.

- Mantenga los dedos fuera de los espacios de "riesgo de lastimaduras"; los despejes entre las puertas y entre las puertas y el gabinete son necesariamente pequeños. Tenga el cuidado de cerrar las puertas cuando los niños se encuentren en el área.
- Evite el contacto con las partes móviles del mecanismo eyector y/o con el elemento de calefacción que libera los cubos. No coloque los dedos ni las manos en el mecanismo de la máquina de hielo automática mientras la misma esté enchufada.

### INSTALACIÓN

**! ADVERTENCIA**  **Riesgo de Explosión.**

Mantenga cualquier material y vapores inflamables, tales como gasolina, alejados del electrodoméstico. Si no se cumple con esto se podrá producir una explosión, incendio o la muerte.

## AVISO DE USO EN ÁREAS EXTERIORES:

**EVITE EL CONGELAMIENTO:** La unidad podrá sufrir daños graves si se deja o utiliza a temperaturas que superan los límites que figuran en este manual. Dicho daño NO está cubierto por la garantía.

**MANTÉNGALA SECA:** No la ubique en áreas bajas donde se produzcan charcos.

**CUENTE CON SOMBRA:** El calor del sol reducirá la capacidad de la unidad de fabricar y almacenar el hielo, y la radiación ultravioleta del sol puede potencialmente dañar los componentes plásticos de la unidad.

**SUMINISTRO DE AGUA:** Evite que la manguera o la tubería queden expuestas al sol durante mucho tiempo. La tubería plástica de suministro de agua debe estar calificada para uso con agua potable e incluir la protección contra los rayos UV. Se recomienda el uso de tuberías de cobre.

**PREVENCIÓN CONTRA EL REFLUJO:** La unidad incluye prevención contra el reflujo; no se requiere ningún control de válvulas adicional.

**DESAGÜE:** NO realice el desagüe en una piscina ni en el suelo.

## CONEXIÓN DE LA ELECTRICIDAD



**ADVERTENCIA**

**Riesgo de Descarga Eléctrica.**

Enchufe en un tomacorriente con conexión a tierra de 3 cables.

No elimine el cable de conexión a tierra.

No use un adaptador.

Si no se siguen estas instrucciones se podrá producir a muerte, incendios o descargas eléctricas.

**Nunca, bajo ninguna circunstancia, corte o elimine el tercer cable (tierra) del cable de corriente.**

**Para su seguridad personal, este electrodoméstico debe estar adecuadamente conectado a tierra.**

El cable de corriente de este electrodoméstico contiene un enchufe de 3 cables (conexión a tierra) que se conecta a un tomacorriente de pared estándar de 3 cables (conexión a tierra) para minimizar la posibilidad de riesgos de descargas eléctricas por parte del mismo.

Contrate a un electricista calificado para que controle el tomacorriente y el circuito eléctrico, a fin de asegurar que el enchufe esté correctamente conectado a tierra.

En caso de contar con un tomacorriente de pared de 2 cables, es su responsabilidad y obligación reemplazarlo por un tomacorriente de pared de 3 cables correctamente conectado a tierra. No use un adaptador.

La máquina de hielo siempre debe estar enchufada en su

propio circuito de 115 voltios, 60 Hz, 15 amp. Esto garantiza el mejor funcionamiento y además previene la sobrecarga de los circuitos del hogar, lo cual podría ocasionar riesgos de incendio debido al recalentamiento de cables.

Nunca desenchufe la máquina de hielo tirando del cable de corriente. Siempre tome su enchufe firmemente y empuje el mismo hacia afuera para retirarlo.

Repare o reemplace de inmediato todos los cables de corriente pelados o con cualquier tipo de daño. No use un cable con cortaduras o abrasión sobre su extensión o extremos.

Al mover la máquina de hielo, se deberá tener cuidado de que no ruede sobre ni dañe el cable de corriente.

## FORMA ADECUADA DE DESCARTAR SU ANTIGUO ELECTRODOMÉSTICO

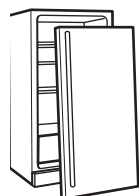


**ADVERTENCIA**

**Riesgo de que los niños sufran asfixia o y queden atrapados.**

Retire la puerta del electrodoméstico antes de descartar el mismo. Si esto no se realiza, los niños podrán quedar atrapados y ocasionar la muerte o daño cerebral.

### IMPORTANTE:



Que un niño quede atrapado o que sufra una asfixia no son problemas del pasado. Los refrigeradores antiguos o abandonados aún son peligrosos, incluso aunque se conserven por "sólo unos pocos días". Si se deshacerá de su antiguo refrigerador, siga las siguientes instrucciones a fin de evitar accidentes.

**Antes de Descartar su Antiguo Electrodoméstico:**

- Retire las puertas.
- Deje los componentes internos en su lugar de modo que los niños no puedan trepar dentro con facilidad.

### Refrigerantes

Todos los productos de refrigeración cuentan con refrigerantes, que de acuerdo con la ley federal deberán ser eliminados antes de descartar el producto. Si se deshacerá de un producto de refrigeración antiguo, consulte a la compañía a cargo sobre cómo deshacerse del mismo.

**LEA Y SIGA ESTA INFORMACIÓN DE SEGURIDAD CUIDADOSAMENTE.**

**GUARDE ESTAS INSTRUCCIONES**

## Retire el embalaje

---

**IMPORTANTE:** No retire ninguna etiqueta de instrucciones permanente dentro de la máquina de helos ni la Ficha Técnica colocada detrás del panel de acceso inferior.

- Retire la cinta y cualquier etiqueta de su máquina de hielo antes del uso (excepto la etiqueta del modelo y el número de serie).

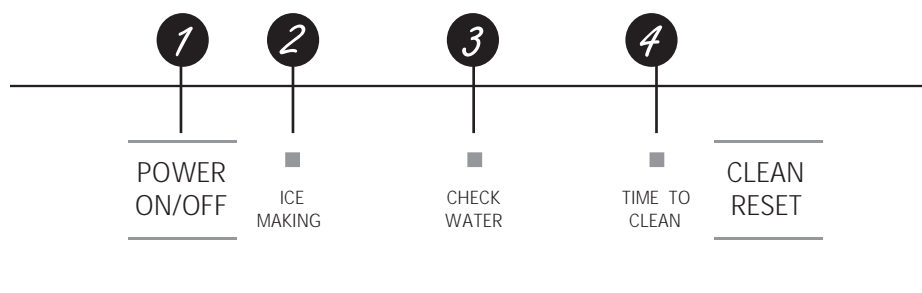
Para retirar cualquier cinta o pegamento que haya quedado, frote el área vivamente con su pulgar. Los residuos de cinta o pegamento se pueden retirar fácilmente frotando con los dedos una cantidad pequeña de jabón líquido para lavar platos sobre el adhesivo. Limpie con agua caliente y seque.

- No use instrumentos puntiagudos, no frote alcohol, no use líquidos inflamables, ni limpiadores abrasivos para retirar cinta o pegamento. Estos productos pueden dañar la superficie de la máquina de hielo. Para más información, lea la sección de *Instrucciones Importantes de Seguridad*.

## Acerca de los controles y funciones.

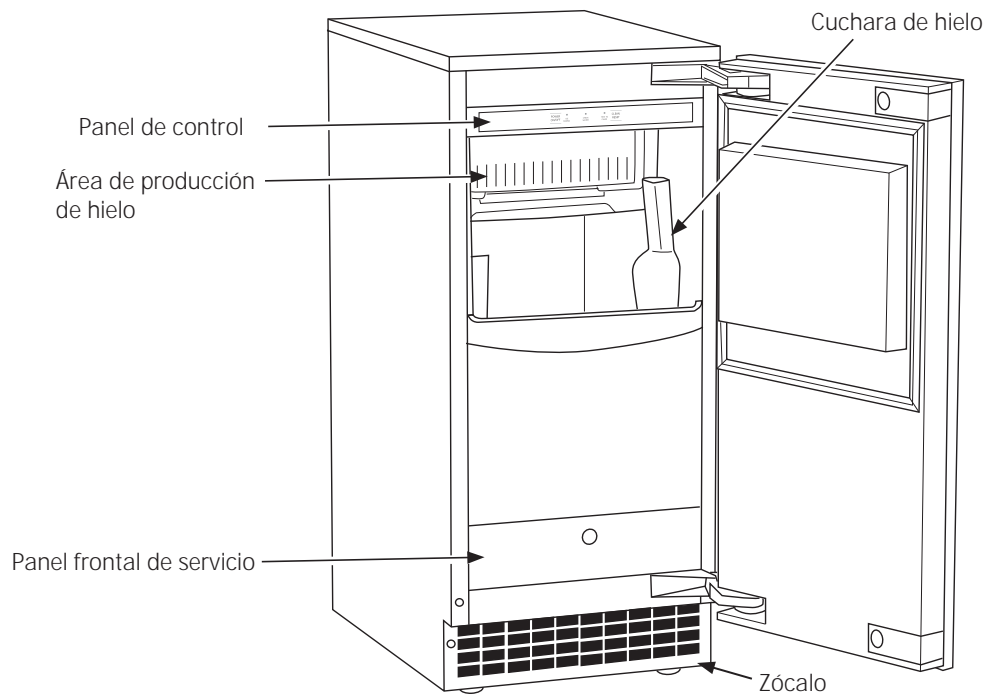
---

### Controles



- 1** POWER ON/OFF (Encender/ Apagar) – Active esta función para encender o apagar la máquina de hielo.
- 2** ICE MAKING (Producción de Hielo) – Brilla en blanco cuando la unidad está en ON (Encender).
- 3** CHECK WATER (Controlar el Agua) – Brilla en rojo cuando no hay suministro de agua a la máquina.
- 4** TIME TO CLEAN (Hacer la Limpieza) – Brilla en amarillo cuando es el momento de limpiar la máquina. La luz se encenderá luego de 6 meses de uso. Permanecerá encendida hasta que el sistema de la máquina de hielo sea limpiado utilizando el proceso de la sección de Cuidado y Limpieza.
- 5** CLEAN RESET (Borrar y Reiniciar) – Se presiona con el botón Power (Encender) durante 5 segundos para iniciar el proceso de limpieza (consulte la sección de Cuidado y Limpieza).





## Activación de la máquina de hielo.

Esta máquina hace entrar el aire de la temperatura ambiente por la parte inferior derecha frontal y hace salir el aire caliente por la parte inferior izquierda frontal. Restringir el flujo de aire o utilizar la máquina en un ambiente caliente o frío afectará de forma adversa la habilidad de la máquina de hielo para realizar la producción.

Cuando la puerta es abierta, el panel de control, el área para hacer hielo y la hielera están visibles. La cuchara está ubicada en un recipiente junto a la pared derecha.

Se trata de un modelo de desagüe por gravedad que debe contar con una conexión de desagüe del edificio por debajo del nivel del tubo de drenaje en la parte trasera del gabinete. Una bomba puede ser instalada, la cual puede forzar el desagüe hasta un máximo de 10 pies, permitiendo su colocación donde el desagüe por gravedad no está disponible. Para más información sobre la bomba de desagüe, consulte la sección de *Accesorios* en la página 10.



### Inicio

1. Abra el suministro de agua.
2. Encienda la corriente eléctrica.
3. Presione y libere el botón ON/OFF (Encender/ Apagar) para iniciar la máquina. La luz ICE MAKING (Producción de Hielo) junto al interruptor de encendido/ apagado brillará en blanco.
4. El agua comenzará a circular en la unidad. Cuando el depósito esté lleno, el agua comenzará a ser drenada desde la máquina. Luego de unos pocos minutos el compresor, la bomba de agua y el motor del ventilador comenzarán a funcionar a medida que el primer ciclo de producción de hielo comience.

Ningún ajuste es necesario.

En aproximadamente 10 minutos, el hielo caerá en la hielera. La máquina produce 24 cubos gourmet por vez. Es normal que las primeras tandas de hielo se derritan a medida que la hielera se enfría. Llevará entre 8 y 10 horas de producción continua llenar la hielera. Cuando la hielera esté llena, la máquina de hielo se apagará. Se reiniciará automáticamente cuando el nivel de hielo se vea reducido, ya sea por el uso o por el derretimiento normal.

Descarte la primera producción de hielo.

## Care and cleaning.

### Limpeza de la Parte Exterior

La puerta y la manija de la puerta de acero inoxidable se pueden limpiar con un limpiador de acero inoxidable disponible comercialmente. Los limpiadores con ácido oxálico tales como Bar Keepers Friend Soft Cleanser™ eliminarán el óxido, deslustres y pequeñas manchas sobre la superficie.

Use sólo un limpiador líquido libre de material abrasivo y frote en la dirección de las líneas del cepillo con una esponja suave y húmeda. No use cera para electrodomésticos ni pule sobre el acero inoxidable.

### Limpeza de la Hielera

La hielera debe ser higienizada de forma ocasional. Normalmente es conveniente higienizar la misma luego de que el sistema de producción de hielo haya sido limpiado y que la hielera esté vacía.

Se puede hacer una solución de limpieza con 1 onza de blanqueador hogareño y 2 galones de agua caliente (95°F

- 115°F). Use una tela limpia y limpie el interior de la hielera con la solución de limpieza. Vierta parte de la solución en el desagüe.

Deje que se seque con el aire.

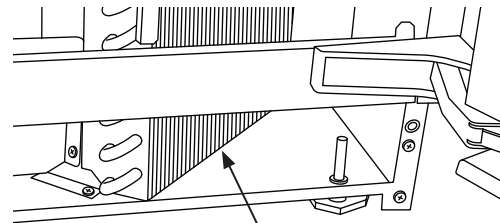
### Limpeza del Condensador

El condensador cuenta con alerones y tubos que pueden atascarse con suciedad y pelusas.

**NOTA:** El funcionamiento al aire libre puede llevar a una acumulación rápida de desechos, tales como hojas y otro tipo de vegetación. De forma frecuente, se deberá controlar que no haya desechos en el condensador. Limpie el mismo siempre que los alerones estén obstruidos.

#### Para limpiarlo:

1. Retire el zócalo y el panel frontal de servicio.
2. Ubique la superficie del condensador.
3. Aspire la superficie a fin de eliminar todo el polvo y la pelusa.



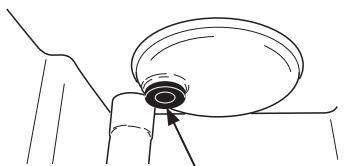
Superficie el condensador

**AVISO** No abolle los alerones.

4. Vuelva a colocar el zócalo y el panel frontal de servicio en sus posiciones originales. Adhiera dichas partes al gabinete usando los tornillos originales.

### Adaptación para el Invierno

1. Limpie el sistema de fabricación de hielo de acuerdo con las instrucciones anteriores.
2. Abra la puerta y presione el botón **ON/OFF (Encender/ Apagar)** para apagar la máquina de hielo.
3. Cierre el suministro de agua.
4. Drene el depósito de agua retirando el bloqueador de goma debajo del depósito. Está ubicado cerca de la pared trasera de la hielera.



Bloqueador de goma

5. Desconecte la tubería de agua entrante a través de la válvula de entrada de agua.
6. Abra la puerta. Presione el botón **ON/OFF (Encender/ Apagar)** para encender la máquina de hielo.
7. Haga circular aire a través de la válvula de entrada de agua. Puede ser usada una bomba para inflar llantas.
8. Los modelos con una bomba de desagüe instalada deberán contar con aproximadamente ½ galón de anticongelante R.V. (propilenglicol) dentro del desagüe de la hielera.

**NOTA:** NO se deberá usar anticongelante para autos.

7. Apague y desenchufe la máquina.

## Eliminación del Sarro del Sistema de Producción de Hielo

La luz de TIME TO CLEAN (Hacer la Limpieza) se encenderá luego de 6 meses de uso. Permanecerá encendida hasta que el sistema de producción de hielo haya sido limpiado.

Debe usar guantes de goma al usar el limpiador de sarro. Para ordenar el limpiador de sarro, visite [GEApplianceParts.com](http://GEApplianceParts.com) o llame al 877-959-8688. Ordene la pieza número WX08X42873.

### ADVERTENCIA

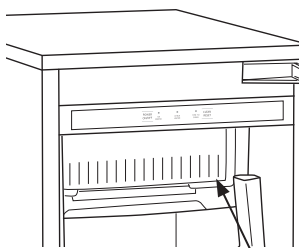


El limpiador de sarro de la máquina de hielo contiene ácidos. Los ácidos pueden producir quemaduras. Si un limpiador concentrado entra en contacto con la piel, limpie el mismo con agua. Si se traga, NO induzca el vómito. Tome grandes cantidades de agua o leche. Llame al Médico de inmediato. Mantenga los mismos fuera del alcance de los niños.

1. Retire todo el hielo de la hielera. Descarte el hielo y guarde el mismo en una heladera portátil o hielera portátil.
2. Mantenga presionado el botón **ON/OFF** (Encender/ Apagar) durante 3 segundos hasta que la luz blanca se apague.

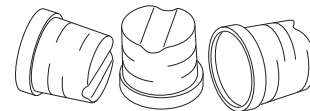


3. Mantenga presionados los botones **CLEAN-RESET** (Borrar-Reiniciar) y **ON/OFF** (Encender/ Apagar) durante 5 segundos. La luz **TIME TO CLEAN** (Hacer la Limpieza) titilará.



Vierta limpiador de sarro

4. Vierta 8 onzas de limpiador de sarro de la máquina de hielo en el depósito de esta última.
5. Utilice la máquina durante aproximadamente ½ hora.
6. Presione y libere el interruptor **ON/OFF** (Encender/ Apagar). La máquina comenzará a eliminar la solución de limpieza.
7. Utilice la máquina durante otra ½ hora.
8. Presione y libere el interruptor **ON/OFF** (Encender/ Apagar). La máquina detendrá el proceso de limpieza.
9. Vierta un galón de agua caliente en el cesto y deje correr el desagüe.
10. Elimine el sarro mineral del cobertor del cesto mezclando limpiador de sarro de la máquina de hielo y agua caliente, y usando dicha solución para eliminar el sarro frotando sobre el cobertor.
11. Enjuague el cobertor con agua caliente.
12. Higienice el interior del cesto.
13. Reemplace el hielo eliminado en el paso 1, si corresponde.
14. Presione y libere el botón **ON/OFF** (Encender/ Apagar) para reiniciar la producción de hielo.
15. La cuchara del hielo debe ser lavada de forma regular y es de uso seguro en lavavajillas.



Los cubos gourmet normales son cilíndricos. Si los cubos gourmet son irregulares o les falta forma, el sarro mineral debe ser eliminado del sistema de producción de hielo.

**Nota:** El cesto está aislado y no está refrigerado, de modo que la forma del hielo cambiará en la hielera, ya que es normal que el hielo se derrita.

# Instrucciones para la instalación

# Máquina de Hielo

Si tiene preguntas, llame al 1.800.GE.CARES o bien visite nuestra página Web: [GEAppliances.com](http://GEAppliances.com)

## CONEXIÓN A TIERRA DE LA MÁQUINA DE HIELO

 **ADVERTENCIA** Riesgo de Descarga Eléctrica.

Si no se siguen estas instrucciones se podrá producir a muerte, incendios o descargas eléctricas.

El cable de corriente de este electrodoméstico contiene un enchufe de 3 cables (conexión a tierra) que se conecta a un tomacorriente de pared estándar de 3 cables (conexión a tierra) para minimizar la posibilidad de riesgos de descargas eléctricas por parte del mismo.

Contrate a un electricista calificado para que controle el tomacorriente y el circuito eléctrico, a fin de asegurar que el enchufe esté correctamente conectado a tierra.

En caso de contar con un tomacorriente de pared de 2 cables, es su responsabilidad y obligación reemplazarlo por un tomacorriente de pared de 3 cables correctamente conectado a tierra.

**NUNCA, BAJO NINGUNA CIRCUNSTANCIA, CORTE O ELIMINE EL TERCER CABLE (TIERRA) DEL CABLE DE CORRIENTE.**

**NO USE UN ENCHUFE ADAPTADOR PARA CONECTAR EL ELECTRODOMÉSTICO A UN TOMACORRIENTE DE 2 PATAS.**

**NO USE UN PROLONGADOR CON ESTE ELECTRODOMÉSTICO.**

## UBICACIÓN Y PREPARACIÓN DE LA MÁQUINA DE HIELO

Esta máquina de hielo fue diseñada para uso interior, en un ambiente controlado o en exterior dentro de ciertos límites.

Está compuesta por dos sistemas principales: el sistema de producción de hielo y el sistema de almacenamiento de hielo. El sistema de producción de hielo es un flujo continuo que fabrica hielo cuando el nivel de hielo es bajo y se detiene cuando está completo.

**IMPORTANT:** Nunca guarde nada en la hielera que no sea hielo. Los objetos como las botellas de vino o cerveza no sólo son antihigiénicas, sino que también sus etiquetas se pueden salir y bloquear el desagüe.

**IMPORTANT:** Nunca permita que una máquina funcione sin una limpieza regular. La máquina tendrá una mayor durabilidad si se mantiene limpia. Se deberá realizar una limpieza regular por lo menos cada un año, y preferentemente dos. Algunas condiciones del agua harán que sea necesaria incluso una frecuencia de limpieza mayor de la sección de producción de hielo, y algunas alfombras o mascotas harán que sea necesaria una frecuencia de limpieza mayor del condensador.

## Especificaciones

La máquina de hielo funcionará de forma adecuada dentro de los límites, pero funciona mejor entre las temperaturas de 70°F y 80°F.

- Temperatura mínima del aire: 50°F (10°C)
- Temperatura máxima del aire 100°F (38°C)
- Temperatura mínima del agua: 40°F (4.5°C)
- Temperatura máxima del agua 100°F. (38°C)
- Presión mínima del agua: 20 psi (1.4 bar)
- Presión máxima del agua: 80 psi (5.5 bar)

## Límites de voltaje eléctrico:

- Mínimo - 104 voltios
- Máximo - 126 voltios

## ANTES DE EMPEZAR

Lea estas instrucciones completa y cuidadosamente.

- **IMPORTANTE** – Observe todos los códigos y órdenes de ley. Guarde estas instrucciones para uso del inspector local.
- **Nota al instalador** – Asegúrese de dejar estas instrucciones con el consumidor.
- **Nota al consumidor** – Conserve estas instrucciones para referencia futura.
- **Nivel de destreza** – La instalación de este aparato requiere de destrezas mecánicas básicas.
- **Tiempo de ejecución** – La instalación puede variar 30 minutos para la Instalación de la Tubería de Agua
- La instalación apropiada es la responsabilidad del instalador.
- La falla del producto debido a una instalación inadecuada no está cubierta por la garantía.

# Instrucciones de Instalación

## INSTALACIÓN DE LA MÁQUINA DE HIELO

### UBICACIÓN Y PREPARACIÓN DE LA MÁQUINA DE HIELO (Cont.)

#### Calidad del Agua

Toda el agua, incluyendo el agua potable suministrada por las municipalidades, contiene algunas impurezas o minerales. El agua absorbe impurezas del aire a través de la lluvia y/o al fluir a través del suelo. Algunas de estas impurezas son partículas sólidas. Las mismas son conocidas como sólidos suspendidos, y un pequeño filtro de partícula los elimina. Otras impurezas están químicamente relacionadas con las moléculas del agua y no pueden ser filtradas. Éstas se conocen como sólidos disueltos.

El hielo producido por esta máquina poseerá un contenido mineral inferior que el agua de la cual se produjo. Esto se debe al método de producción de hielo. Un agua más pura se congelará primero en los moldes de producción de hielo. La razón de esto es que cualquier cosa disuelta en agua reduce la temperatura de congelamiento del agua. Esto concentra la mayoría de las impurezas del depósito de agua de la máquina de hielo, donde se pueden formar depósitos duros conocidos como sarro. La máquina disuelve la concentración de minerales al llenar de forma excesiva el depósito durante el ciclo de cultivo (con el exceso de agua corriendo a través del desagüe). El uso del agua varía de acuerdo con las temperaturas del aire y del agua. Entre 2 y 4 pintas de agua fluyen hacia la unidad en cada ciclo. Entre 1 y 3.5 pintas de esta enjuagan el depósito y descienden por el desagüe.

Algunas impurezas inevitablemente permanecerán, y se adherirán a las piezas de la máquina. Esto hará que algunos cubos de hielo queden mal formados. Finalmente, **el sarro mineral acumulado puede acortar la vida de la máquina.**

Para que la máquina se mantenga funcionando correctamente, estas impurezas o minerales deberán ser disueltas de forma regular con limpiadores ácidos. Las instrucciones para realizar esto pueden ser encontradas en la sección de Cuidado y Limpieza.

#### Filtros y Tratamiento

En general, siempre es una buena idea filtrar el agua. Un filtro de agua apropiado puede eliminar el gusto y los olores como también las partículas. Recomendamos el uso de un Filtro de Agua de GE en su tubería de entrada de agua tal como el Modelo de GE Número GXRLQ. Para revisar las instrucciones de instalación y determinar qué filtro será el adecuado para su aplicación, visite [www.geappliances.com](http://www.geappliances.com). En Canadá, visite [www.GEAppliances.ca](http://www.GEAppliances.ca). Algunos otros métodos de tratamiento del agua para sólidos disueltos incluyen ósmosis inversa, y alimentadores de polifosfato.

#### Agua R.O.

Esta máquina puede ser suministrada con agua por ósmosis inversa, pero la conductividad del agua no debe ser inferior a 10 microSiemens/cm. Un sistema de ósmosis inversa debe incluir un tratamiento posterior para satisfacer la potencial agresividad del agua por ósmosis inversa. No se recomienda el agua desionizada.

Debido a que los ablandadores de agua intercambian un mineral por otro, es posible que el agua ablandada no mejore las condiciones del agua cuando se use con máquinas de hielo. Cuando el agua sea muy dura, es posible que el agua ablandada resulte en cubos blancos y blandos que queden pegados.

Si tiene dudas sobre el agua, comuníquese con un especialista local en uso de agua para acceder a recomendaciones sobre el tratamiento del agua.

#### Información General de la Instalación

La máquina de hielo debe:

- estar conectada a agua fría y potable.
- estar conectada a un desagüe.
- estar conectada al suministro de corriente apropiado.
- poder hacer circular aire a través de las ventilaciones en el frente

**NOTA:** No la empotre de modo que la puerta quede encastrada.

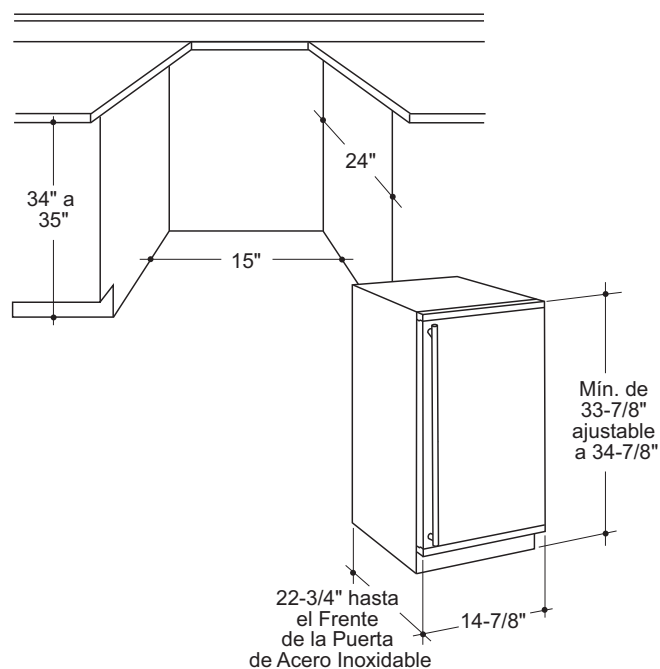
# Instrucciones de Instalación

## INSTALACIÓN DE LA MÁQUINA DE HIELO (Cont.)

### PLANIFICACIÓN AVANZADA

**⚠ PRECAUCIÓN** Debido a un peso excesivo, SE REQUIERE QUE DOS PERSONAS MUEVAN E INSTALEN ESTA máquina de hielo. Si esto no se cumple, se podrán producir lesiones en la espalda u otras heridas.

### DIMENSIONES DEL PRODUCTO Y ESPACIO



### Notas de Instalación

Una bomba de desagüe está disponible para esta máquina de hielo. El número del kit de la bomba de desagüe es UPK3 y está disponible en [www.GEApplianceparts.com](http://www.GEApplianceparts.com) o llamando al 877-959-8688. En Canadá, visite [www.GEAppliances.ca](http://www.GEAppliances.ca) o comuníquese al 800.561.3344.

**Instalación Empotrada:** Si un piso con terminación será instalado en el área luego de haber empotrado la máquina de hielo, se deberán instalar cuñas del grosor del piso que se colocará debajo de la unidad, a fin de mantener la máquina nivelada con el nivel del piso planificado.

**NOTA:** La conexión del agua está en la parte trasera y suma unas pocas pulgadas a la profundidad del gabinete.

**Instalación sobre una losa:** Necesitará instalar una bomba de desagüe al electrodoméstico y bombear el agua hasta el punto de desagüe. Consulte la sección de *Accesorios*. Las bombas bombearán hasta una altura de 1 piso (10 pies).

**Instalación en un entrepiso o sótano:** Se podrá usar el desagüe por gravedad o una bomba. Para usar una bomba, consulte la sección de *Accesorios*. Si no hay suficiente espacio detrás de la máquina para un receptáculo de desagüe/desechos, el desagüe deberá estar por debajo del piso.

**NOTA:** Cuando se instale en un rincón, es posible que la apertura de la puerta se vea limitada debido al contacto de la manija con la pared o la cara del gabinete.

Es necesario contar con un suministro de agua. Los suministros de agua varían en el grado del contenido mineral. El agua con alto nivel de contenido mineral requerirá un mantenimiento más frecuente. La filtración del agua puede mejorar el gusto del hielo y también reducir parte de la acumulación de minerales.

### ACCESORIOS

Están disponibles paneles acabados para puertas de acero inoxidable con manijas a través de GE Appliances, los cuales se pueden adherir a la máquina de hielo. Los kits de los paneles son:

- ZIP8OSS - Puerta de acero inoxidable con Manijas Estilo Euro
- PIP7OSS - Puerta de acero inoxidable con Manijas Estilo Profile
- CIP75SS - Puerta de acero inoxidable con Manijas Estilo Café

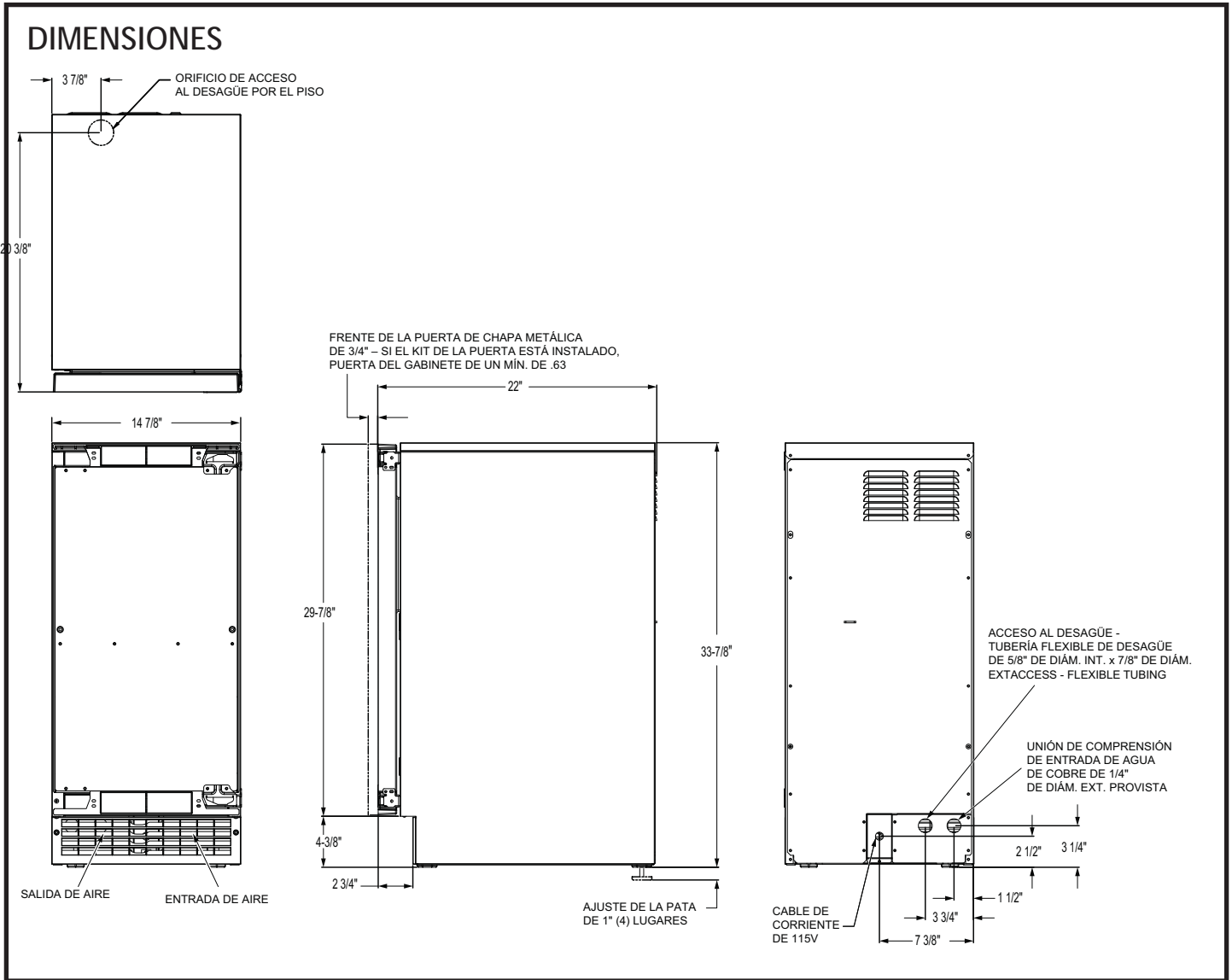
Para ordenar, visite [www.GEApplianceParts.com](http://www.GEApplianceParts.com) o comuníquese al 877-959-8688. En Canadá, visite [www.GEAppliances.ca](http://www.GEAppliances.ca) o comuníquese al 800.561.3344.

**Extensión del Zócalo:** En algunas situaciones, los niveladores de las patas se extenderán lo suficiente hasta estar visibles. Un kit para extender el zócalo sobre las patas está disponible. El número de ese kit es WR02X25798. Para ordenar, visite [www.GEApplianceParts.com](http://www.GEApplianceParts.com) o comuníquese al 877-959-8688. En Canadá, visite [www.GEAppliances.ca](http://www.GEAppliances.ca) o comuníquese al 800.561.3344.

**Estabilidad del Gabinete:** En algunas instalaciones con pedestal, es prudente agregar un soporte antivibraciones que asegure la parte trasera del gabinete a una pared. El número de ese kit es WR01X25709. Para ordenar, visite [www.GEApplianceParts.com](http://www.GEApplianceParts.com) o comuníquese al 877-959-8688. En Canadá, visite [www.GEAppliances.ca](http://www.GEAppliances.ca) o comuníquese al 800.561.3344.

**Conversión del Desagüe:** Un modelo de desagüe por gravedad puede ser convertido a un modelo con bomba de desagüe, instalando un kit de bomba de desagüe. El kit de la bomba de desagüe está compuesto por una bomba de desagüe, un arnés con cables y una tubería asociada. El número de pieza es UPK3. Para ordenar, visite [www.GEApplianceParts.com](http://www.GEApplianceParts.com) o comuníquese al 877-959-8688. En Canadá, visite [www.GEAppliances.ca](http://www.GEAppliances.ca) o comuníquese al 800.561.3344.

# Instrucciones de Instalación



# Instrucciones de Instalación

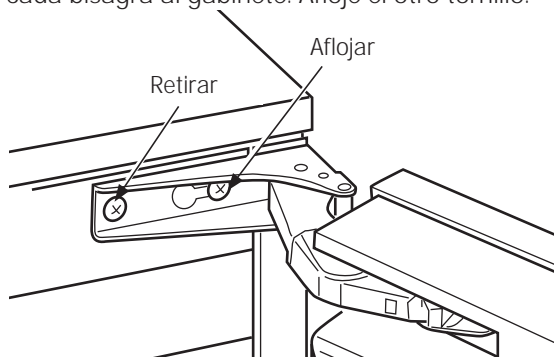
## INSTALACIÓN DE LA MÁQUINA DE HIELO (Cont.)

### APERTURA DE LA PUERTA

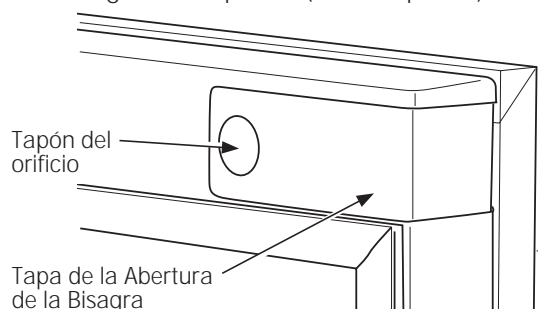
Mover las bisagras permite que la puerta se abra ya sea desde la izquierda o la derecha. Cambie la apertura **ANTES** de adherir el panel de la puerta.

Para hacer un cambio:

1. Abra la puerta. Retire los 4 tornillos de acero inoxidable del lado opuesto a las bisagras frente al gabinete.
2. Retire el tornillo que está más adentro sosteniendo cada bisagra al gabinete. Afloje el otro tornillo.



3. Deslice la puerta hacia el costado de modo que la cerradura en la bisagra deje el tornillo, y retire la misma del gabinete.
4. Retire los tornillos que fueron aflojados y guarde los mismos. Instale los 4 tornillos de acero inoxidable que fueron retirados en el Paso 1 en los agujeros abiertos del gabinete que se dejó, retirando la bisagra.
5. Retire el tapón del orificio y las tapas de las aberturas de las bisagras de la puerta (si corresponde).



6. Retire los tapones de los orificios o los tornillos de las nuevas ubicaciones de las bisagras de la unidad (si corresponde). Deje las mismas a un costado.
7. Instale los 2 tornillos de la bisagra retirados una vez que la puerta fue retirada del gabinete en los agujeros más alejados del nuevo lado de la bisagra del gabinete. Atornillo los mismos sólo media vuelta.
8. Retire la bisagra superior de la puerta y mueva la misma hacia el lado opuesto de la puerta, en la ubicación inferior. Asegure la misma usando los tornillos originales.

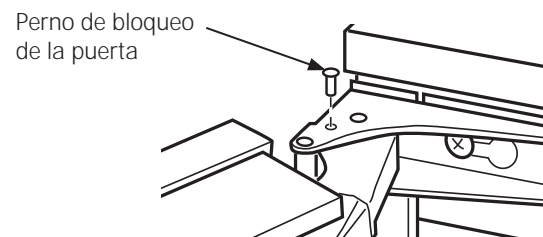
**NOTA:** Si el panel de la puerta está adherido, debe ser retirado para acceder a los tornillos de la bisagra y para invertir la posición de la manija.

9. Retire la bisagra inferior original y mueva la misma hacia el lado opuesto de la puerta, en la ubicación superior. Asegure la misma usando los tornillos originales.

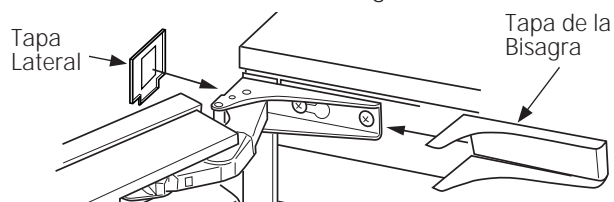
**IMPORTANTE:** Si instalará un panel para puerta de acero inoxidable o un panel estándar, pase a la sección de *INSTALACIÓN DEL PANEL DE LA PUERTA*.

10. Instale las tapas de los bolsillos y tapones de los orificios en la puerta.
11. Instale la ranura de la cerradura en la bisagra sobre el tornillo más alejado, superior e inferior, y deslice la puerta en el gabinete.
12. Adhiera la puerta al gabinete usando los tornillos originales. Ajuste los 4 tornillos.

**IMPORTANTE:** En algunas situaciones, la puerta se puede abrir demasiado y dañar los gabinetes adyacentes. A fin de evitar esto, inserte un Perno de Bloqueo (incluido en el paquete de herramientas) en el agujero provisto en las bisagras superior e inferior. Coloque el perno en el agujero hasta que la cabeza quede alineada con la bisagra.



13. Deslice las tapas de las bisagras del paquete de herramientas sobre cada bisagra.



14. Adhiera las tapas laterales del paquete de herramientas sobre la bisagra, retirando la tapa sobre el adhesivo y colocando la misma sobre el costado de la bisagra.

**NOTA:** Si la unidad será empotrada, se podrá usar un tornillo para asegurar la misma al gabinete en lugar de instalar las tapas laterales.



# Instrucciones de Instalación

## INSTALACIÓN DEL PANEL DE LA PUERTA

La máquina de hielo es provista sin una cobertura convencional para puerta, permitiendo adherir un panel para puerta de acero inoxidable o un panel estándar.

**NOTA:** Si la dirección de la puerta puede ser modificada, será necesario realizar la misma **ANTES** de adherir el panel de la puerta.

### Panel de la Puerta

Están disponibles paneles acabados para puertas de acero inoxidable con manijas a través de GE Appliances, los cuales se pueden adherir a la máquina de hielo. Consulte la sección de *Accesorios* en la página 10.

Un panel estándar de madera u otro material que no supere las 15 libras puede ser usado y se deberán seguir las siguientes pautas:

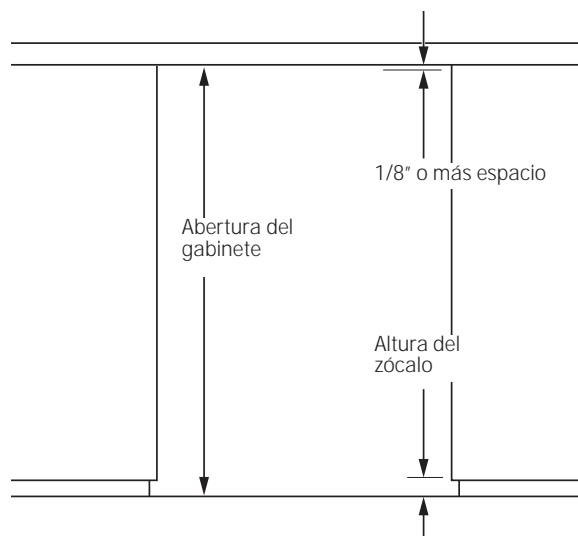
ancho: 14 7/8"

alto: entre 29 5/8" y 30 5/8"

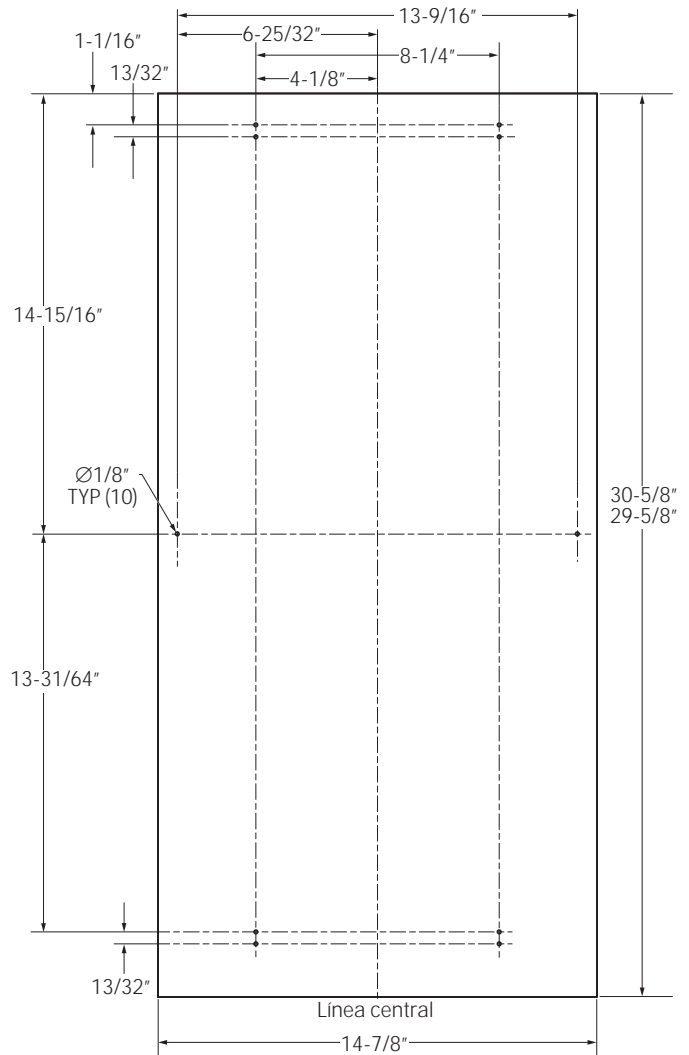
grosor: 5/8" a 3/4"

### Para Panel Estándar:

1. Mida la altura general de la abertura del gabinete donde la máquina de hielo será instalada (desde el piso hasta la parte inferior del extremo de la mesada).
2. Determine la altura deseada del zócalo (parte inferior de la puerta hasta el piso). Esto puede equivaler a la altura del zócalo del gabinete adyacente.
3. El espacio entre la mesada y la parte superior de la máquina de hielo debe ser de por lo menos 1/8".
4. Reste la altura del zócalo y el espacio desde la altura de la apertura para determinar la altura de su panel de puerta estándar.



5. Corte el panel hasta el ancho y alto especificados.
6. Determine la parte superior del panel. Mida y marque las ubicaciones de los orificios.
7. Haga agujeros pilotos en la parte trasera del panel sobre sus marcas. Use un bloqueo para la perforadora, a fin de evitar perforar el panel.



# Instrucciones de Instalación

## INSTALACIÓN DE LA MÁQUINA DE HIELO (Cont.)

### INSTALACIÓN DEL PANEL DE LA PUERTA (Cont.)

Si se modificará la apertura de la puerta, complete este paso antes de instalar el panel de la puerta. Lea la página 13.

#### Adherencia del Panel de la Puerta

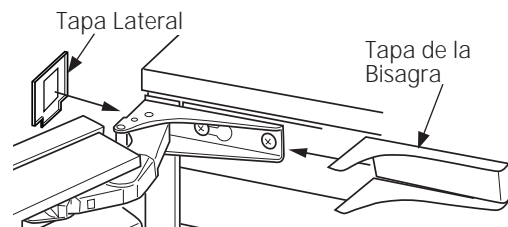
El panel será sostenido por 6 tornillos para chapa metálica y 2 tornillos para metal.

1. Retire la junta del interior de la puerta o conserve la misma para uso posterior.
2. Retire cualquier cobertura plástica que esté recubriendo el panel de acero inoxidable.
3. Coloque el panel de la puerta sobre la parte exterior de la puerta y asegure el mismo con 2 tornillos para metal en el centro izquierdo y en el centro derecho de la puerta.
4. Ajuste el panel a la puerta usando 6 tornillos para chapa metálica. En el área de apertura opuesta al lado donde se encuentran las bisagras, use los agujeros para tornillos más alejados únicamente.
5. En el área de apertura opuesta al lado donde se encuentran las bisagras, use los agujeros para tornillos más alejados únicamente.
6. Inserte el tapón del orificio sobre el tornillo instalado en el paso 5.
7. Vuelva a colocar la junta en su posición original.
8. Adhiera la puerta al gabinete usando los tornillos originales.

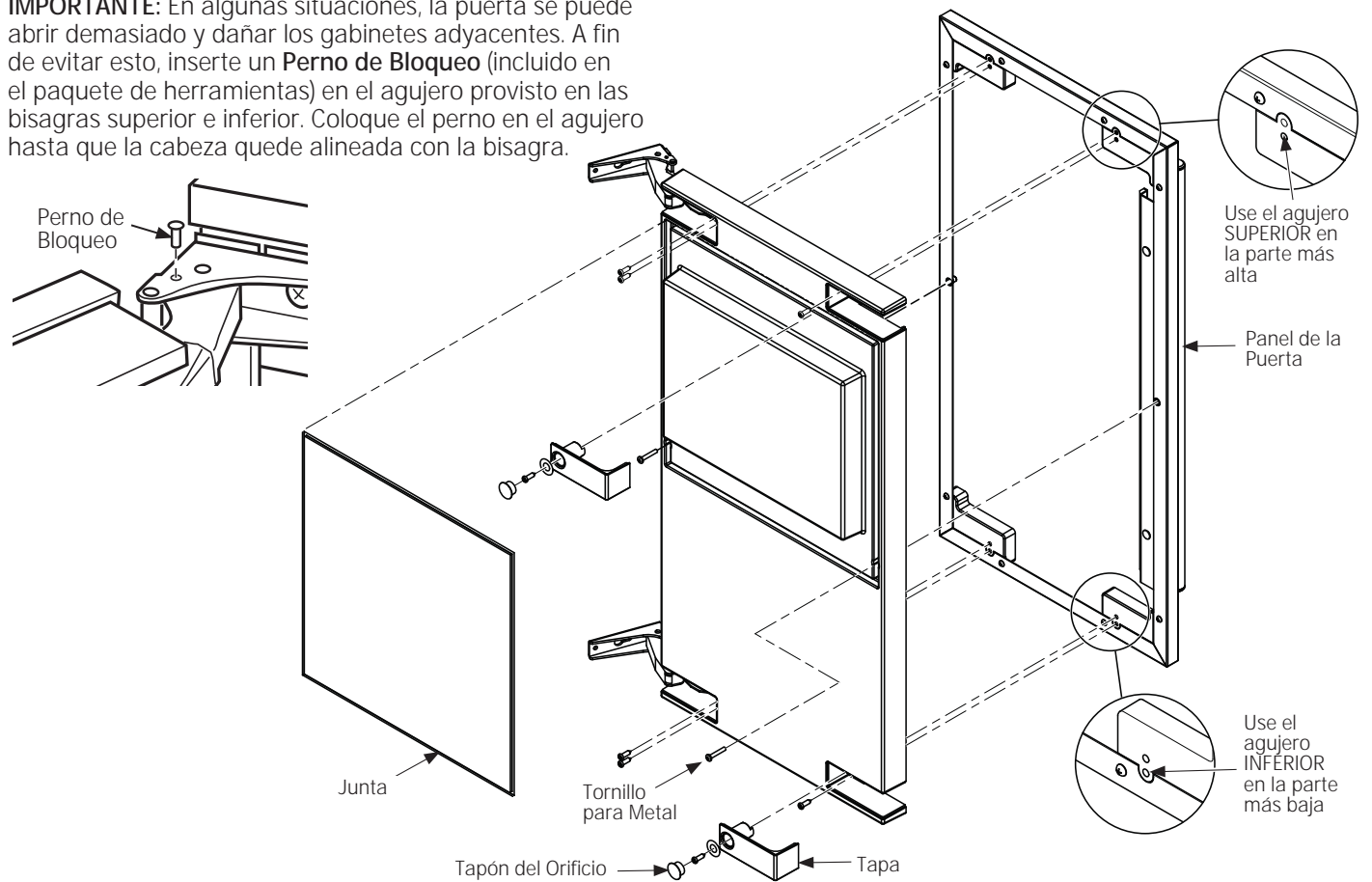
**IMPORTANTE:** En algunas situaciones, la puerta se puede abrir demasiado y dañar los gabinetes adyacentes. A fin de evitar esto, inserte un **Perno de Bloqueo** (incluido en el paquete de herramientas) en el agujero provisto en las bisagras superior e inferior. Coloque el perno en el agujero hasta que la cabeza quede alineada con la bisagra.

9. Deslice las tapas de las bisagras del paquete de herramientas sobre cada bisagra.
10. Adhiera las tapas laterales del paquete de herramientas sobre la bisagra, retirando la tapa sobre el adhesivo y colocando la misma sobre el costado de la bisagra.

**NOTA:** Si la unidad será empotrada, se podrá usar un tornillo para asegurar la misma al gabinete en lugar de instalar las tapas laterales.



11. Vuelva a colocar el zócalo y el panel de servicio frontal a sus posiciones originales y adhiera los mismos al gabinete usando los tornillos originales.



# Instrucciones de Instalación

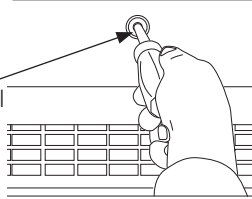
## PLOMERÍA

La tubería de suministro de agua recomendada es de ¼" de diámetro externo de cobre. También se puede usar un tubo de acero inoxidable flexible o uno reforzado de PCV. Instale una válvula de cierre de fácil acceso entre el suministro y la unidad. Esta válvula de cierre no debe ser instalada detrás de la unidad.

**NOTA:** No use válvulas de tipo autopercutor.

1. Retire el panel de servicio frontal.
2. Haga circular el tubo a través del agujero derecho en la parte trasera hacia la entrada de la válvula solenoide de entrada de agua.
3. Instale una unión de compresión sobre la tubería y conecte la misma a la entrada del solenoide.

Tornillo que Asegura el Panel de Servicio Frontal



## BOMBA DE DESAGÜE

### Instalación del Desagüe

Una bomba de desagüe está disponible para esta máquina de hielo. El número del kit de la bomba de desagüe es UPK3 y está disponible en [www.geapplianceparts.com](http://www.geapplianceparts.com) o llamando al 877-959-8688. En Canadá, visite [www.GEAppliances.ca](http://www.GEAppliances.ca) o comuníquese al 800-561-3344.

## DESAGÜE POR GRAVEDAD

### Drain Installation

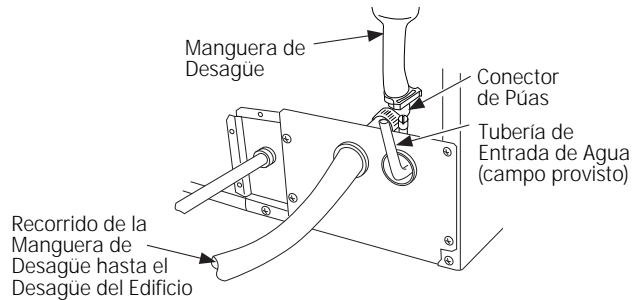
**AVISO** Restricciones en el sistema de desagüe hasta la máquina harán que el agua retroceda en la hielera y que derrita el hielo. La tubería de desagüe por gravedad debe estar ventilada, no poseer torceduras, y descender hasta el desagüe del edificio. De forma típica, las brechas de aire son requeridas por los códigos locales.

1. Coloque la máquina de hielo frente a la abertura de la instalación. Ajuste las patas niveladoras hasta la altura aproximada. Hay Tapas para Patas en el paquete de herramientas que se pueden calzar en las patas niveladoras, si estas últimas quedan visibles una vez nivelada la unidad.
2. Retire el panel de servicio frontal y el panel superior negro.

**NOTA:** Si conectará un modelo de desagüe por gravedad y la abertura del desagüe fue ubicada en el piso debajo de la bandeja de la base de acuerdo con las especificaciones de preinstalación, siga los pasos 3 a 6 para drenar la unidad a través de la base. De no ser así, proceda al paso 6.

4. Retire la abrazadera y el codo con púas y quite la tapa plástica de la bandeja de la base, debajo de la manguera de desagüe.
5. Conecte un conector con púas de 5/8" a la manguera de desagüe, asegurando la misma con la abrazadera para manguera provista.
5. Corte una pieza de 8" de un tubo tygon (plástico transparente) de 5/8" de Diám. Ext. x 7/8" de Diám. Ext. Deslice un extremo del tubo por la abrazadera; deje el otro extremo del tubo apoyado en el piso de la bandeja de la base hasta que la unidad esté posicionada sobre el desagüe del piso.

6. Haga circular el tubo de desagüe. Puede a) insertar el tubo de desagüe a través de la bandeja de la base en el desagüe del piso o b) hacer circular el tubo de desagüe a través del orificio del panel inferior trasero y conectar el codo con púas y asegurarlo con una abrazadera.
7. Reinstale el panel superior trasero.
8. Vuelva a instalar el panel de acceso al servicio. Nivele la unidad. Patas en el paquete de herramientas que se pueden calzar en las patas niveladoras, si estas últimas quedan visibles una vez nivelada la unidad.



## Suministro de Agua

La tubería de suministro de agua recomendada es de ¼" de diámetro externo de cobre. También se puede usar un tubo de acero inoxidable flexible o uno reforzado de PCV. Instale una válvula de cierre de fácil acceso entre el suministro y la unidad. Esta válvula de cierre no debe ser instalada detrás de la unidad.

La conexión de agua está en la parte trasera del gabinete. Realice la conexión utilizando una unión de compresión; una es provista adherida al tubo de entrada de agua en la parte trasera del gabinete.

**Al empotrar:** Enrolle suficiente tubería detrás de la máquina de modo que pueda ser empujada por la cavidad sin retorcer la misma.

## INSTALACIÓN

La máquina de hielo es suministrada con un cable de corriente. No retire el perno de conexión a tierra del enchufe del cable. No use prolongadores. Siga todos los códigos. Conecte la máquina de modo que el circuito posea 115v, 15 amp.

1. Si el tomacorriente eléctrico de la máquina de hielo está detrás de la unidad, enchufe el mismo en la unidad.
2. Posicione la unidad en la abertura de la instalación.
3. Abra el suministro de agua. Asegúrese de que la máquina de hielo esté enchufada y encendida.
4. Deslice la unidad por la abertura de la instalación, prestando especial atención al suministro de agua y a las conexiones del desagüe. **¡Evite torceduras!**
5. Vierta un par de cuartos de galón de agua en la hielera; en máquinas equipadas con bomba de desagüe, la bomba de desagüe se debe iniciar y debe bombear agua. Controle que no haya pérdidas.
6. Vuelva a instalar el panel de acceso al servicio.
7. Nivele la unidad según sea necesario. Hay Tapas para Patas en el paquete de herramientas que se pueden calzar en las patas niveladoras, si estas últimas quedan visibles una vez nivelada la unidad.

## Antes de solicitar un servicio...



Solucionar problemas  
¡Ahorre tiempo y dinero! Revise las tablas en las siguientes páginas y tal vez no necesitará de solicitar un servicio.

<i>Problema</i>	<i>Causas Posibles</i>	<i>Qué hacer</i>
La forma de los cubos de agua está incompleta.	Sarro en el sistema de producción de hielo	Clean the ice making system
Baja capacidad	Desagüe restringido o agua restante en el cesto	Limpie los alerones del condensador enfriados por el aire.
		Limpie el sistema de la máquina de hielo.
		Controle que no haya torceduras en la tubería de desagüe.
Sin hielo	El interruptor está en OFF (Apagado).	Presione el botón <b>ON/OFF (ENCENDIDO/ APAGADO)</b> para activar la corriente.
	El disyuntor se desactivó.	Vuelva a activar el disyuntor.
	El suministro de agua es bajo.	Si la luz de Control del Agua está titilando en Rojo, el suministro de agua es bajo.
La luz de <i>Time to Clean (Hacer la Limpieza)</i> está activada.		Limpie el sistema de la máquina de hielo siguiendo las instrucciones de la sección de Cuidado y Limpieza.

### Ruido

La máquina de hielo fue diseñada para un funcionamiento silencioso, pero hará cierto nivel de ruido durante el ciclo de producción de hielo. Durante un ciclo de congelamiento, es normal escuchar que el ventilador mueve aire y que la bomba de agua hace circular agua. Se podrá oír el hielo golpear la hielera o el hielo dentro de la hielera durante la producción.

Si el ruido durante la producción de hielo es molesto, un temporizador con graduador para electrodoméstico se podrá agregar al suministro de corriente. Configure el temporizador para apagar la máquina en la hora(s) del día en que el ruido es más molesto.

# Garantía de la Máquina de Hielo.



Todo el servicio de garantía es provisto por nuestros Centros de Servicio de Fabricación, o un técnico autorizado de Servicio al Cliente (Customer Care®). Para programar una visita del servicio técnico, visítenos en [GEAppliances.com](http://GEAppliances.com), o comuníquese al 800.GE.CARES (800.432.2737). Cuando llame para solicitar el servicio, tenga los números de serie y modelo disponibles.

Agrafez votre facture ici.  
Pour bénéficier du service de réparation sous garantie, une preuve de la date d'achat initial est nécessaire.

<b>Por el Período de:</b>	<b>GE Appliances Reemplazará</b>
<b>Un Año</b> <i>Desde la fecha de la compra original</i>	<b>Cualquier parte</b> del refrigerador que falle debido a un defecto en los materiales o la fabricación. Durante esta <b>garantía limitada de un año</b> , GE Appliances también proveerá, <b>sin costo</b> , todo el trabajo y el servicio relacionado con el reemplazo de la parte que presente defectos.
<b>Cinco Años</b> <i>Desde la fecha de la compra original</i>	<b>Cualquier parte del sistema de refrigeración sellado (el compresor, condensador, evaporador y todas las tuberías de conexión)</b> que falle debido a un defecto en los materiales o la fabricación. Durante esta <b>garantía de cinco años del sistema de refrigeración sellado</b> , GE Appliances también proveerá, sin costo, todo el trabajo y el servicio relacionado con el reemplazo de la parte que presente defectos en el sistema de refrigeración sellado.

## Qué No Cubrirá GE Appliances:

- Viajes del técnico del servicio a su hogar para enseñarle sobre cómo usar el producto.
- Instalación, entrega o mantenimiento inadecuados.
- Fallas del producto en caso de abuso, mal uso, o uso para propósitos diferentes al original o uso comercial.
- Reemplazo de fusibles de la casa o reinicio de disyuntores.
- Daño causado después de la entrega.
- Reemplazo de las lámparas, si están incluidas.
- Daños ocasionados sobre el producto por accidente, incendio, inundaciones o catástrofes naturales.
- Daños consecuentes o incidentales causados por posibles defectos de este producto.
- Producto no accesible para brindar el servicio requerido.

**EXCLUSIÓN DE GARANTÍAS IMPLÍCITAS—Su única y exclusiva alternativa es la reparación del producto, como se indica en la Garantía Limitada. Las garantías implícitas, incluyendo garantías implícitas de comerciabilidad o conveniencia sobre un propósito particular, se limitan a un año o al período más corto permitido por la ley.**

Esta garantía se extiende al comprador original y a cualquier dueño subsiguiente de productos comprados para uso hogareño dentro de EE.UU. Si el producto está en un área donde no se encuentra disponible un Proveedor Autorizado del Servicio Técnico de GE Appliances, usted será responsable por el costo de un viaje o se podrá requerir que traiga el producto a una ubicación del Servicio Técnico de GE Appliances Autorizado para recibir el servicio. En Alaska, la garantía excluye el costo de envío o llamadas del servicio a su hogar.

Algunos estados no permiten la exclusión o limitación de daños fortuitos o consecuentes. Esta garantía le da derechos legales específicos y es posible que tenga otros derechos legales que varían entre un estado y otro. Para conocer cuáles son sus derechos legales, consulte a la oficina de asuntos del consumidor local o estatal o al Fiscal de su estado.

**Warrantor: GE Appliances, Louisville, KY 40225**

## Servicio al consumidor.

---



### *Página Web de GE Appliances*

*GEAppliances.com*

¿Tiene alguna pregunta sobre su electrodoméstico? ¡Pruebe la página Web de GE Appliances 24 horas al día, cualquier día del año! Para mayor conveniencia y servicio más rápido, ya puede descargar los Manuales de los Propietarios, pedir piezas o incluso hacer una cita en línea para que vengan a realizar una reparación.



### *Solicite una reparación*

*GEAppliances.com*

El servicio de expertos GE Appliances está a tan sólo un paso de su puerta. ¡Entre en línea y solicite su reparación cuando le venga cualquier día del año! O llame al 800.GE.CARES (800.432.2737) durante horas normales de oficina.



### *Real Life Design Studio (Estudio de diseño para la vida real)* *GEAppliances.com*

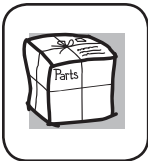
GE Appliances apoya el concepto de Diseño Universal—productos, servicios y ambientes que pueden usar gente de todas las edades, tamaños y capacidades. Reconocemos la necesidad de diseñar para una gran gama de habilidades y dificultades físicas y mentales. Para más detalles sobre las aplicaciones de GE Appliances Diseño Universal, incluyendo ideas de diseño para la cocina para personas con discapacidades, mire nuestra página Web hoy mismo. Para personas con dificultades auditivas, favor de llamar al 800.TDD.GEAC (800.833.4322).



### *Garantías ampliadas*

*GEAppliances.com*

Compre una garantía ampliada y obtenga detalles sobre descuentos especiales disponibles mientras su garantía está aún activa. Puede comprarla en línea en cualquier momento, o llamar al (800.626.2224) durante horas normales de oficina. GE Appliances Consumer Home Services estará aún ahí cuando su garantía termine.



### *Piezas y accesorios*

*GEApplianceParts.com*

Aquellos individuos con la calificación necesaria para reparar sus propios electrodomésticos pueden pedir que se les manden las piezas o accesorios directamente a sus hogares (aceptamos las tarjetas VISA, MasterCard y Discover). Haga su pedido en línea hoy, 24 horas cada día o llamar por teléfono al 877.959.8688 durante horas normales de oficina.

*Las instrucciones descritas en este manual cubren los procedimientos a seguir por cualquier usuario. Cualquier otra reparación debería, por regla general, referirse a personal calificado autorizado. Debe ejercerse precaución ya que las reparaciones incorrectas pueden causar condiciones de funcionamiento inseguras.*



### *Póngase en contacto con nosotros*

*GEAppliances.com*

Si no está satisfecho con el servicio que recibe de GE Appliances, póngase en contacto con nosotros en nuestra página Web indicando todos los detalles así como su número de teléfono o escríbanos a:

General Manager, Customer Relations  
GE Appliances, Appliance Park  
Louisville, KY 40225



### *Registre su electrodoméstico*

*GEAppliances.com*

¡Registre su nuevo electrodoméstico en línea—cuando usted prefiera! El registrar su producto a tiempo le proporcionará, si surgiera la necesidad, una mejor comunicación y un servicio más rápido bajo los términos de su garantía. También puede enviar su tarjeta de registro pre-impresa que se incluye en el material de embalaje o recorte y use el formulario de este Manual del Propietario.