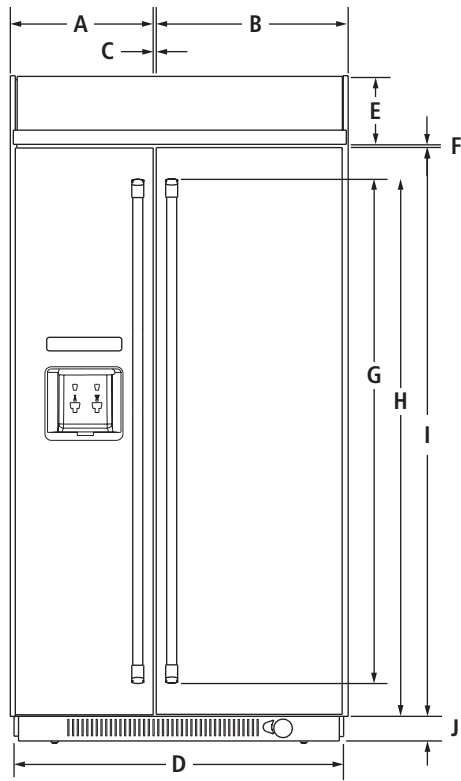


42" SIDE-BY-SIDE REFRIGERATORS WITH DISPENSER

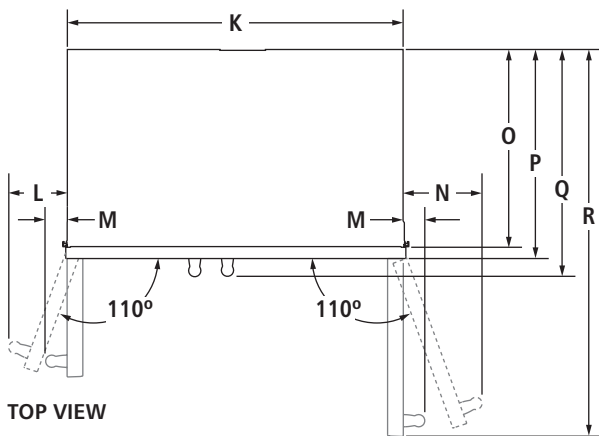
JS42PPDUDE – 42³/₈" x 83³/₈" x 27³/₄" (with handles)

JS42SSDUDE – 42³/₈" x 83³/₈" x 27¹/₈" (with handles)

PRODUCT DIMENSIONS



FRONT VIEW



TOP VIEW

MODEL #	JS42PPDUDE JS42SSDUDE	
	in	cm
A	Width of freezer door (including hinge side offset)	17½ 44.4
B	Width of refrigerator door (including hinge side offset)	23½ 59.7
C	Space between doors	¾ 1.0
D	Overall width (including side trim)	42 ³ / ₈ 107.6
E	Height of top grille	8 ⁵ / ₈ 21.7
F	Space between doors and top grille	¾ 1.0
G	Height of handles Pro-Style® Stainless	45 ⁹ / ₁₆ 115.7
	Euro Style Stainless	50 127.1
H	Height to top of handles Pro-Style® Stainless	63 ¹ / ₁₆ 163.5
	Euro Style Stainless	65 ³ / ₄ 167.0
I	Height of doors	71 180.2
J	Height of bottom grille	3 7.6
K	Width of recessed refrigerator	41 104.1
L	Width from side of refrigerator to freezer handle – door fully open 110° Pro-Style® Stainless	7 ¹ / ₈ 18.1
	Euro Style Stainless	6 ³ / ₄ 17.1
M	Width from side of refrigerator to handle – door open 90° Pro-Style® Stainless	2 ⁵ / ₈ 6.7
	Euro Style Stainless	2 5.1
N	Width from side of refrigerator to refrigerator handle – door fully open 110° Pro-Style® Stainless	9 ⁵ / ₈ 24.4
	Euro Style Stainless	9 ¹ / ₈ 23.1
O	Depth without doors	22 ¹ / ₈ 56.2
P	Depth with doors	25 ⁵ / ₈ 63.8
Q	Depth with handles Pro-Style® Stainless	27 ³ / ₄ 70.5
	Euro Style Stainless	27 ¹ / ₈ 68.8
R	Depth with refrigerator door open 90°	47 ⁵ / ₁₆ 120.1

IMPORTANT: Dimensional specifications are provided for planning purposes only.

Do not make any cutouts based on this information. Refer to the Installation or Use & Care Guide before selecting cabinetry, verifying electrical/gas connections, making cutouts or beginning installation.

All Jenn-Air® appliances are appropriately UL, CUL or CSA approved.

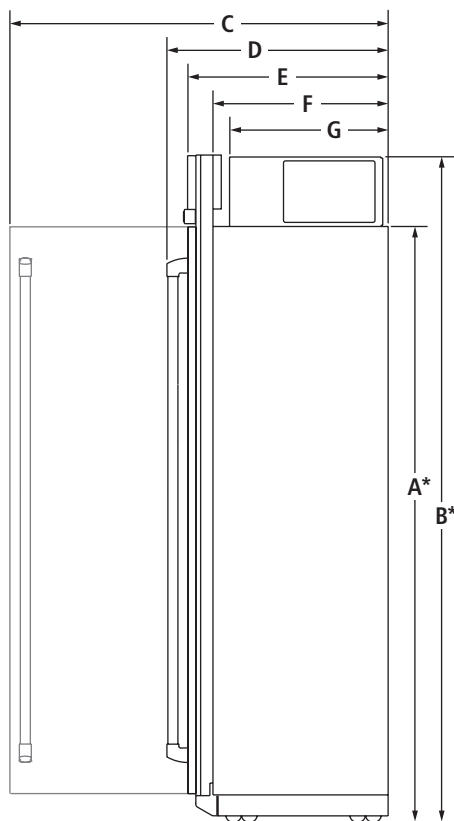


42" SIDE-BY-SIDE REFRIGERATORS WITH DISPENSER

JS42PPDUDE – 42³/₈" x 83³/₈" x 27³/₄" (with handles)

JS42SSDUDE – 42³/₈" x 83³/₈" x 27¹/₈" (with handles)

DIMENSIONS AS INSTALLED



SIDE VIEW

MODEL #	JS42PPDUDE JS42SSDUDE	
	in	cm
A*	Height without compressor (min.)	74 ³ / ₈ 188.9
B*	Height of recessed refrigerator (min.)	83 ³ / ₈ 211.8
C	Depth with refrigerator door open 90° (min.)	47 ¹ / ₄ 120.0
D	Depth with handles (min.) Pro-Style® Stainless	27 ³ / ₄ 70.5
	Euro Style Stainless	27 ¹ / ₈ 68.8
E	Depth with doors (min.)	25 ¹ / ₈ 63.8
F	Depth without doors (min.)	22 ¹ / ₈ 56.2
G	Depth of compressor (min.)	19 ⁷ / ₈ 50.6

*Add 1¹/₄" (3.2 cm) to the height dimension when leveling legs are fully extended.

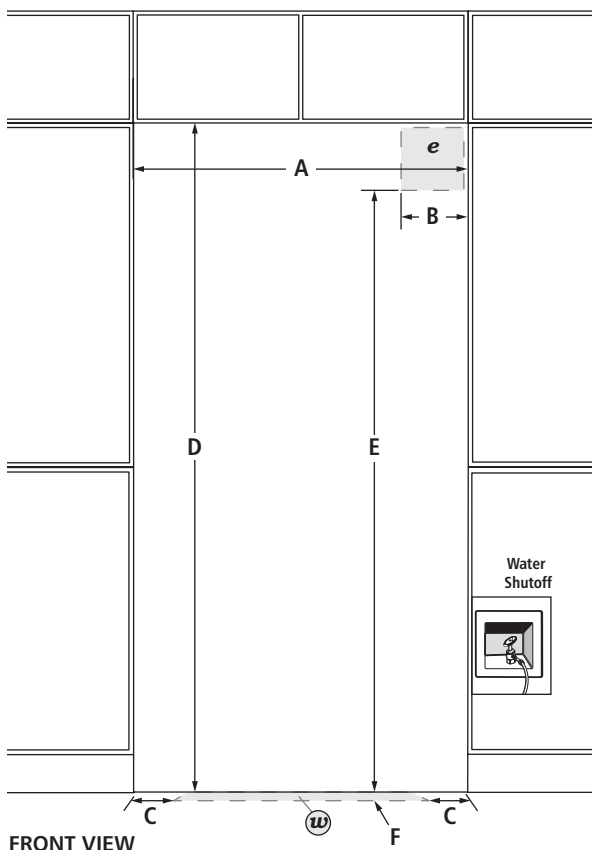
IMPORTANT: Dimensional specifications are provided for planning purposes only. Do not make any cutouts based on this information. Refer to the Installation or Use & Care Guide before selecting cabinetry, verifying electrical/gas connections, making cutouts or beginning installation. All Jenn-Air® appliances are appropriately UL, CUL or CSA approved.

42" SIDE-BY-SIDE REFRIGERATORS WITH DISPENSER

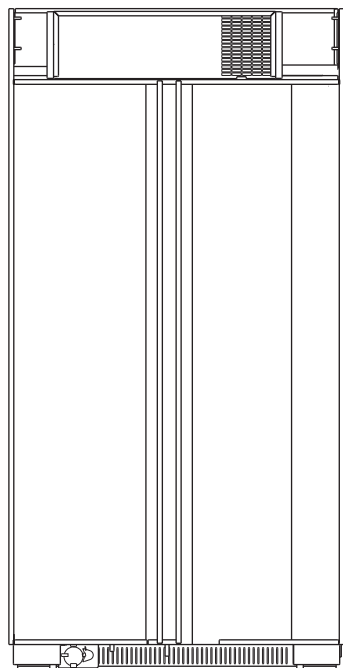
JS42PPDUDE – 42³/₈" x 83³/₈" x 27³/₄" (with handles)

JS42SSDUDE – 42³/₈" x 83³/₈" x 27¹/₈" (with handles)

OPENING/CLEARANCE DIMENSIONS



FRONT VIEW



BACK VIEW

MODEL #	JS42PPDUDE JS42SSDUDE	
	in	cm
A	Width (min.)	41½ 105.4
B	Width of recommended electrical location	7½ 19.1
C	Distance from side of cabinet to recommended water connection location	6 15.2
D	Height (min.)	84 213.4
E	Height to recommended electrical location	77 195.6
F	Depth of recommended water connection location (max.)	1 2.5
e	Recommended electrical connection location	
w	Recommended water connection location	

ELECTRICAL REQUIREMENTS

115 volt, 60 Hz, AC only, 15- or 20-amp fused, grounded circuit is required. A dedicated circuit is recommended. Use an outlet that cannot be turned off by a switch.

Minimum length of power cord is 84" (213.4 cm). Do not use an extension cord.

WATER PRESSURE REQUIREMENTS

A cold water supply with water pressure between 30 and 120 psi (207 and 827 kPa) is required to operate the water dispenser and ice maker. Call a licensed, qualified plumber with any questions about the water pressure.

Reverse Osmosis Water Supply

IMPORTANT: The pressure of the water coming out of a reverse osmosis system going to the water inlet valve of the refrigerator needs to be between 30 and 120 psi (207 and 827 kPa).

If a reverse osmosis water filtration system is connected to the cold water supply, the water pressure to the reverse osmosis system needs to be a minimum of 40 to 60 psi (276 to 414 kPa).

LOCATION REQUIREMENTS

Floor must be able to support refrigerator (more than 600 lb [272 kg]) and contents of the refrigerator and must be at the same level as flooring in the room.

IMPORTANT: Dimensional specifications are provided for planning purposes only. Do not make any cutouts based on this information. Refer to the Installation or Use & Care Guide before selecting cabinetry, verifying electrical/gas connections, making cutouts or beginning installation. All Jenn-Air® appliances are appropriately UL, CUL or CSA approved.