

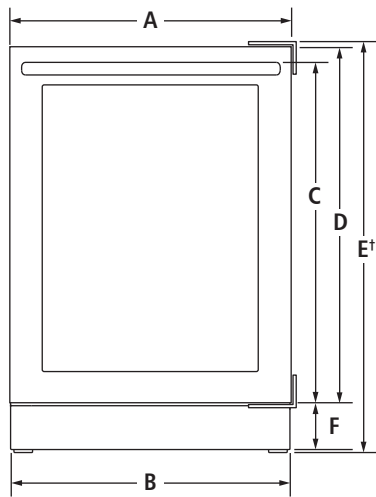
UNDER COUNTER BEVERAGE CENTERS

JUB24FRERS, JUB24FLERS – 23<sup>7</sup>/<sub>8</sub>" x 34<sup>3</sup>/<sub>8</sub>" x 26" (including handle)

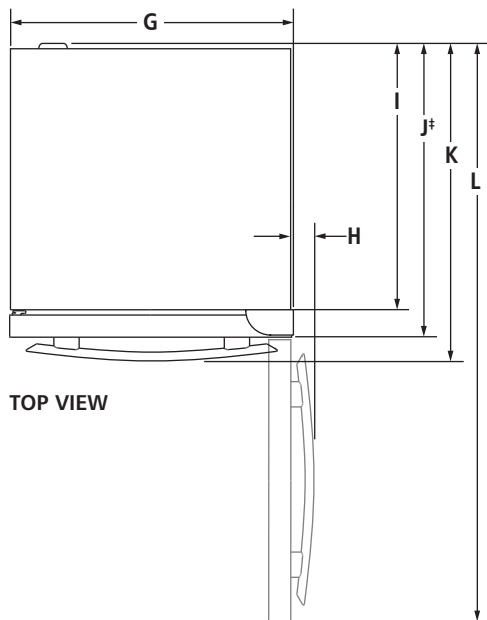
JUB24FRECX, JUB24FLECX – 23<sup>7</sup>/<sub>8</sub>" x 34<sup>3</sup>/<sub>8</sub>" x 23<sup>7</sup>/<sub>8</sub>"

JUBFR242GM, JUBFL242GM – 23<sup>7</sup>/<sub>8</sub>" x 34<sup>3</sup>/<sub>8</sub>" x 26<sup>1</sup>/<sub>2</sub>" (including handle)

PRODUCT DIMENSIONS



FRONT VIEW



TOP VIEW

MODEL #	JUB24FRERS JUB24FLERS JUB24FRECX JUB24FLECX		JUBFR242GM JUBFL242GM			
	in	cm	in	cm		
<b>A</b>	Width of door		23 <sup>3</sup> / <sub>4</sub>	60.3	23 <sup>3</sup> / <sub>4</sub>	60.3
<b>B</b>	Width of grille		23 <sup>3</sup> / <sub>4</sub>	60.2	23 <sup>3</sup> / <sub>4</sub>	60.3
<b>C</b>	Height to top of handle Pro-Style® Stainless*		28 <sup>1</sup> / <sub>4</sub>	71.7	—	—
	Euro-Style Stainless		28	71.1	—	—
	Noir		—	—	28 <sup>1</sup> / <sub>4</sub>	71.7
	Custom panel		**	**	—	—
<b>D</b>	Height of door		30 <sup>1</sup> / <sub>8</sub>	76.6	30 <sup>1</sup> / <sub>8</sub>	76.6
<b>E†</b>	Height with hinge cover (min.)		34 <sup>3</sup> / <sub>8</sub>	87.4	34 <sup>3</sup> / <sub>8</sub>	87.4
<b>F</b>	Height of grille		3 <sup>3</sup> / <sub>4</sub>	9.4	3 <sup>3</sup> / <sub>4</sub>	9.4
<b>G</b>	Width with hinge cover		23 <sup>7</sup> / <sub>8</sub>	60.6	23 <sup>7</sup> / <sub>8</sub>	60.6
<b>H</b>	Width from side of beverage center to handle – door open 90° Pro-Style® Stainless*		2 <sup>5</sup> / <sub>8</sub>	6.7	—	—
	Euro-Style Stainless		2 <sup>1</sup> / <sub>8</sub>	5.3	—	—
	Noir		—	—	2 <sup>3</sup> / <sub>16</sub>	5.5
	Custom panel		**	**	—	—
<b>I</b>	Depth without door		21 <sup>5</sup> / <sub>8</sub>	55.0	21 <sup>5</sup> / <sub>8</sub>	55.0
<b>J‡</b>	Depth with door		23 <sup>7</sup> / <sub>8</sub>	60.7	23 <sup>7</sup> / <sub>8</sub>	60.7
<b>K</b>	Depth with handle Pro-Style® Stainless*		26 <sup>1</sup> / <sub>2</sub>	67.3	—	—
	Euro-Style Stainless		26	66.0	—	—
	Noir		—	—	26 <sup>1</sup> / <sub>2</sub>	67.3
	Custom panel		**	**	—	—
<b>L</b>	Depth with door open 90°		47 <sup>3</sup> / <sub>4</sub>	121.4	47 <sup>3</sup> / <sub>4</sub>	121.4

\*Requires optional Pro-Style® Stainless handle kit – W10588599.

Each kit includes one Pro-Style® badge and one handle.

\*\*For custom panel models, this depends on handle chosen.

†Add 5/8" (1.6 cm) to the height dimension when leveling legs are fully extended.

‡Includes recommended 3/4" (1.9 cm) custom panel thickness (JUB24FRECX, JUB24FLECX).

**IMPORTANT:** Dimensional specifications are provided for planning purposes only.

**Do not make any cutouts based on this information.** Refer to the Installation or Use & Care Guide before selecting cabinetry, verifying electrical/gas connections, making cutouts or beginning installation.

All Jenn-Air® appliances are appropriately UL, CUL or CSA approved.



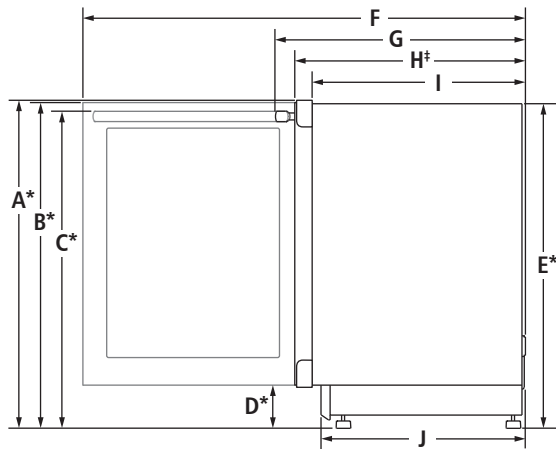
UNDER COUNTER BEVERAGE CENTERS

JUB24FRERS, JUB24FLERS – 23<sup>7</sup>/<sub>8</sub>" x 34<sup>3</sup>/<sub>8</sub>" x 26" (including handle)

JUB24FRECX, JUB24FLECX – 23<sup>7</sup>/<sub>8</sub>" x 34<sup>3</sup>/<sub>8</sub>" x 23<sup>7</sup>/<sub>8</sub>"

JUBFR242GM, JUBFL242GM – 23<sup>7</sup>/<sub>8</sub>" x 34<sup>3</sup>/<sub>8</sub>" x 26<sup>1</sup>/<sub>2</sub>" (including handle)

DIMENSIONS AS INSTALLED



SIDE VIEW

MODEL #	JUB24FRERS JUB24FLERS JUB24FRECX JUB24FLECX		JUBFR242GM JUBFL242GM			
	in	cm	in	cm		
<b>A*</b>	Height with hinge cover (min.)		34 <sup>3</sup> / <sub>8</sub>	87.4	34 <sup>3</sup> / <sub>8</sub>	87.4
<b>B*</b>	Height to top of door (min.)		34 <sup>1</sup> / <sub>8</sub>	86.8	34 <sup>1</sup> / <sub>8</sub>	86.8
<b>C*</b>	Height to top of handle (min.) Pro-Style® Stainless**		28 <sup>1</sup> / <sub>4</sub>	71.7	—	—
	Euro-Style Stainless		28	71.1	—	—
	Noir		—	—	—	—
	Custom panel		†	†	—	—
<b>D*</b>	Height to top of grille (min.)		4	10.2	4	10.2
<b>E*</b>	Height of recessed beverage center (min.)		34 <sup>1</sup> / <sub>8</sub>	86.8	34 <sup>1</sup> / <sub>8</sub>	86.8
<b>F</b>	Depth with door open 90° (min.)		47 <sup>3</sup> / <sub>4</sub>	121.4	47 <sup>3</sup> / <sub>4</sub>	121.4
<b>G</b>	Depth with handle (min.) Pro-Style® Stainless**		26 <sup>1</sup> / <sub>2</sub>	67.3	—	—
	Euro-Style Stainless		26	66.0	—	—
	Noir		—	—	26 <sup>1</sup> / <sub>2</sub>	67.3
	Custom panel		†	†	—	—
<b>H†</b>	Depth with door (min.)		24	60.9	24	60.9
<b>I</b>	Depth without door (min.)		21 <sup>5</sup> / <sub>8</sub>	55.0	21 <sup>5</sup> / <sub>8</sub>	55.0
<b>J</b>	Depth of grille (min.)		20 <sup>3</sup> / <sub>4</sub>	52.7	20 <sup>3</sup> / <sub>4</sub>	52.7

\*Add 5/8" (1.6 cm) to the height dimension when leveling legs are fully extended.

\*\*Requires optional Pro-Style® Stainless handle kit – W10588599. Each kit includes one Pro-Style® badge and one handle.

†For custom panel models, this depends on handle chosen.

‡Includes recommended 3/4" (1.9 cm) custom panel thickness (JUB24FRECX, JUB24FLECX).

**IMPORTANT:** Dimensional specifications are provided for planning purposes only.  
**Do not make any cutouts based on this information.** Refer to the Installation or Use & Care Guide before selecting cabinetry, verifying electrical/gas connections, making cutouts or beginning installation.  
 All Jenn-Air® appliances are appropriately UL, CUL or CSA approved.

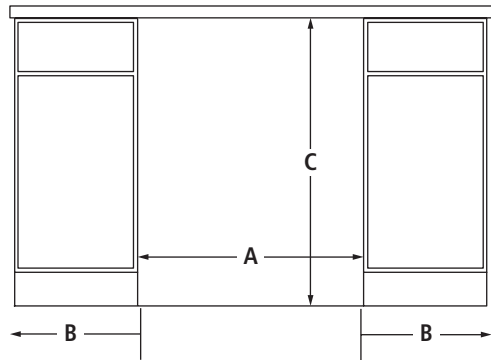
UNDER COUNTER BEVERAGE CENTERS

JUB24FRERS, JUB24FLERS – 23<sup>7</sup>/<sub>8</sub>" x 34<sup>3</sup>/<sub>8</sub>" x 26" (including handle)

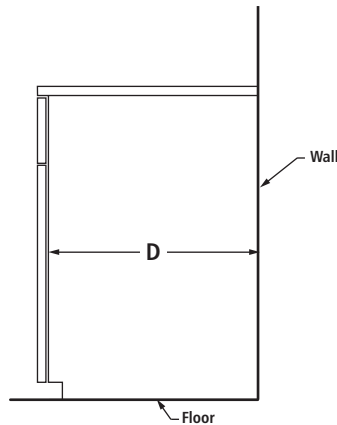
JUB24FRECX, JUB24FLECX – 23<sup>7</sup>/<sub>8</sub>" x 34<sup>3</sup>/<sub>8</sub>" x 23<sup>7</sup>/<sub>8</sub>"

JUBFR242GM, JUBFL242GM – 23<sup>7</sup>/<sub>8</sub>" x 34<sup>3</sup>/<sub>8</sub>" x 26<sup>1</sup>/<sub>2</sub>" (including handle)

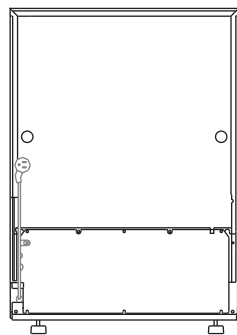
OPENING/CLEARANCE DIMENSIONS



FRONT VIEW



SIDE VIEW



BACK VIEW

MODEL #		JUB24FRERS JUB24FLERS JUB24FRECX JUB24FLECX		JUBFR242GM JUBFL242GM	
		in	cm	in	cm
<b>A</b>	Width (min.)	24	61.0	24	61.0
<b>B</b>	Minimum width from hinged side of beverage center to fixed wall – door open 90°	1 <sup>5</sup> / <sub>8</sub>	4.0	1 <sup>5</sup> / <sub>8</sub>	4.0
<b>C</b>	Height (min.)	34 <sup>3</sup> / <sub>8</sub>	87.3	34 <sup>3</sup> / <sub>8</sub>	87.3
<b>D</b>	Depth (min.)	24	61.0	24	61.0

VENTILATION REQUIREMENTS

For proper ventilation, allow 1/4" (0.6 cm) space on the top and each side.

ELECTRICAL REQUIREMENTS

115 volt, 60 Hz, AC only, 15- or 20-amp fused, grounded circuit is required. A dedicated circuit is recommended. Use an outlet that cannot be turned off by a switch. Minimum length of the power cord is 63" (160.0 cm). Do not use an extension cord.

**IMPORTANT:** Dimensional specifications are provided for planning purposes only. Do not make any cutouts based on this information. Refer to the Installation or Use & Care Guide before selecting cabinetry, verifying electrical/gas connections, making cutouts or beginning installation. All Jenn-Air® appliances are appropriately UL, CUL or CSA approved.