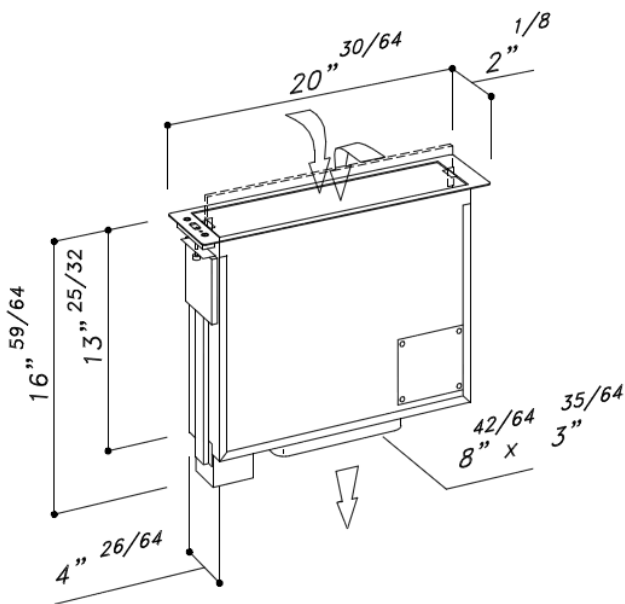
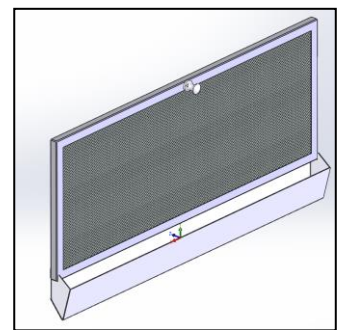


SU-DD17



SU-DD17

- Touch control 4 Speeds + timer
- External motor version (SUM-1)
- Patented filter with oil collector
- Black glass + inox 430



SUM-1



SUM-1

- Motor: 600CFM aluminium die-cast motor housing
- Pressure: 480Pa
- Noise level: 62Dba (4.56 Sones)
- Air Inlet: 6" round

