



# Convection Built-In Electric Wall Oven

Safety Information .....2

Warranty.....4

Assistance / Accessories .....5

**Using The Oven**

Oven Controls.....6

Special Features .....8

Oven Racks .....9

Aluminum Foil and Oven Liners ...9

Cookware.....9

Cooking Modes .....10

Cooking Guide .....11

**Care and Cleaning**

Control Panel .....12

Oven Exterior .....12

Stainless Steel Surfaces .....12

Oven Interior.....12

Flat Racks.....12

Maintenance.....13

Troubleshooting Tips .....14

## Owner's Manual

- JK5000 - 27" Single Wall Oven
- JT5000 - 30" Single Wall Oven
- JK5500 - 27" Double Wall Oven
- JT5500 - 30" Double Wall Oven

For a Spanish version of this manual, visit our Website at [GEAppliances.com](http://GEAppliances.com).

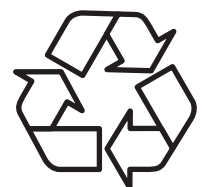
Para consultar una versión en español de este manual de instrucciones, visite nuestro sitio de internet [GEAppliances.com](http://GEAppliances.com).

Write the model and serial numbers here:

Model # \_\_\_\_\_

Serial # \_\_\_\_\_

You can find them on a label on the side trim or on the front of the (lower) oven behind the oven door.



Printed on Recycled Paper

# IMPORTANT SAFETY INFORMATION. READ ALL INSTRUCTIONS BEFORE USING.

## **▲ WARNING**

Read all safety instructions before using the product. Failure to follow these instructions may result in fire, electrical shock, serious injury or death.

## STATE OF CALIFORNIA PROPOSITION 65 WARNING

The California Safe Drinking Water and Toxic Enforcement Act requires the Governor of California to publish a list of substances known to the state to cause cancer, birth defects or other reproductive harm, and requires businesses to warn customers of potential exposure to such substances.

## **▲ WARNING**

This product contains one or more chemical known to the State of California to cause cancer, birth defects or other reproductive harm.

Self-clean ovens can cause low-level exposure to some of these substances, including carbon monoxide, during the cleaning cycle. Exposure can be minimized by venting with an open window or using a ventilation fan or hood.

## **▲ WARNING**

## GENERAL SAFETY INSTRUCTIONS

- Use this appliance only for its intended purpose as described in this Owner's Manual.
- Be sure your appliance is properly installed and grounded by a qualified installer in accordance with the provided installation instructions.
- Do not attempt to repair or replace any part of your oven unless it is specifically recommended in this manual. All other servicing should be transferred to a qualified technician.
- Before performing any service, disconnect the power supply at the household distribution panel by removing the fuse or switching off the circuit breaker.
- Do not leave children alone—children should not be left alone or unattended in an area where an appliance is in use. They should never be allowed to climb, sit or stand on any part of the appliance.
- **▲ CAUTION:** Do not store items of interest to children in cabinets above an oven - children climbing on the oven to reach items could be seriously injured.
- Use only dry pot holders—moist or damp pot holders on hot surfaces may result in burns from steam. Do not let pot holders touch hot heating elements. Do not use a towel or other bulky cloth in place of pot holders.
- Never use your appliance for warming or heating the room.
- Do not touch the heating elements or the interior surface of the oven. These surfaces may be hot enough to burn even though they are dark in color. During and after use, do not touch, or let clothing or other flammable materials contact any interior area of the oven; allow sufficient time for cooling first. Other surfaces of the appliance may become hot enough to cause burns. Potentially hot surfaces include the oven vent opening, surfaces near the opening and crevices around the oven door.
- Do not heat unopened food containers. Pressure could build up and the container could burst, causing an injury.
- Do not use any type of foil or liner to cover the oven bottom or anywhere in the oven, except as described in this manual. Oven liners can trap heat or melt, resulting in damage to the product and risk of shock, smoke or fire.
- Avoid scratching or impacting glass doors or control panels. Doing so may lead to glass breakage. Do not cook on a product with broken glass. Shock, fire or cuts may occur.
- Cook meat and poultry thoroughly—meat to at least an internal temperature of 160°F and poultry to at least an internal temperature of 180°F. Cooking to these temperatures usually protects against foodborne illness.

## SAVE THESE INSTRUCTIONS

**⚠ WARNING****KEEP FLAMMABLE MATERIALS AWAY FROM THE OVEN**

Failure to do so may result in fire or personal injury.

- Do not store or use flammable materials in or near an oven, including paper, plastic, pot holders, linens, wall coverings, curtains, drapes and gasoline or other flammable vapors and liquids.
- Never wear loose-fitting or hanging garments while using the appliance. These garments may ignite if they contact hot surfaces, causing severe burns.
- Do not let cooking grease or other flammable materials accumulate in or near the oven. Grease in the oven or near the oven may ignite.

**⚠ WARNING****IN THE EVENT OF A FIRE, TAKE THE FOLLOWING STEPS TO PREVENT INJURY AND FIRE SPREADING**

- Do not use water on grease fires. Never pick up a flaming pan.
- If there is a fire in the oven during baking, smother the fire by closing the oven door and turning the oven off or by using a multi-purpose dry chemical or foam-type fire extinguisher.
- If there is a fire in the oven during self-clean, turn the oven off and wait for the fire to go out. Do not force the door open. Introduction of fresh air at self-clean temperatures may lead to a burst of flame from the oven. Failure to follow this instruction may result in severe burns.

**⚠ WARNING****OVEN SAFETY INSTRUCTIONS**

- Stand away from the oven when opening the oven door. Hot air or steam which escapes can cause burns to hands, face and/or eyes.
- Keep the oven vent unobstructed.
- Keep the oven free from grease buildup. Grease in the oven may ignite.
- Place oven racks in desired location while oven is cool. If rack must be moved while oven is hot, do not let pot holder contact hot heating element in oven.
- When using cooking or roasting bags in the oven, follow the manufacturer's directions.
- Pulling out the standard racks to their stop-locks or the extension rack to its fully open position is a convenience in lifting heavy foods. It is also a precaution against burns from touching hot surfaces of the door or oven walls.
- Do not leave items such as paper, cooking utensils or food in the oven when not in use. Items stored in an oven can ignite.
- Never place cooking utensils, pizza or baking stones, or any type of foil or liner on the oven floor. These items can trap heat or melt, resulting in damage to the product and risk of shock, smoke or fire.

**⚠ WARNING****SELF-CLEANING OVEN SAFETY INSTRUCTIONS**

The self-cleaning feature operates the oven at temperatures high enough to burn away food soils in the oven. Follow these instructions for safe operation.

- Do not touch oven surfaces during self-clean operation. Keep children away from the oven during self-cleaning. Failure to follow these instructions may cause burns.
- Before self-cleaning the oven, remove shiny silver colored oven racks (on some models), the probe, any aluminum foil, and any broiler pan, grid, and other cookware. Only porcelain coated oven racks may be left in the oven.
- Before operating the self-clean cycle, wipe grease and food soils from the oven. Excessive amount of grease may ignite, leading to smoke damage to your home.
- If the self-cleaning mode malfunctions, turn the oven off and disconnect the power supply. Have it serviced by a qualified technician.
- Do not clean the door gasket. The door gasket is essential for a good seal. Care should be taken not to rub, damage or move the gasket.
- Do not use oven cleaners. No commercial oven cleaner or oven liner protective coating of any kind should be used in or around any part of the oven.

**SAVE THESE INSTRUCTIONS**

# Thank You! ... for your purchase of a GE Brand appliance.

**Register Your Appliance:** Register your new appliance on-line at your convenience!

[www.geappliances.com/service\\_and\\_support/register/](http://www.geappliances.com/service_and_support/register/)

Timely product registration will allow for enhanced communication and prompt service under the terms of your warranty, should the need arise. You may also mail in the pre-printed registration card included in the packing material.

## GE Electric Range Warranty

GEAppliances.com

All warranty service is provided by our Factory Service Centers, or an authorized Customer Care® technician. To schedule service on-line, visit us at [www.geappliances.com/service\\_and\\_support/](http://www.geappliances.com/service_and_support/), or call 800.GE.CARES (800.432.2737). Please have serial number and model number available when calling for service.

Servicing your appliance may require the use of the onboard data port for diagnostics. This gives a GE factory service technician the ability to quickly diagnose any issues with your appliance and helps GE improve its products by providing GE with information on your appliance. If you do not want your appliance data to be sent to GE, please advise your technician not to submit the data to GE at the time of service.

For the period of one year from the date of the original purchase. GE will provide any part of the range which fails due to a defect in materials or workmanship. During this limited one-year warranty, GE will also provide, free of charge, all labor and in-home service to replace the defective part.

### What GE will not cover:

- Service trips to your home to teach you how to use the product.
- Improper installation, delivery or maintenance.
- Failure of the product if it is abused, misused, modified or used for other than the intended purpose or used commercially.
- Replacement of house fuses or resetting of circuit breakers.
- Damage to the product caused by accident, fire, floods or acts of God.
- Incidental or consequential damage caused by possible defects with this appliance.
- Damage caused after delivery.
- Product not accessible to provide required service.
- Service to repair or replace light bulbs, except for LED lamps.

### EXCLUSION OF IMPLIED WARRANTIES

Your sole and exclusive remedy is product repair as provided in this Limited Warranty. Any implied warranties, including the implied warranties of merchantability or fitness for a particular purpose, are limited to one year or the shortest period allowed by law.

This warranty is extended to the original purchaser and any succeeding owner for products purchased for home use within the USA. If the product is located in an area where service by a GE Authorized Servicer is not available, you may be responsible for a trip charge or you may be required to bring the product to an Authorized GE Service location for service. In Alaska, the warranty excludes the cost of shipping or service calls to your home.

Some states do not allow the exclusion or limitation of incidental or consequential damages. This warranty gives you specific legal rights, and you may also have other rights which vary from state to state. To know what your legal rights are, consult your local or state consumer affairs office or your state's Attorney General.

Warrantor: General Electric Company. Louisville, KY 40225

**Extended Warranties:** Purchase a GE extended warranty and learn about special discounts that are available while your warranty is still in effect. You can purchase it on-line anytime

[www.geappliances.com/service\\_and\\_support/shop-for-extended-service-plans.htm](http://www.geappliances.com/service_and_support/shop-for-extended-service-plans.htm)

or call 800.626.2224 during normal business hours. GE Consumer Home Services will still be there after your warranty expires.

Staple your receipt here. Proof of the original purchase date is needed to obtain service under the warranty.

# Have a question or need assistance with your appliance?

Try the GE Appliances Website ([www.geappliances.com/service\\_and\\_support/](http://www.geappliances.com/service_and_support/)) 24 hours a day, any day of the year! For greater convenience and faster service, you can now download Owner's Manuals, order parts or even schedule service on-line.

**Schedule Service:** Expert GE repair service is only one step away from your door. Get on-line and schedule your service at [www.geappliances.com/service\\_and\\_support/](http://www.geappliances.com/service_and_support/) Or call 800.GE.CARES (800.432.2737) during normal business hours.

**Parts and Accessories:** Individuals qualified to service their own appliances can have parts or accessories sent directly to their homes (VISA, MasterCard and Discover cards are accepted). Order on-line today, 24 hours every day or by phone at 800.626.2002 during normal business hours.

Instructions contained in this manual cover procedures to be performed by any user. Other servicing generally should be referred to qualified service personnel. Caution must be exercised, since improper servicing may cause unsafe operation.

**Real Life Design Studio:** GE supports the Universal Design concept of products, services and environments that can be used by people of all ages, sizes and capabilities. We recognize the need to design for a wide range of physical and mental abilities and impairments. For details of GE's Universal Design applications, including kitchen design ideas for people with disabilities, check out our Website today. For the hearing impaired, please call 800.TDD.GEAC (800.833.4322).

**Contact Us:** If you are not satisfied with the service you receive from GE, contact us on our Website with all the details including your phone number, or write to:

**General Manager, Customer Relations  
GE Appliances, Appliance Park Louisville, KY 40225**

## Accessories

Looking For Something More?

GE offers a variety of accessories to improve your cooking and maintenance experiences!

To place an order visit us online at:

**[www.GEApplianceParts.com](http://www.GEApplianceParts.com)** (U.S.) or **[www.GEAppliances.ca](http://www.GEAppliances.ca)** (Canada)  
or call **800.626.2002** (U.S.) **800.661.1616** (Canada)

The following products and more are available:

### Accessories

Small Broiler Pan (8 ¾" x 1 ¼" x 13 ½")	WB48X10055 (US) 222D2097G001 (Canada)
Large* Broiler Pan (12 ¾" x 1 ¼" x 16 ½")	WB48X10056 (US) 222D2097G002 (Canada)
XL** Broiler Pan (17" x 1 ¼" x 19 1/4")	WB48X10057 (US) Not available in Canada

### Parts

Oven racks	Part numbers vary by model
Oven elements	Part numbers vary by model
Light bulbs	Part numbers vary by model

### Cleaning Supplies

CitruShine Stainless Steel Wipes	WX10X10007
CeramaBryte Stainless Steel Appliance Cleaner	PM10X311

\*The large broiler pan does not fit in 20"/24" ranges.

\*\*The XL broiler pan does not fit in 24" wall ovens, 27" drop ins or 20"/24" ranges

## How to Remove Protective Shipping Film and Packaging Tape

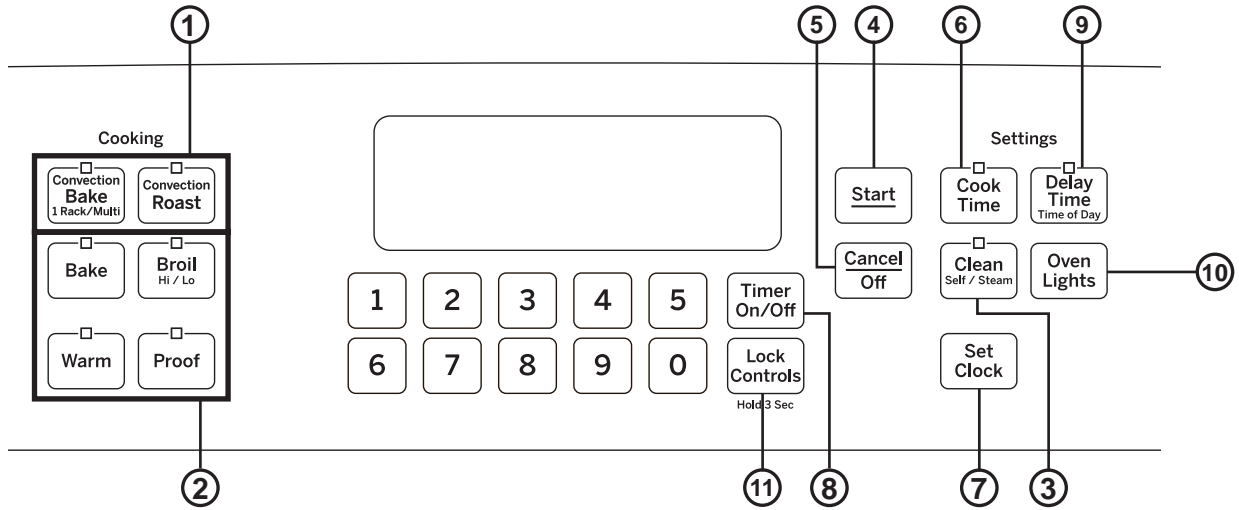
Carefully grasp a corner of the protective shipping film with your fingers and slowly peel it from the appliance surface. Do not use any sharp items to remove the film. Remove all of the film before using the appliance for the first time.

To assure no damage is done to the finish of the

product, the safest way to remove the adhesive from packaging tape on new appliances is an application of a household liquid dishwashing detergent. Apply with a soft cloth and allow to soak.

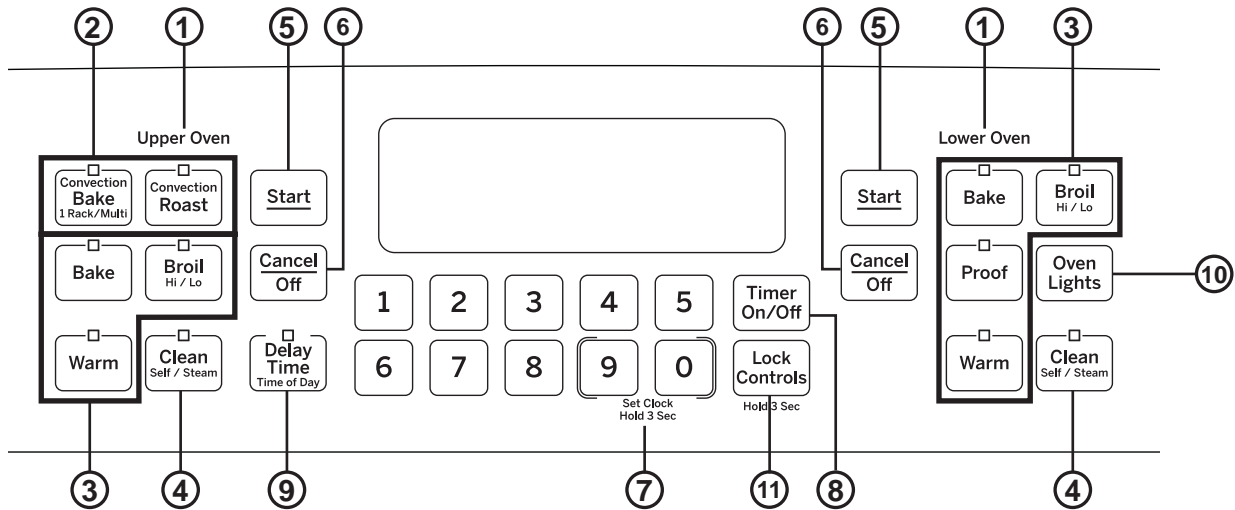
**NOTE:** The adhesive must be removed from all parts. It cannot be removed if it is baked on.

# Single Wall Oven



1. **Convection Cooking Modes:** Convection cooking modes use increased air circulation to improve performance. The type of benefit depends on the mode. Your oven has the following convection cooking modes: Convection Bake (1 Rack/Multi) and Convection Roast. See the Cooking Modes section for more information.
2. **Traditional Cooking Modes:** Your oven has the following traditional cooking modes: Bake, Broil Hi/Lo, Proof and Warm. See the Cooking Modes section for more information.
3. **Clean:** Your oven has two cleaning modes: Self Clean and Steam Clean. See the Cleaning the Oven section for important information about using these modes.
4. **Start:** Must be pressed to start any cooking, cleaning, or timed function.
5. **Cancel/Off:** Cancels ALL oven operations except the clock and timer.
6. **Cook Time:** Counts down cooking time and turns off the oven when the cooking time is complete. Press the **Cook Time** pad, use the number pads to program a cooking time in hours and minutes, then press **Start**. This can only be used with Traditional Bake, Convection Bake, Convection Bake Multi, and Convection Roast.
7. **Clock:** Sets the oven clock time. Press the **Set Clock** pad and the number pads to program the clock. Press **Start** to save the time.
8. **Timer:** Works as a countdown timer. Press the **Timer** pad and the number pads to program the time in hours and minutes. Press the **Start** pad. The oven will continue to operate when the timer countdown is complete. To turn the timer off press the **Timer** pad
9. **Delay Time:** Delays when the oven will turn on. Use this to set a time when you want the oven to start. Press the **Delay Time** pad and use the number pads to program the time of day for the oven to turn on then press **Start**. Press the desired cooking mode and temperature then press **Start**. A cook time may also be programmed if desired. Follow the directions under Cook Time for setting this feature. This can only be used with Bake, Convection Bake (1 Rack/Multi), Convection Roast and Self-Clean.  
**NOTE:** When using the delay time feature, foods that spoil easily—such as milk, eggs, fish, stuffings, poultry and pork—should not be allowed to sit for more than 1 hour before or after cooking. Room temperature promotes the growth of harmful bacteria. Be sure that the oven light is off because heat from the bulb will speed harmful bacteria growth.
10. **Oven Light(s):** Turns the oven light(s) on or off.
11. **Lock Controls:** Locks out the control so that pressing the pads does not activate the controls. Press and hold the **Lock Controls** pad for three seconds to lock or unlock the control. **Cancel/Off** is always active, even when the control is locked.

# Double Wall Oven



- 1. Upper Oven and Lower Oven:** Designates which oven the controls will operate.
- 2. Convection Cooking Modes:** Convection cooking modes use increased air circulation to improve performance. The type of benefit depends on the mode. Your oven has the following convection cooking modes: Convection Bake (1 Rack/Multi) and Convection Roast. See the Cooking Modes section for more information.
- 3. Traditional Cooking Modes:** Your oven has the following traditional cooking modes: Bake, Broil Hi/Lo, Warm and Proof (lower oven only). See the Cooking Modes section for more information.
- 4. Clean:** Your oven has two cleaning modes: **Self Clean** and **Steam Clean**. See the Cleaning the Oven section for important information about using these modes. Note that proof cannot be run when running a clean mode in the upper oven.
- 5. Start:** Must be pressed to start any cooking, cleaning, or timed function.
- 6. Cancel/Off:** Cancels ALL oven operations except the clock and timer.
- 7. Clock:** Sets the oven clock time. Press the **9** and **0** pads and hold for 3 seconds. Use the number pads to program the clock. Press **Start** to save the time.
- 8. Timer:** Works as a countdown timer. Press the **Timer** pad and the number pads to program the time in hours and minutes. Press the **Start** pad. The oven will continue to operate when the timer countdown is complete. To turn the timer off press the **Timer** pad.
- 9. Delay Time:** Delays when the oven will turn on. Use this to set a time when you want the oven to start. Press the **Delay Time** pad and use the number pads to program the time of day for the oven to turn on then press **Start**. Press the desired cooking mode and temperature then press **Start**. This can only be used with Bake, Convection Bake (1 Rack/Multi), Convection Roast and Self-Clean.  
**NOTE:** When using the delay time feature, foods that spoil easily—such as milk, eggs, fish, stuffings, poultry and pork—should not be allowed to sit for more than 1 hour before or after cooking. Room temperature promotes the growth of harmful bacteria. Be sure that the oven light is off because heat from the bulb will speed harmful bacteria growth.
- 10. Oven Light(s):** Turns the oven light(s) on or off in both ovens. Note that lights in both ovens will not turn on if the door is opened while the other oven is in a clean mode.
- 11. Lock Controls:** Locks out the control so that pressing the pads does not activate the controls. Press and hold the **Lock Controls** pad for three seconds to lock or unlock the control. **Cancel/Off** is always active, even when the control is locked.

## Special Features

There are several different special features on your wall oven. To change the settings of these special features, press the **BAKE** and **BROIL** pads at the same time and hold for three seconds. "SF" will appear in the display. Select the feature you want to change. When the change has been made, press the **START** key to save the change and return to the time of day.

### Adjust the Oven Temperature

This feature allows the oven baking and convection baking temperature to be adjusted up to 35°F hotter or down to 35°F cooler. Use this feature if you believe your oven temperature is too hot or too cold and wish to change it. **For double oven models, the upper and lower ovens are adjusted separately.** This adjustment affects Bake, and Convection Bake (1 Rack/Multi) modes. No other cooking modes are affected.

Press the **Bake** pad to select the oven to be adjusted. Press the **Bake** pad again to enter the temperature adjustment mode. A number between 35 and - 35 will display. Use the number pads to set the desired temperature adjustment and use the **Bake** pad to change between negative and positive.

Press the **Start** pad to save the temperature adjustment.

### End of Timer Signals

This is the tone that signals the end of a timer. The tone can be continuous (Con bEEP) or one repeating beep (bEEP). A continuous setting will continue to sound a tone until a button on the control is pressed. Press the **Broil** pad to view the current setting and then to change the setting.

### Fahrenheit or Celsius Temperature Display

The oven control is set to use Fahrenheit temperatures (F), but you can change it to use Celsius temperatures (C). Press the number **6** and **8** pads at the same time to view the current setting, press again to change the setting.

### Clock Display

This feature specifies how the time of day will be displayed or if no time of day will be displayed. You can select a standard 12-hour clock (12 H), 24-hour military time display (24 H), or for no clock displayed (oFF). Press the **Clock** pad to view the current setting, press again to change the setting.

### Auto Recipe Conversion

When using Convection Bake 1 Rack or Convection Bake Multi Rack cooking options, Auto Recipe Conversion will automatically convert the regular baking temperatures entered to convection bake cooking temperatures when turned on. Note that this option does not convert convection bake cooking times, it only converts temperatures. Press the **Convection Bake (1 Rack/Multi)** pad to view the conversion setting, press again to toggle between On (Con On) and Off (Con oFF).

### Sound Volume

This feature allows the oven tone volume to be adjusted between high (HI bEEP HI), medium (Std bEEP Std), low (Lo bEEP Lo) and off (oFF bEEP oFF). Press the number **1** and **5** pads at the same time to view the current setting or to change the setting. The control will sound the oven tone at the new volume level each time the sound level is changed.

### 12-hour auto shut-off and Sabbath

Options for this feature are "12 SHdn", "no SHdn" and "SAbbAtH".

12-hour auto shut-off turns off the oven after 12 hours of continuous operations.

Sabbath mode disables the oven lights (the oven light will not turn on when the door is opened), all sounds (the control will not beep when a button is pressed), Convection, Broil, Warm, Proof, Cook Time, Timer, Clock, and Delay Time functions. Sabbath mode can only be used with Bake. This feature conforms to the Star-K Jewish Sabbath requirements.

Press and hold the **Bake** and **Broil** pads for 3 seconds to enter special features.

Press the **Delay Time** pad to view the current setting and then to change the setting.

To use Sabbath mode, select "SAbbAtH" and press **Start**. A **J** will appear in the display and the clock will not display.

Note that if you have a double wall oven, when you place the control into Sabbath mode, both ovens are now in Sabbath mode and available for cooking.

Once in Sabbath mode, at any time you can press **Bake**, use the number pads to enter a temperature between 170F and 550F, and press **Start**. No sound will be given when the keys are pressed. At a random time between 30 seconds and 1 minute, **J**, will appear in the display indicating the oven is running.

Note that both ovens of a double wall oven can be used in Sabbath mode. Each oven can be programmed to a different temperature and each oven must be programmed separately.

If you need to adjust the temperature, press **Bake**, use the number pads to enter a new temperature between 170F and 550F, and press **Start**.

To turn the oven off, press **Cancel/Off** at any time. **The oven will immediately turn off** and **J** will change to **J** indicating that the oven has turned off.

Note that each oven of a double wall oven must be turned off separately.

To exit Sabbath mode, make sure that the oven is turned off. Press and hold the **Bake** and **Broil** pads for 3 seconds to enter special features then press **Delay Time** until either "12 SHdn" or "no SHdn" is in the display and press **Start**.

**NOTE:** If power outage occurs during Sabbath mode the unit will remain in Sabbath mode but off when power is restored.

If you wish to use the Cook Time feature (if available) to bake in the oven and then have the oven automatically turn off, you will need to press the Cook Time button, enter a cooking time duration, and press Start. Then enter special features to start Sabbath mode as detailed above.



## Oven Racks

Your oven has six rack positions. Recommended rack positions for various types of foods are provided in the Cooking Guide. Adjusting rack position is one way to impact cooking results. For example, if you would prefer darker tops on cakes, muffins, or cookies, try moving food one rack position higher. If you find foods are too brown on top try moving them down next time.

When baking with multiple pans and on multiple racks, ensure there is sufficient space between pans to allow air to flow.

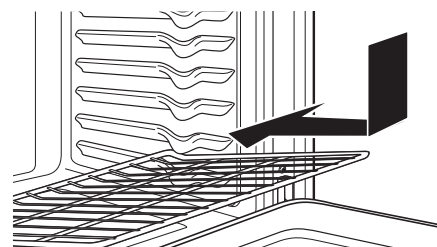
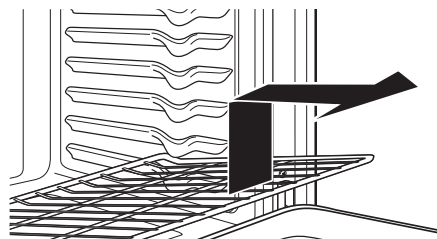
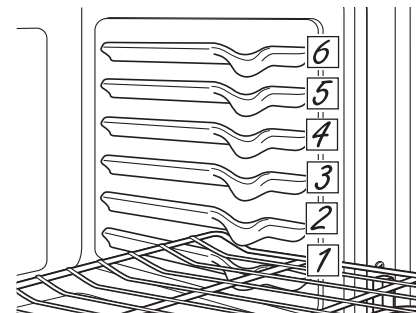
### Flat Racks

When placing and removing cookware, pull the rack out to the bump (stop position) on the rack support.

To remove a rack, pull it toward you, tilt the front end up and pull it out.

To replace, place the curved end of the rack (stop-locks) onto the oven supports, tilt up the front of the rack and push the rack in.

Racks may become difficult to slide, especially after a self-clean. Put some vegetable oil on a soft cloth or paper towel and rub onto the left and right edges.



## Aluminum Foil and Oven Liners

**⚠ CAUTION:** Do not use any type of foil or oven liner to cover the oven bottom. These items can trap heat or melt, resulting in damage to the product and risk of shock, smoke or fire. Damage from improper use of these items is not covered by the product warranty.

Foil may be used to catch spills by placing a sheet on a lower rack, several inches below the food. Do not use more foil than necessary and never entirely cover an oven rack with aluminum foil. Keep foil at least 1-1/2" from oven walls to prevent poor heat circulation.

## Cookware

### Cookware Guidelines

The material, finish, and size of cookware affect baking performance.

Dark, coated and dull pans absorb heat more readily than light, shiny pans. Pans that absorb heat more readily can result in a browner, crisper, and thicker crust. If using dark and coated cookware check food earlier than minimum cook time. If undesirable results are obtained with this type of cookware consider reducing oven temperature by 25° F next time.

Shiny pans can produce more evenly cooked baked goods such as cakes and cookies.

Glass and ceramic pans heat slowly but retain heat well. These types of pans work well for dishes such as pies and custards.

Air insulated pans heat slowly and can reduce bottom browning.

Keep cookware clean to promote even heating.

## Cooking Modes

Your new oven has a variety of cooking modes to help you get the best results. These modes are described below. Refer to the Cooking Guide section for recommendations for specific foods. Remember, your new oven may perform differently than the oven it is replacing.

### Baking and Roasting Modes

Select a mode for baking and roasting based on the type and quantity of food you are preparing. When preparing baked goods such as cakes, cookies, and pastries always preheat the oven first. Follow recipe recommendations for food placement. If no guidelines are provided, center food in the oven.

#### Traditional Bake

The traditional bake mode is intended for single rack cooking. This mode uses heat primarily from the lower element but also from the upper element to cook food. To use this mode press the **Bake** pad, enter a temperature, and then press **Start**. Preheating is generally recommended when using this mode.

#### Convection Bake 1 Rack

The Convection Bake 1 Rack mode is intended for single rack cooking. This mode uses heat from the lower element and also the upper and rear elements, along with air movement from the convection fan to enhance evenness. Your oven is equipped with Auto Recipe Conversion, so it is not necessary to convert the temperature when using this mode. To use this mode press the **Convection Bake (1 Rack/Multi)** once, enter a temperature, and then press **Start**. Preheating is generally recommended when using this mode.

#### Convection Bake Multi Rack

The Convection Bake Multi Rack mode is intended for baking on multiple racks at the same time. This mode uses heat primarily from the rear element but also heat from the upper and lower elements, along with air movement from the convection fan to enhance cooking evenness. Your oven is equipped with Auto Recipe Conversion, so it is not necessary to convert the temperature when using this mode. Baking time might be slightly longer for multiple racks than what would be expected for a single rack. To use this mode press the **Convection Bake (1 Rack/Multi)** pad **twice**, enter a temperature, and then press **Start**. Always preheat when using this mode.

#### Convection Roast

The Convection Roast mode is intended for roasting whole cuts of meat on a single rack. This mode uses heat from the lower, upper, and rear elements along with air movement from the convection fan to improve browning and reduce cooking time. It is not necessary to convert temperature. Check food earlier than the recipe suggested time when using this mode or use a meat probe. To use this mode press the **Convection Roast** pad, enter a temperature, and then press **Start**. It is not necessary to preheat when using this mode.

### Broiling Modes

Always broil with the door closed. The broil element in this oven is very powerful. Monitor food closely while broiling. Use caution when broiling on upper rack positions as placing food closer to the broil element increases smoking, spattering, and the possibility of fats igniting. For best performance center food below the upper heating element. **Broiling on rack position 6 is not recommended.**

Try broiling foods that you would normally grill. Adjust rack positions to adjust the intensity of the heat to the food. Place foods closer to the broil element when a seared surface and rare interior is desired. Thicker foods and foods that need to be cooked through should be broiled on a rack position farther from the broiler or by using Broil Lo.

#### Broil Hi

The Broil Hi mode uses intense heat from the upper element to sear foods. Use Broil Hi for thinner cuts of meat and/or foods you prefer less done on the interior. To use this mode press the **Broil** pad once and then press **Start**. It is not necessary to preheat when using this mode.

#### Broil Lo

The Broil Lo mode uses less intense heat from the upper element to cook food thoroughly while also producing surface browning. Use Broil Lo for thicker cuts of meat and/or foods that you would like cooked all the way through. To use this mode press the **Broil** pad **twice** and then press **Start**. It is not necessary to preheat when using this mode.

#### Proof

Proof mode is designed for rising (fermenting and proofing) bread doughs. Press the **Proof** pad and then press **Start**. Cover dough well to prevent drying out. Bread will rise more rapidly than at room temperature. Note that for double wall ovens, proof can not be run when running a clean mode in the lower oven.

#### Warm

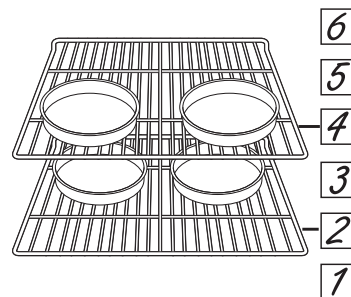
Warm mode is designed to keep hot foods hot for up to 3 hours. To use this mode, press the **Warm** pad then press **Start**. Cover foods that need to remain moist and do not cover foods that should be crisp. Preheating is not required. Do not use warm to heat cold food other than crisping crackers, chips or dry cereal. It is also recommended that food not be kept warm for more than 2 hours.

# Cooking Guide

FOOD TYPE	RECOMMENDED MODE(S)	RECOMMENDED RACK POSITION(S)	ADDITIONAL SUGGESTIONS
<b>Baked Goods</b>			
Layer cakes, sheet cakes, bundt cakes, muffins, quick breads on a Single Rack	Traditional Bake	3	Use shiny cookware.
Layer cakes* on Multiple Racks	Traditional Bake	2 and 4	Ensure adequate airflow (see illustration below).
Chiffon cakes (angel food)	Traditional Bake	1	Use shiny cookware.
Cookies, biscuits, scones on a Single Rack	Traditional Bake	3	Use shiny cookware.
Cookies, biscuits, scones on Multiple Racks	Convection Bake Multi Rack	2 and 4 1, 3 and 5	Ensure adequate airflow.
<b>Beef &amp; Pork</b>			
Hamburgers	Broil Hi	5	Use a broil pan; move food down for more doneness/less searing. Watch food closely when broiling. For best performance center food below the broil heating element.
Steaks & Chops	Broil Hi	5	Use a broil pan; move food down for more doneness/less searing. Watch food closely when broiling. For best performance center food below the broil heating element.
Roasts	Convection Roast	2 or 3	Use a low sided pan such as a broil pan. Preheating is not necessary.
<b>Poultry</b>			
Whole chicken	Convection Roast	2 or 3	Use a low sided pan such as a broil pan.
Bone-in chicken breasts, legs, thighs	Broil Hi	1	If breaded or coated in sauce avoid Broil Hi modes. Broil skin side down first. Watch food closely when broiling. For best performance when broiling, center food below the broil heating element.
	Broil Lo Traditional Bake Convection Bake 1 Rack	3	
Boneless chicken breasts	Broil Lo Traditional Bake Convection Bake 1 Rack	3	Move food down for more doneness/less searing and up for greater searing/browning when broiling. For best performance when broiling, center food below the broil heating element.
Whole turkey	Convection Roast	1 or 2	Use a low sided pan such as a broil pan.
Turkey Breast	Convection Roast	2 or 3	Use a low sided pan such as a broil pan.
<b>Fish</b>	Broil Lo	5 (1/2 thick or less) 4 (>1/2 inch)	Watch food closely when broiling. For best performance center food below the broil heating element.
<b>Casseroles</b>	Convection Bake 1 Rack Traditional Bake	3	
<b>Frozen Convenience Foods</b>			
Pizza, french fries, tator tots, chicken nuggets, appetizers on a Single Rack	Convection Bake 1 Rack Traditional Bake	3	Use shiny cookware.
Pizza, french fries, tator tots, chicken nuggets, appetizers on Multiple Racks	Convection Bake Multi Rack	2 and 4	Use shiny cookware.

\*When baking four cake layers at a time, use racks 2 and 4. Place the pans as shown so that one pan is not directly above another.

Cook food thoroughly to help protect against food borne illness. Minimum safe food temperature recommendations for food safety can be found at [www.IsItDoneYet.gov](http://www.IsItDoneYet.gov). Make sure to use a food thermometer to take food temperatures.



# Cleaning The Oven

---

Be sure electrical power is off and all surfaces are cool before cleaning any part of the oven.

---

## Control Panel

It's a good idea to wipe the control panel after each use. Clean with mild soap and water or vinegar and water, rinse with clean water and polish dry with a soft cloth.

Do not use abrasive cleansers, strong liquid cleansers, plastic scouring pads or oven cleaners on the control panel—they will damage the finish.

---

## Oven Exterior

Do not use oven cleaners, abrasive cleansers, strong liquid cleansers, steel wool, plastic scouring pads, or cleaning powders on the interior or exterior of the oven. Clean with a mild soap and water or vinegar and water solution. Rinse with clean water and dry with a soft cloth. When cleaning surfaces, make sure that they are at room temperature and not in direct sunlight.

If stain on the door vent trim is persistent, use a mild abrasive cleaner and a sponge-scrubber for best results. Spillage of marinades, fruit juices, tomato sauces and basting liquids containing acids may cause discoloration and should be wiped up immediately. Let hot surfaces cool, then clean and rinse.

---

## Stainless Steel Surfaces (on some models)

Do not use a steel wool pad; it will scratch the surface. To clean the stainless steel surface, use warm sudsy water or a stainless steel cleaner or polish. Always wipe the surface in the direction of the grain. Follow the cleaner instructions for cleaning the stainless steel surface.

To inquire about purchasing cleaning products including stainless steel appliance cleaner or polish read the Assistance and Accessories sections at the beginning of this manual.

---

## Oven Interior

The interior of your new oven can be cleaned manually or by using the Steam Clean or Self Clean modes. Spillage of marinades, fruit juices, tomato sauces and basting liquids containing acids may cause discoloration and should be wiped up immediately. Let hot surfaces cool, then clean and rinse.

### Manual Cleaning

Do not use oven cleaners, abrasive cleaners, strong liquid cleansers, steel wool, scouring pads, or cleaning powders on the interior of the oven. Clean with a mild soap and water or vinegar and water solution. Rinse with clean water and dry with a soft cloth. When cleaning surfaces, make sure that they are at room temperature.

### Steam Clean Mode

Steam clean is intended to clean small spills using water and a lower cleaning temperature than Self-Clean.

To use the Steam Clean feature, wipe grease and soils from the oven. Pour one cup of water into the bottom of the oven. Close the door. Press the **Clean** pad **twice** and then press **Start**. The oven door will lock. You can not open the door during the 30 minute steam clean as this will decrease the steam clean performance. At the end of the steam clean cycle the door will unlock. Wipe out any excess water and any remaining soil.

### Self Clean Mode

Read Self-Cleaning Oven Safety Instructions at the beginning of this manual before using Self Clean Mode. Self clean uses very high temperatures to clean the oven interior. The oven door will lock when using this feature. Before operating the self-clean cycle, wipe up grease and soils from the oven. Remove all items from the oven other than enameled (dark color) racks. Shiny or silver racks and any cookware or other items should all be removed from the oven before initiating a self-clean cycle. Close the door. Press the **Clean** pad once and a default self-clean time is displayed. The clean time can be changed to any time between 3:00 and 5:00 hours by using the number pads to enter a different time and pressing **Start**. For heavily soiled ovens, the maximum 5 hour clean time is recommended. If you wish to use the default time, press the **Start** pad immediately after pressing the **Clean** pad. The oven will turn off automatically when the self-clean cycle is complete. The door will stay locked until the oven has cooled down. After the oven has cooled down wipe any ash out of the oven.

**IMPORTANT:** The health of some birds is extremely sensitive to the fumes given off during the self-cleaning cycle of any range. Move birds to another well-ventilated room.

---

## Flat Racks

Flat racks can be left in the cavity during self-clean (if enameled racks, not shiny) or can be washed with warm, soapy water.

Racks may be more difficult to slide, especially after a self-clean. Put some vegetable oil on a soft cloth or paper towel and rub onto the left and right edges.

# Maintenance

## Oven Light Replacement

### ⚠ WARNING

**SHOCK OR BURN HAZARD:** Before replacing oven light bulb, disconnect the electrical power to the oven at the main fuse or circuit breaker panel. Failure to do so may result in electric shock or burn.

### ⚠ CAUTION

**BURN HAZARD:** The glass cover and bulb should be removed when cool. Touching hot glass with bare hands or a damp cloth can cause burns.

1. Disconnect power at the main fuse or circuit breaker panel.
2. Remove oven racks.
3. Slide a flat blade screwdriver between the housing and the glass light cover.
4. Support the glass light cover with two fingers to prevent the cover from falling to the bottom of the oven.
5. Gently twist the screwdriver blade to loosen the glass light cover. Be careful not to chip the oven coating.
6. Remove the glass light cover.
7. Remove the bulb by firmly grasping and sliding the bulb straight out until the two prongs have cleared the ceramic holder.
8. Do not touch the glass of the new replacement bulb with your fingers. It will cause the bulb to fail when it lights. Grasp the replacement bulb with a clean towel or facial tissue with the prongs facing down. Align the two prongs in the ceramic holder, pressing gently until the bulb is securely in the ceramic socket.
9. Slide the protective lens into the holder and push until the clips snap into the housing.
10. Reconnect power.

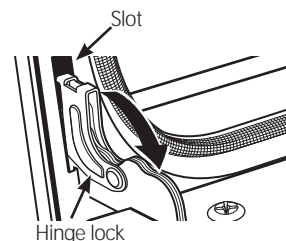
## Lift-Off Oven Door

The door is very heavy. Be careful when removing and lifting the door.

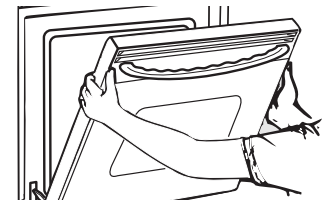
Do not lift the door by the handle.

### To remove the door:

1. Fully open the door.
2. Pull the hinge locks down toward the door frame, to the unlocked position. A tool, such as a small flat-blade screwdriver, may be required.
3. Firmly grasp both sides of the door at the top.
4. Close door to the door removal position. The door should be open approximately 3" with no obstruction above the door.
5. Lift door up and out until both hinge arms are clear of the slots.



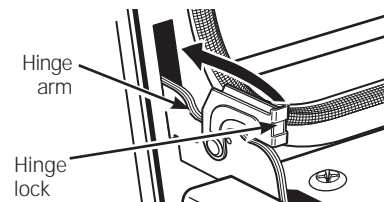
Pull hinge locks down to unlock



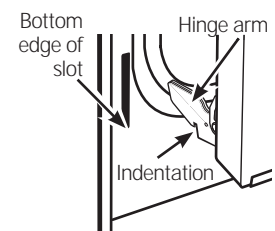
Removal position

### To replace the door:

1. Firmly grasp both sides of the door at the top.
2. Starting on the left side, with the door at the same angle as the removal position, seat the indentation of the hinge arm into the bottom edge of the hinge slot. The notch in the hinge arm must be fully seated into the bottom of the slot. Repeat for right side.
3. Fully open the door. If the door will not fully open, the indentation is not seated correctly in the bottom edge of the slot.
4. Push the hinge locks up against the front frame of the oven cavity, to the locked position.
5. Close the oven door.



Push hinge locks up to lock



## Troubleshooting tips ... Before you call for service

Save time and money! Review the charts on the following pages first and you may not need to call for service.

Problem	Possible Cause	What To Do
My new oven doesn't cook like my old one. Is something wrong with the temperature settings?	Your new oven has a different cooking system from your old oven and therefore may cook differently than your old oven.	For the first few uses, follow your recipe times and temperatures carefully. If you still think your new oven is too hot or too cold, you can adjust the temperature yourself to meet your specific cooking preference. <b>NOTE:</b> This adjustment affects Bake, Convection Bake 1 Rack and Convection Bake Multi temperatures; it will not affect Convection Roast, Broil or Clean.
Food does not bake properly	Oven controls improperly set.	See the Cooking Modes section.
	Rack position is incorrect or rack is not level.	See the Cooking Modes section and Cooking Guide.
	Incorrect cookware or cookware of improper size being used.	See the Cookware section.
	Oven temperature needs adjustment.	See the Special Features section.
	Ingredient substitution	Substituting ingredients can change the recipe outcome.
Food does not broil properly	Oven controls improperly set.	Make sure you select the appropriate broil mode.
	Improper rack position being used.	See Cooking Guide for rack location suggestions.
	Food being cooked in a hot pan.	Make sure cookware is cool.
	Cookware not suited for broiling.	Use a pan specifically designed for broiling.
	Aluminum foil used on the broiling pan and grid has not been fitted properly and slit as recommended.	If using aluminum foil conform to pan slits.
	In some areas the power (voltage) may be low.	Preheat the broil element for 10 minutes.
Oven temperature too hot or too cold	Oven temperature needs adjustment.	See the Special Features section.
Oven does not work or appears not to work	A fuse in your home may be blown or the circuit breaker tripped.	Replace the fuse or reset the circuit breaker.
	Oven controls improperly set.	See the Using the Oven section.
	Oven is in Sabbath Mode.	Verify, that the oven is not in Sabbath Mode. See the Special Features section.
"Crackling" or "popping" sound	This is the sound of the metal heating and cooling during both the cooking and cleaning functions.	This is normal.
Why is my range making a "clicking" noise when using my oven?	Your range has been designed to maintain a tighter control over your oven's temperature. You may hear your oven's heating elements "click" on and off more frequently than in older ovens to achieve better results during baking, broiling, convection, and self-clean cycles.	This is normal.
Clock and timer do not work	A fuse in your home may be blown or the circuit breaker tripped.	Replace the fuse or reset the circuit breaker.

# Troubleshooting tips ... Before you call for service

Problem	Possible Cause	What To Do
Oven light does not work	Light bulb is loose or defective.	Tighten or replace bulb.
	Pad operating light is broken.	Call for service.
Oven will not self-clean	The temperature is too high to set a self-clean operation.	Allow the oven to cool and reset the controls.
	Oven controls improperly set.	See the Cleaning the Oven section.
Excessive smoking during clean cycle	Excessive soil or grease.	Press the <b>Cancel/Off</b> pad. Open the windows to rid the room of smoke. Wait until the <b>LOCKED</b> light goes off. Wipe up the excess soil and reset the clean cycle.
Excessive smoking during broiling	Food too close to burner element.	Lower the rack position of the food.
Oven door will not open after a clean cycle	Oven too hot.	Allow the oven to cool below locking temperature.
Oven not clean after a clean cycle	Oven controls improperly set.	See the Cleaning the Oven section.
	Oven was heavily soiled.	Clean up heavy spillovers before starting the clean cycle. Heavily soiled ovens may need to self-clean again or for a longer period of time.
"LOCK DOOR" flashes in the display	The self-clean cycle has been selected but the door is not closed.	Close the oven door.
LOCKED light is on when you want to cook	The oven door is locked because the temperature inside the oven has not dropped below the locking temperature.	Press the <b>Cancel/Off</b> pad. Allow the oven to cool.
"F— and a number or letter" flash in the display	You have a function error code.	Press the <b>Cancel/Off</b> pad. Allow the oven to cool for one hour. Put the oven back into operation.
	If the function code repeats.	Disconnect all power to the oven for at least 30 seconds and then reconnect power. If the function error code repeats, call for service.
Display goes blank	A fuse in your home may be blown or the circuit breaker tripped.	Replace the fuse or reset the circuit breaker.
	The clock is turned off.	See the Special features section.
	Oven is in Sabbath Mode.	Verify that the oven is not in Sabbath Mode. See the Special Features section.
Power outage, clock flashes	Power outage or surge	Reset the clock. If the oven was in use, you must reset it by pressing the <b>Cancel/Off</b> pad, setting the clock and resetting any cooking function.
"Burning" or "oily" odor emitting from the vent	This is normal in a new oven and will disappear in time.	To speed the process, set a self-clean cycle for a minimum of 3 hours. See the Cleaning the Oven section.
Strong odor	An odor from the insulation around the inside of the oven is normal for the first few times the oven is used.	This is temporary and will go away after several uses or a self-clean cycle.
Fan noise	A cooling fan may automatically turn on.	This is normal. The cooling fan will turn on to cool internal parts. It may run for up to 1-1/2 hours after the oven is turned off.
My oven door glass appears to be "tinted" or have a "rainbow" color. Is this defective?	No. The inner oven glass is coated with a heat barrier to reflect the heat back into the oven to prevent heat loss and keep the outer door cool while baking.	This is normal. Under certain light or angles, you may see this tint or rainbow color.

## Troubleshooting tips ... Before you call for service

<b>Problem</b>	<b>Possible Cause</b>	<b>What To Do</b>
Sometimes the oven takes longer to preheat to the same temperature	<b>Cookware or food in oven</b>	The cookware or food in the oven will cause the oven to take longer to preheat. Remove items to reduce preheat time.
	<b>Number of racks in oven</b>	Adding more racks to the oven will cause the oven to take longer to preheat. Remove some racks.
	<b>Different cooking modes</b>	The different cooking modes use different preheat methods to heat the oven for the specific cooking mode. Some modes will take longer than others (i.e. convection bake multi).





# Horno de Pared

Eléctrico con Convección Incorporado

Información de Seguridad ..... 2

Garantía ..... 4

Asistencia / Accesorios ..... 5

**Uso del Horno**

Controles del Horno ..... 6

Funciones Especiales ..... 8

Estantes del Horno ..... 9

Papel de Aluminio y Cobertores  
del Horno ..... 9

Utensilios ..... 9

Modos de Cocción ..... 10

Guía de Cocción ..... 11

**Cuidado y Limpieza**

Panel de Control ..... 12

Exterior del Horno ..... 12

Superficies de Acero Inoxidable ..... 12

Interior del Horno ..... 12

Estantes Planos ..... 12

Mantenimiento ..... 13

**Consejos para la  
Solución de Problemas** ..... 14

## Manual del Propietario

- Horno de Pared Simple JK5000 de 27"
- Horno de Pared Simple JT5000 de 30"
- Horno de Pared Doble JK5500 de 27"
- Horno de Pared Doble JT5500 de 30"

For a Spanish version of this manual, visit our Website at [GEAppliances.com](http://GEAppliances.com).

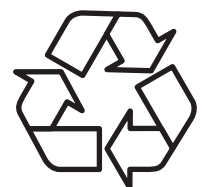
Para consultar una versión en español de este manual de instrucciones, visite nuestro sitio de internet [GEAppliances.com](http://GEAppliances.com).

Escriba los números de modelo y de serie aquí:

Nº de Modelo \_\_\_\_\_

Nº de Serie \_\_\_\_\_

Los podrá encontrar en una etiqueta en el borde lateral o en el frente del horno (inferior) detrás de la puerta del horno.



Impreso en  
Papel Reciclado

# INFORMACIÓN IMPORTANTE DE SEGURIDAD

## LEA TODAS LAS INSTRUCCIONES ANTES DE USAR

### ⚠️ ADVERTENCIA

Lea todas las instrucciones antes de usar el producto. Si no se siguen estas instrucciones se podrán producir incendios, descargas eléctricas, lesiones graves o la muerte.

### ADVERTENCIA DE LA PROPOSICIÓN 65 DEL ESTADO DE CALIFORNIA

La Ley sobre Agua Potable Inocua y Tratamiento de Residuos Tóxicos de California (California Safe Drinking Water and Toxic Enforcement Act) solicita al Gobernador de California que publique una lista de sustancias que el estado reconoce que producen cáncer, defectos de nacimiento u otros daños reproductivos y solicita a los empresarios que adviertan a sus clientes sobre la posible exposición a tales sustancias.

### ⚠️ ADVERTENCIA

Este producto contiene uno o más químicos que el Estado de California entiende que producen cáncer, defectos en el nacimiento u otros daños reproductivos.

Los hornos con limpieza automática pueden ocasionar exposiciones de bajo nivel a algunas de estas sustancias, incluyendo monóxido de carbono, durante el ciclo de limpieza. La exposición puede ser minimizada si se ventila con una ventana abierta o si se usa un ventilador o campana.

### ⚠️ ADVERTENCIA

## INSTRUCCIONES GENERALES DE SEGURIDAD

- Use este electrodoméstico sólo para su propósito original, como se describe en el Manual del Propietario.
- Solicite que un instalador calificado instale su electrodoméstico y que esté adecuadamente conectado a tierra, de acuerdo con las instrucciones de instalación provistas.
- No intente reparar o reemplazar ninguna parte del horno, a menos que se recomiende específicamente en este manual. Cualquier otra reparación deberá ser realizada por un técnico calificado.
- Antes de realizar cualquier servicio técnico, desconecte el suministro de corriente desde el panel de distribución del hogar, retirando el fusible o desconectando el disyuntor.
- No deje a los niños solos – no se deberá dejar a los niños solos o fuera de su radio de atención en el área donde el electrodoméstico se encuentre en uso. Nunca se les deberá permitir trepar, sentarse o pararse sobre ninguna parte del electrodoméstico.
- **⚠️ PRECAUCIÓN:** No coloque artículos de interés para los niños sobre los gabinetes que están sobre un horno – si los niños se trepan sobre el horno para llegar a estos artículos podrían sufrir lesiones graves.
- Use sólo mangos de ollas secas – los mangos húmedos sobre superficies calientes pueden producir quemaduras debido al vapor. No deje que los mangos de las ollas toquen los elementos que están calientes. No use una toalla u otra tela voluminosa para reemplazar el mango de las cacerolas.
- Nunca use el electrodoméstico para calentar o calefaccionar la habitación.
- No toque el elemento calentador ni la superficie interior del horno. Es posible que estas superficies estén demasiado calientes como para quemar, aunque su color sea oscuro. Durante y después del uso, no toque ni permita que telas u otros materiales inflamables toquen cualquier área interior del horno; espere a que haya pasado un tiempo suficiente para que se enfríen. Otras superficies del electrodoméstico se podrán calentar lo suficiente como para ocasionar lesiones. Las superficies potencialmente calientes incluyen la abertura de la ventilación del horno, superficies cercanas a la abertura y grietas alrededor de la puerta del horno.
- No caliente envases de comida que no hayan sido abiertos. Se podría acumular presión y el envase podría explotar, ocasionando una lesión.
- No use ningún tipo de aluminio o cobertor para cubrir el fondo del horno o cualquier parte del horno, excepto como se describe en este manual. Los cobertores de horno pueden atrapar el calor o derretirse, ocasionando daños sobre el producto y el riesgo de descargas, humo o incendios.
- Evite las ralladuras o impactos sobre las puertas de vidrio o los paneles de control. Hacer esto podrá producir la rotura de vidrios. No cocine un producto con un vidrio roto. Es posible que se produzcan descargas, incendios o cortes.
- Cocine carnes y carnes de ave en forma completa – la carne por lo menos a una temperatura interna de 160° F y la carne de ave por lo menos a una temperatura interna de 180° F. Normalmente la cocción a estas temperaturas es una protección contra las enfermedades transmitidas por la comida.

## GUARDE ESTAS INSTRUCCIONES

**⚠ ADVERTENCIA****MANTENGA LOS MATERIALES INFLAMABLES ALEJADOS DE LA COCINA**

Si esto no se cumple, se podrán sufrir lesiones personales graves o incendios.

- No guarde ni use materiales inflamables en o cerca de un horno, incluyendo papel, plástico, mangos de ollas, trapos, cobertores de pared, cortinas, paños y gasolina u otros vapores y líquidos inflamables.
- Nunca use prendas holgadas o que cuelguen mientras usa el electrodoméstico. Estas prendas se podrán incendiar si entran en contacto con superficies calientes, ocasionando quemaduras graves.
- No permita que la grasa de la cocción u otros materiales inflamables se acumulen en o cerca del horno. La grasa que está en o cerca del horno se podrá incendiar.

**⚠ ADVERTENCIA****EN CASO DE INCENDIO, SIGA LOS SIGUIENTES PASOS PARA EVITAR LESIONES O LA PROPAGACIÓN DEL FUEGO**

- No use agua sobre el fuego de la grasa. Nunca tome una olla que se esté incendiando.
- Si hay un incendio en el horno durante el horneado, ahogue el fuego cerrando la puerta del horno y apagando el mismo o usando un químico seco multipropósito o un extintor de incendio con espuma.
- En caso de que haya fuego en el horno durante el ciclo de limpieza automática, apague el horno y espere a que el fuego se extinga. No fuerce la puerta para abrirla. La entrada de aire fresco sobre las temperaturas de la limpieza automática podrá conducir a la producción de llamas en el horno. Si no se siguen estas instrucciones, se podrán producir quemaduras graves.

**⚠ ADVERTENCIA****INSTRUCCIONES DE SEGURIDAD DEL HORNO**

- Manténgase alejado del horno al abrir la puerta del mismo. El aire caliente o el vapor que sale puede causar quemaduras en las manos, rostro y/u ojos.
- Mantenga desobstruida la ventilación del horno.
- Mantenga el horno libre de acumulación de grasa. La grasa del horno se puede incendiar.
- Coloque los estantes del horno en la ubicación deseada mientras éste se encuentra frío. Si es necesario mover el estante mientras el horno está caliente, evite que el mango de la olla tenga contacto con el elemento calentador en el horno.
- Al usar las bolsas para cocinar o dorar en el horno, siga las instrucciones del fabricante.
- Es conveniente empujar hacia afuera los estantes estándares hasta el tope o empujar el estante extensible hasta la posición completamente abierta para levantar comidas pesadas. Esto también es una precaución contra quemaduras por tocar superficies calientes de la puerta o las paredes del horno.
- No deje productos tales como papel, utensilios de cocina ni comida en el horno cuando éste no se encuentre en uso. Los artículos guardados en el horno se pueden incendiar.
- Nunca coloque los utensilios de cocina, piedras para pizza u horneado o cualquier otro tipo de aluminio o cobertor en la base del horno. Estos ítems pueden atrapar el calor o derretirse, ocasionando daños sobre el producto y el riesgo de descargas, humo o incendios.

**⚠ ADVERTENCIA****INSTRUCCIONES DE SEGURIDAD DEL HORNO CON LIMPIEZA AUTOMÁTICA**

La función de limpieza automática usa el horno en temperaturas lo suficientemente altas como para consumir la suciedad de comida que haya dentro del horno. Para un funcionamiento seguro, siga estas instrucciones.

- No toque las superficies del horno durante el ciclo de limpieza automática. Mantenga a los niños alejados del horno durante la limpieza automática. Si no se siguen estas instrucciones, se podrán producir quemaduras.
- Antes de usar el ciclo de limpieza automática del horno, retire los estantes de color gris brillante (en algunos modelos), la sonda, cualquier papel de aluminio, y cualquier bandeja para asar, rejilla, u otros utensilios. Sólo se pueden dejar dentro del horno los estantes para horno cubiertos de porcelana.
- Antes de utilizar el ciclo de limpieza automática, limpie la grasa y restos de comida que haya en el horno. Una cantidad excesiva de grasa se puede incendiar, lo cual puede producir daños con humo en su hogar.
- Si el modo de limpieza automática funciona de forma incorrecta, apague el horno y desconecte el suministro de corriente. Solicite el servicio de un técnico calificado.
- No limpie la junta de la puerta. La junta de la puerta es esencial para un buen sellado. Se debe tener cuidado de no frotar, dañar ni mover la junta.
- No use limpiadores para horno. No se deberá usar limpiadores comerciales para horno ni revestimientos de protección para hornos de ningún tipo en o alrededor de cualquier parte del horno.

**GUARDE ESTAS INSTRUCCIONES**

# ¡Gracias! ... por su compra de un electrodoméstico de la Marca GE

**Registre su Electrodoméstico:** ¡Registre su electrodoméstico nuevo a través de Internet, según su conveniencia!

[www.geappliances.com/service\\_and\\_support/register/](http://www.geappliances.com/service_and_support/register/)

Un registro puntual de su producto permitirá una mejor comunicación y un servicio más puntual de acuerdo con los términos de su garantía, en caso de surgir la necesidad. También puede enviar una carta en la tarjeta de inscripción pre-impresa que se incluye con el material embalado.

## Garantía de la Cocina Eléctrica de GE

### GEAppliances.com

Todo el servicio de garantía es provisto por nuestros Centros de Servicio de Fabricación, o un técnico autorizado de Servicio al Cliente (Customer Care®). Para programar una visita del servicio técnico a través de Internet, visítenos en [www.geappliances.com/service\\_and\\_support/](http://www.geappliances.com/service_and_support/), o llame al 800.GE.CARES (800.432.2737). Cuando llame para solicitar el servicio, tenga los números de serie y de modelo disponibles.

Para realizar el servicio técnico de su electrodoméstico se podrá requerir el uso de datos del puerto de abordaje para su diagnóstico. Esto da al técnico del servicio de fábrica de GE la habilidad de diagnosticar de forma rápida cualquier problema con su electrodoméstico, y de ayudar a GE a mejorar sus productos al brindarle a GE la información sobre su electrodoméstico. Si no desea que los datos de su electrodoméstico sean enviados a GE, solicitamos que le indique a su técnico no entregar los datos a GE en el momento del servicio.

Durante el período de un año desde la fecha original de compra. GE le brindará cualquier parte de la cocina que falle debido a un defecto en los materiales o la fabricación. Durante esta garantía limitada de un año, GE también proveerá, sin costo, todo el trabajo y el servicio en el hogar relacionado con el reemplazo de la parte que presente defectos.

### Qué no cubrirá GE:

- Viajes del técnico del servicio a su hogar para enseñarle sobre cómo usar el producto.
- Instalación, entrega o mantenimiento inadecuados.
- Fallas del producto en caso de abuso, mal uso, modificación o uso para propósitos diferentes al original o uso comercial.
- Reemplazo de fusibles de la casa o reinicio de disyuntores.
- Daños ocasionados sobre el producto por accidente, incendio, inundaciones o catástrofes naturales.
- Daños incidentales o consecuentes causados por posibles defectos sobre este producto.
- Daño causado después de la entrega.
- Producto no accesible para brindar el servicio requerido.
- Solicite el servicio técnico para reparar o reemplazar las lámparas, excepto las lámparas LED.

### EXCLUSIÓN DE GARANTÍAS IMPLÍCITAS

Su única y exclusiva alternativa es la reparación del producto, como se indica en la Garantía Limitada. Las garantías implícitas, incluyendo garantías implícitas de comerciabilidad o conveniencia sobre un propósito particular, se limitan a un año o al período más corto permitido por la ley.

Esta garantía se extiende al comprador original y a cualquier dueño subsiguiente de productos comprados para uso hogareño dentro de EE.UU. Si el producto está en un área donde no se encuentra disponible un Proveedor Autorizado del Servicio Técnico de GE, usted será responsable por el costo de un viaje o se podrá requerir que traiga el producto a una ubicación del Servicio Técnico de GE Autorizado para recibir el servicio. En Alaska, la garantía excluye el costo de envío o llamadas del servicio a su hogar.

Algunos estados no permiten la exclusión o limitación de daños fortuitos o consecuentes. Esta garantía le da derechos legales específicos y es posible que tenga otros derechos legales que varían entre un estado y otro. Para conocer cuáles son sus derechos legales, consulte a la oficina de asuntos del consumidor local o estatal o al Fiscal de su estado.

Garante: General Electric Company. Louisville, KY 40225

**Garantías Extendidas:** Adquiera una garantía extendida de GE y aprenda sobre descuentos especiales que están disponibles mientras su garantía aún está vigente. La puede adquirir en cualquier momento a través de Internet en

[www.geappliances.com/service\\_and\\_support/shop-for-extended-service-plans.htm](http://www.geappliances.com/service_and_support/shop-for-extended-service-plans.htm)

o llamando al 800.626.2224 durante el horario comercial habitual. Los Servicios para el Consumidor Hogareño de GE aún estarán allí cuando su garantía caduque.

## ¿Desea realizar una consulta o necesita ayuda con su electrodoméstico?

¡Consulte el Sitio Web de Electrodomésticos de GE ([www.geappliances.com/service\\_and\\_support/](http://www.geappliances.com/service_and_support/)) durante las 24 horas, cualquier día del año! Para mayor conveniencia y un servicio más rápido, ahora puede descargar el Manual del Propietario, ordenar piezas o incluso programar el servicio técnico a través de Internet.

**Servicio Programado:** El servicio de reparación de expertos de GE está a sólo un paso de su puerta. Entre a Internet y programe su servicio en [www.geappliances.com/service\\_and\\_support/](http://www.geappliances.com/service_and_support/) o llame al 800.GE.CARES (800.432.2737) durante el horario de atención comercial.

**Piezas y Accesorios:** Aquellas personas calificadas para realizar el servicio técnico sobre sus propios electrodomésticos podrán solicitar el envío de piezas o accesorios directamente a sus hogares (se aceptan las tarjetas VISA; MasterCard y Discover). Ordene a través de Internet hoy, durante las 24 horas o en forma telefónica al 800.626.2002 durante el horario de atención comercial.

Las instrucciones que figuran en este manual cubren los procedimientos que serán realizados por cualquier usuario. Otros servicios técnicos generalmente deberían ser derivados a personal calificado del servicio. Se deberá tener cuidado, ya que una reparación indebida podrá hacer que el funcionamiento no sea seguro.

**Estudio de Diseño de la Vida Real:** GE apoya el concepto de Diseño Universal en productos, servicios y ambientes que pueden ser usados por personas de todas las edades, tamaños y capacidades. Reconocemos la necesidad de realizar diseños para una amplia gama de habilidades e incapacidades físicas y mentales. Para más detalles sobre las aplicaciones de Diseño Universal de GE, incluyendo ideas de diseño de cocinas para personas con incapacidades, visite nuestro sitio web hoy. Sobre casos de incapacidad auditiva, comuníquese al 800.TDD.GEAC (800.833.4322).

**Contáctenos:** Si no se encuentra satisfecho con el servicio que recibió de GE, comuníquese con nosotros a través de nuestro sitio web con todos los detalles, incluyendo su número telefónico, o escriba a:

**General Manager, Customer Relations**  
**GE Appliances, Appliance Park Louisville, KY 40225**

## Accesorios

¿Busca Algo Más?

¡GE ofrece una variedad de accesorios para mejorar sus experiencias de cocción y mantenimiento!

Para realizar una orden, visítenos a través de Internet en:

**www.GEApplianceParts.com** (EE.UU.) o en **www.GEAppliances.ca** (Canadá)  
 o llame al **800.626.2002** (EE.UU.) **800.661.1616** (Canadá)

Estos y otros productos están disponibles:

### Accesorios

Olla para Asar Pequeña (8 ¾" x 1 ¼" x 13 ½")	WB48X10055 (EE.UU.) 222D2097G001 (Canadá)
Olla para Asar Grande* (12 ¾" x 1 ¼" x 16 ½")	WB48X10056 (EE.UU.) 222D2097G002 (Canadá)
Olla para Asar Extra Grande* (17 ¾" x 1 ¼" x 19 ½")	WB48X10057 (EE.UU.) No disponible en Canadá

### Piezas

Estantes del horno	Los números de pieza varían según el modelo
Elementos del horno	Los números de pieza varían según el modelo
Lámparas de luz	Los números de pieza varían según el modelo
Sonda	Los números de pieza varían según el modelo

### Suministros de Limpieza

Limpiadores de Acero Inoxidable CitriShine	WX10X10007
Limpiador de Electrodomésticos de Acero Inoxidable CeramaBryte	PM10X311

\*La olla para asar grande no entra en cocinas de 20"/24".

\*\*La olla XL no entra en hornos de pared de 24", empotrables de 27" o cocinas de 20"/24".

## Cómo Retirar la Película Protectora de Envío y la Cinta de Embalaje

Con cuidado tome un extremo de la película protectora de envío con los dedos y lentamente retire la misma de la superficie del electrodoméstico.

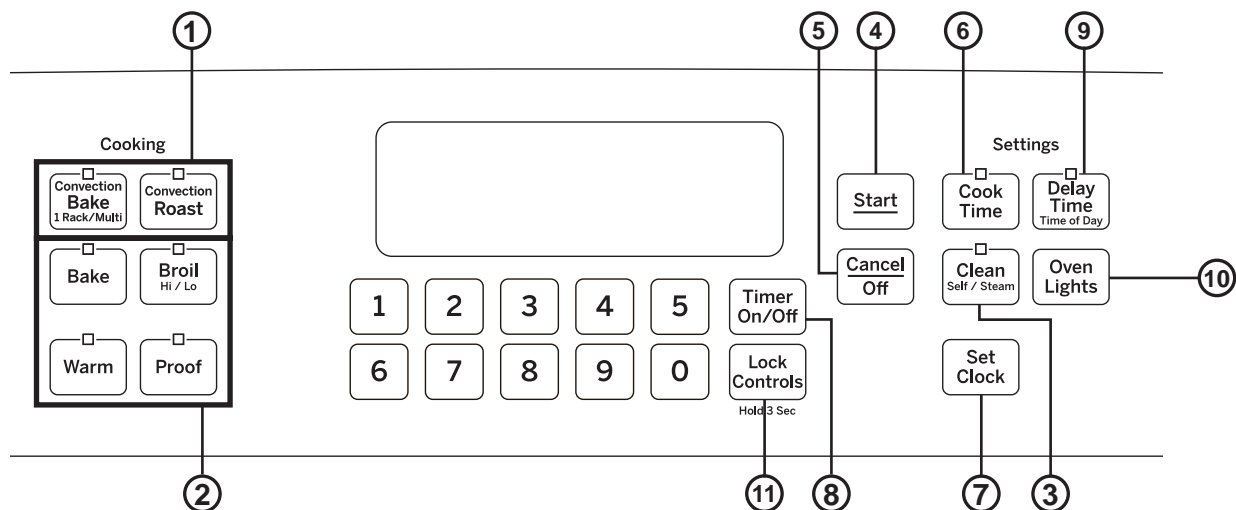
No utilice ningún producto filoso para retirar la película. Retire toda la película antes de usar el electrodoméstico por primera vez.

Para asegurar que no haya daños sobre el acabado del

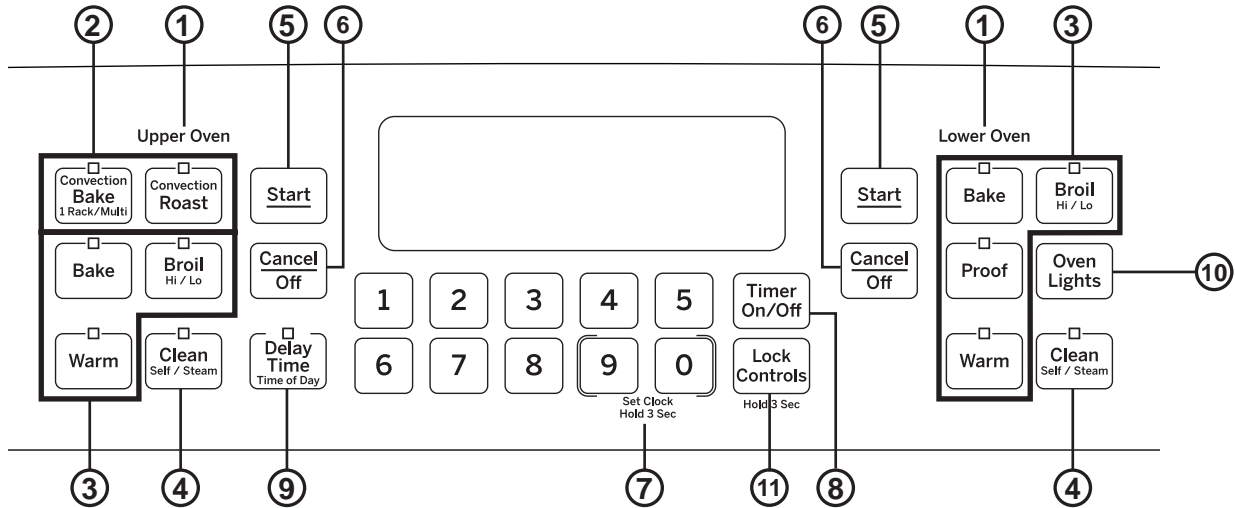
producto, la forma más segura de retirar el adhesivo de la cinta de embalaje en electrodomésticos nuevos es aplicando un detergente líquido hogareño para lavar platos. Aplique con una tela suave y deje que se seque.

**NOTA:** El adhesivo deberá ser eliminado de todas las partes. No se puede retirar si se hornea con éste dentro.

# Horno de Pared Simple



- 1. Convection Cooking Modes (Modos de Cocción por Convección):** Los modos de cocción por convección utilizan una circulación de aire incrementada para mejorar el rendimiento. El tipo de beneficio depende del modo. Su horno cuenta con los siguientes modos de cocción por convección: Convection Bake (Hornear por Convección) (1 o Múltiples Estantes) y Convection Roast (Asar por Convección). Para más información, consulte la sección de Modos de Cocción.
- 2. Traditional Cooking Modes (Modos de Cocción Tradicionales):** Su horno cuenta con los siguientes modos de cocción tradicionales: Bake (Hornear), Broil Hi (Asar Alto), Broil Lo (Asar Bajo), Proof (Leudar) y Warm (Calentar). Para más información, consulte la sección de Modos de Cocción.
- 3. Clean (Limpieza):** El horno cuenta con dos modos de limpieza: Self Clean (Limpieza Automática) y Steam Clean (Limpieza con Vapor). Para acceder a información importante sobre el uso de estos modos, consulte la sección de Limpieza del Horno.
- 4. Start (Iniciar):** Se deberá presionar para comenzar cualquier función de cocción, limpieza o por tiempo.
- 5. Cancel/Off (Cancelar/ Apagar):** Cancelar TODAS las operaciones del horno excepto el reloj y el temporizador.
- 6. Cook Time (Tiempo de Cocción):** Cuenta el tiempo de cocción y apaga el horno cuando el tiempo de cocción está completo. Presione la tecla **Cook Time (Tiempo de Cocción)**, use las teclas numéricas para programar un tiempo de cocción en horas y minutos, y luego presione **Start (Iniciar)**. Esto sólo puede ser usado con Traditional Bake (Horneado Tradicional), Convection Bake (Hornear por Convección), Convection Bake Multi (Hornear por Multi Convección), y Convection Roast (Dorar por Convección).
- 7. Clock (Reloj):** Configure la hora del reloj del horno: Presione la tecla **Set Clock (Configurar Reloj)** y las teclas numéricas para programar el reloj. Presione **Start (Iniciar)** para guardar la configuración de la hora.
- 8. Timer (Temporizador):** Funciona como un temporizador con cuenta regresiva: Presione la tecla **Timer (Temporizador)** y las teclas numéricas para programar el tiempo en horas y minutos. Presione la tecla **Start (Iniciar)** El horno continuará funcionando cuando la cuenta regresiva del temporizador se haya completado. Para apagar el temporizador, presione la tecla **Timer (Temporizador)**.
- 9. Delay Time (Tiempo de Retraso):** Genera un retraso cuando el horno es encendido. Use esta tecla para configurar el momento en que desea que el horno se inicie. Presione la tecla **Delay Time (Tiempo de Retraso)** y use las teclas numéricas para programar la hora del día en que desea que el horno se encienda y presione **Start (Iniciar)**. Presione el modo de cocción deseado y la temperatura y luego presione **Start (Iniciar)**. Si lo desea, también puede ser programado un tiempo de cocción. Siga las instrucciones de Cook Time (Tiempo de Cocción) para configurar esta función. Esto sólo puede ser usado con Bake (Hornear), Convection Bake (1 Rack/Multi) (Hornear por Convección, 1 o Múltiples Estantes) Convection Roast (Dorar por Convección) y Self-Clean (Limpieza Automática).  
**NOTA:** Al usar la función de tiempo de retraso, las comidas que se echan a perder rápidamente, tales como leche, huevos, pescado, rellenos, ave y cerdo, no se deberán dejar reposar por más de 1 hora antes y después de la cocción. La temperatura ambiente estimula el desarrollo de bacterias nocivas. Asegúrese de que la luz del horno esté apagada, ya que el calor de la lámpara acelerará el crecimiento de bacterias nocivas.
- 10. Oven Light(s) (Luz(es) del Horno):** Enciende o apaga la luz(es) del horno.
- 11. Lock Controls (Controles de Bloqueo):** Bloquean el control de modo que al presionar las teclas no se activen los controles. Mantenga presionada la tecla **Lock Controls (Controles de Bloqueo)** durante tres segundos para bloquear o desbloquear el control. La función **Cancel/Off (Cancelar/ Apagar)** siempre está activa, incluso cuando el control está bloqueado.



- Upper Oven and Lower Oven (Horno Superior y Horno Inferior):** Designa qué horno operarán los controles.
- Convection Cooking Modes (Modos de Cocción por Convección):** Los modos de cocción por convección utilizan una circulación de aire incrementada para mejorar el rendimiento. El tipo de beneficio depende del modo. Su horno cuenta con los siguientes modos de cocción por convección: Convection Bake (1 Rack /Multi) (Horneado por Convección, 1 o Múltiples Estantes) y Convection Roast (Asar por Convección). Para más información, consulte la sección de Modos de Cocción.
- Traditional Cooking Modes (Modos de Cocción Tradicionales):** Su horno cuenta con los siguientes modos de cocción tradicionales: Bake (Hornear), Broil Hi (Asar Alto), Broil Lo (Asar Bajo), Proof (Leudar) (Horno Inferior) y Warm (Calentar). Para más información, consulte la sección de Modos de Cocción.
- Clean (Limpieza):** El horno cuenta con dos modos de limpieza: Self Clean (Limpieza Automática) y Steam Clean (Limpieza con Vapor). Para acceder a información importante sobre el uso de estos modos, consulte la sección de Limpieza del Horno.
- Start (Iniciar):** Se deberá presionar para comenzar cualquier función de cocción, limpieza o por tiempo.
- Cancel/Off (Cancelar/ Apagar):** Cancelar TODAS las operaciones del horno excepto el reloj y el temporizador.
- Clock (Reloj):** Configure el tiempo del reloj del horno. Mantenga presionadas las teclas **9** y **0** durante 3 segundos. Use las teclas numéricas para programar el reloj.. Presione **Start (Iniciar)** para guardar la configuración de la hora.
- Timer (Temporizador):** Funciona como un temporizador con cuenta regresiva: Presione la tecla **Timer (Temporizador)** y las teclas numéricas para programar el tiempo en horas y minutos. Presione la tecla **Start (Iniciar)** El horno continuará funcionando cuando la cuenta regresiva del temporizador se haya completado. Para apagar el temporizador, presione la tecla **Timer (Temporizador)**.
- Delay Time (Tiempo de Retraso):** Genera un retraso cuando el horno es encendido. Use esta tecla para configurar el momento en que desea que el horno se inicie. Presione la tecla **Delay Time (Tiempo de Retraso)** y use las teclas numéricas para programar la hora del día en que desea que el horno se encienda y luego presione **Start (Iniciar)** Presione el modo de cocción deseado y la temperatura y luego presione **Start (Iniciar)**. Esto sólo puede ser usado con Bake (Hornear), Convection Bake (Hornear por Convección, 1 o Múltiples Estantes) Convection Roast (Dorar por Convección) y Self-Clean (Limpieza Automática).  
**NOTA:** Al usar la función de tiempo de retraso, las comidas que se echan a perder rápidamente, tales como leche, huevos, pescado, rellenos, ave y cerdo, no se deberán dejar reposar por más de 1 hora antes y después de la cocción. La temperatura ambiente estimula el desarrollo de bacterias nocivas. Asegúrese de que la luz del horno esté apagada, ya que el calor de la lámpara acelerará el crecimiento de bacterias nocivas.
- Oven Light(s) (Luz(es) del Horno):** Enciende o apaga la luz(es) en ambos hornos. Se debe observar que las luces de ambos hornos no se encenderán si la puerta es abierta mientras el otro horno se encuentra en el modo de limpieza.
- Lock Controls (Controles de Bloqueo):** Bloquean el control de modo que al presionar las teclas no se activen los controles. Mantenga presionada la tecla **Lock Controls (Controles de Bloqueo)** durante tres segundos para bloquear o desbloquear el control. La función **Cancel/Off (Cancelar/ Apagar)** siempre está activa, incluso cuando el control está bloqueado.

## Funciones especiales

Existen varias funciones especiales en su horno de pared. Para modificar las configuraciones de estas funciones especiales, mantenga presionadas las teclas **BAKE (Hornear)** y **BROIL (Asar)** al mismo tiempo durante tres segundos. "SF" aparecerá en la pantalla. Seleccione la función que desee modificar. Una vez realizado el cambio, presione la tecla **START (Iniciar)** para guardar dicho cambio y regrese a la hora del día.

### Ajuste de la Temperatura del Horno

Esta función permite que la temperatura de horneado del horno y de horneado por convección sean ajustadas hasta 35°F más caliente o 35°F más fría. Use esta función si piensa que la temperatura de su horno es demasiado caliente o demasiado fría y desea modificarla.

**Para los modelos con horno doble, los hornos superior e inferior se ajustan de forma separada.** Este ajuste afecta los modos Bake (Hornear), y Convection Bake (1 Rack/Multi) (Hornear por Convección, 1 o Múltiples Estantes). Ningún otro modo de cocción se ve afectado.

Presione la tecla **Bake (Hornear)** para seleccionar el horno que será ajustado. Presione la tecla **Bake (Hornear)** nuevamente para ingresar el modo de ajuste de temperatura. Se exhibirá un número entre 35 y - 35. Use las teclas numéricas para configurar el ajuste de temperatura deseado y use la tecla **Bake (Hornear)** para realizar cambios en forma descendente y ascendente. Presione la tecla **Start (Iniciar)** para guardar el ajuste de temperatura.

### Sonido de Finalización del Temporizador

Se trata de un tono que indica la finalización de un temporizador. El tono puede ser continuo (bEEP Cont) o un pitido repetido (bEEP). Una configuración continua seguirá haciendo que un tono suene hasta que un botón del control sea presionado. Presione la tecla **Broil (Asar)** para visualizar la configuración actual y luego modifique la configuración.

### Selección de Temperatura Fahrenheit o Celsius

El control del horno está configurado para su uso con temperaturas Fahrenheit (F), pero lo puede modificar a temperaturas Celsius (C). Presione las teclas numéricas **6** y **8** al mismo tiempo para visualizar la configuración actual; presione nuevamente para modificar la configuración.

### Pantalla del Reloj

Esta función especifica cómo la hora del día será exhibida o si no se exhibirá la hora del día. Puede seleccionar el reloj con hora estándar de 12 horas (12 H), la hora militar de 24 horas (24 H), o que no se exhiba ningún reloj (oFF) (Apagado). Presione la tecla **Clock (Reloj)** para visualizar la configuración actual, y vuelva a presionar la misma para modificar la configuración.

### Conversión de Auto Recipe

Al usar las opciones de cocción Convection Bake 1 Rack (Hornear por Convección en 1 Estante) o Convection Bake Multi Rack (Hornear por Convección en Múltiples Estantes), Auto Recipe Conversion (Conversión de Auto Receta) convertirá de forma automática las temperaturas de horneado regular ingresadas a temperaturas de cocción de horneado por convección cuando se active. Se debe observar que esta opción no convierte los tiempos de cocción del horneado por convección, sino sólo las temperaturas. Presione la tecla **Convection Bake (1 Rack/Multi) (Hornear por Convección en 1 o Múltiples Estantes)** para visualizar la configuración de conversión; vuelva a presionar para alternar entre On (Con On) (Encendido Continuo) y Off (Con Off) (Apagado Continuo).

### Volumen del Sonido

Esta función permite que el volumen del tono del horno sea ajustado entre alto (HI bEEP HI) (Pitido Alto), medio (Std bEEP Std) (Pitido Estándar) y apagado (oFF bEEP oFF) (Pitido Apagado). Presione las teclas numéricas **1** y **5** al mismo tiempo para visualizar la configuración actual o para modificar la configuración. El control hará que el tono del horno suene en el nuevo nivel de volumen cada vez que el nivel de sonido sea modificado.

### Apagado automático de 12 horas y Modo Sabático

Las opciones de esta función son "12 SHdn" (Apagar Luego de 12 Horas), "no SHdn" (No Apagar) y "SAbbAtH" (Sabático).

El apagado automático de 12 horas apaga el horno luego de 12 horas de operaciones continuas.

El modo sabático desactiva las luces del horno (la luz del horno no se encenderá cuando la puerta sea abierta), todos los sonidos (el control no emitirá un pitido cuando se presione un botón), los modos de Convección, los modos de Asado, Calentar, Leudar, Tiempo de Cocción, Temporizador, Reloj, y las funciones de Tiempo Retrasado. El modo sabático sólo puede ser usado con la función Bake (Hornear). Esta función se activa conforme con los requisitos Sabáticos Judíos de la Estrella K.

Mantenga presionadas las teclas **Bake (Hornear)** y **Broil (Asar)** durante 3 segundos para ingresar al modo de funciones especiales.

Presione la tecla **Delay Clock (Reloj Retrasado)** para visualizar la configuración actual y luego para modificar la configuración.

Para usar el modo Sabbath (Sabático), seleccione "SAbbAtH" (Sabático) y presione **Start (Iniciar)**. Aparecerá una ] en la pantalla y el reloj no será exhibido. Observe que si cuenta con un horno de pared doble, al colocar el control en el modo Sabático, ambos hornos están ahora en el modo sabático y están disponibles para la cocción.

Una vez en el modo Sabbath (Sabático), en cualquier momento puede presionar **Bake (Hornear)**; use las teclas numéricas para ingresar una temperatura entre 170°F y 550°F, y presione **Start (Iniciar)**. No se emitirá ningún sonido cuando las teclas sean presionadas. En un momento al azar entre los 30 segundos y 1 minuto, ][, aparecerá en la pantalla indicando que el horno está en funcionamiento.

Observe que ambos hornos de un horno de pared doble pueden ser usados en el modo sabático. Cada horno puede ser programado en una temperatura diferente y cada horno debe ser programado por separado.

Si necesita ajustar la temperatura, presione **Bake (Hornear)**, use las teclas numéricas para ingresar una nueva temperatura entre 170° F y 550° F, y presione **Start (Iniciar)**.

Para apagar el horno, presione **Cancel/Off (Cancelar/ Apagar)** en cualquier momento. **El horno se apagará inmediatamente** y el ícono, ][, cambiará a ], indicando que el horno fue apagado.

Observe que cada horno de un horno de pared doble se deberá apagar por separado.

Para salir del modo sabático, asegúrese de que el horno esté apagado. Mantenga presionadas las teclas **Bake (Hornear)** y **Broil (Asar)** durante 3 segundos para ingresar a las funciones especiales, luego presione **Delay Time (Tiempo Retrasado)** hasta que "12 SHdn" (Apagar Luego de 12 Horas) o "no SHdn" (No Apagar) aparezcan en la pantalla y presione **Start (Iniciar)**.

**NOTA:** Si se produce un corte de corriente durante el modo Sabático, la unidad permanecerá en el modo Sabático pero apagada cuando vuelva la corriente.

Si desea usar la función Cook Time (Tiempo de Cocción) (si está disponible) para hornear en el horno y luego hacer que éste se apague de forma automática, deberá presionar el botón Cook Time (Tiempo de Cocción), ingresar una duración del tiempo de cocción, y presionar Start (Iniciar). Luego ingrese a las funciones especiales para iniciar el modo Sabbath (Sabático), como se detalla más arriba.



## Estantes del Horno

El horno cuenta con seis posiciones de estantes. En la Guía de Cocción, se brindan recomendaciones de posiciones de los estantes para diferentes tipos de comidas. Se ajusta un estante en una dirección para afectar los resultados de cocción. Por ejemplo, si se prefieren partes superiores más oscuras en tartas, panecillos o galletas, pruebe moviendo la comida a un estante que se encuentre una posición más arriba. Si encuentra que las comidas están demasiado doradas en la parte superior, pruebe moviendo las mismas más abajo la próxima vez.

Al hornear con múltiples ollas y en múltiples estantes, asegúrese de que haya suficiente espacio entre las ollas para que fluya el aire.

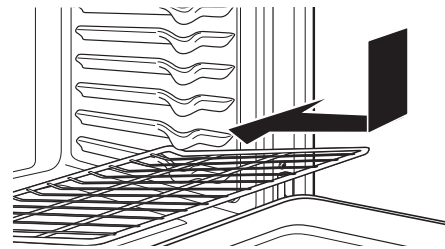
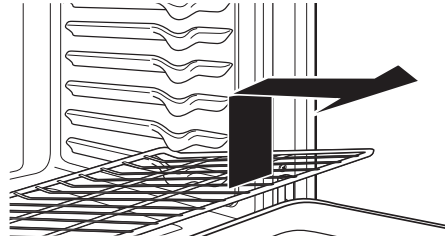
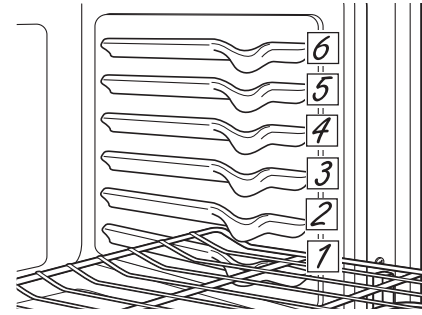
### Flat Racks

Al colocar y retirar utensilios de cocina, empuje el estante hacia afuera del tope (posición de detención) sobre el soporte del estante.

Para retirar el estante, empuje el mismo hacia usted, incline el extremo frontal hacia arriba y empuje hacia afuera.

Para hacer un reemplazo, coloque el extremo curvo del estante (bloqueadores) en los soportes del horno, incline hacia arriba el frente y empuje el estante hacia adentro.

Es posible que resulte difícil deslizar los estantes, especialmente luego de la limpieza automática. Coloque aceite vegetal en una tela húmeda o toalla de papel y frote sobre los extremos izquierdo y derecho.



## Papel de Aluminio y Cobertores del Horno

**⚠ PRECAUCIÓN:** No use ningún tipo de aluminio o cobertor de horno para cubrir el fondo del horno. Estos ítems pueden atrapar el calor o derretirse, ocasionando daños sobre el producto y el riesgo de descargas, humo o incendios. Los daños por uso inadecuado de estos ítems no están cubiertos por la garantía del producto.

Se podrá usar aluminio para evitar derrames, colocando una hoja sobre un estante inferior varias pulgadas debajo de la comida. No use más aluminio que el necesario y nunca cubra totalmente el estante de un horno con papel de aluminio. Mantenga el aluminio a por lo menos 1 1/2" de las paredes del horno, para evitar una circulación deficiente del calor.

## Utensilios

### Pautas de Uso de Utensilios

El material, el acabado y el tamaño de los utensilios afectan el horneado.

Las ollas oscuras, revestidas y opacas absorben el calor más rápidamente que las ollas claras y brillantes. Al usar ollas que absorben el calor más rápidamente, las comidas podrán resultar más doradas, crocantes y con una capa más gruesa.

Si utiliza utensilios oscuros y revestidos, controle la comida antes del tiempo mínimo de cocción. Si se obtienen resultados no deseados con este tipo de utensilios, considere la posibilidad de reducir la temperatura del horno en 25° F la próxima vez.

Las ollas brillantes pueden producir resultados de horneado más parejos en tortas y galletas.

Las ollas de vidrio y cerámica calientan con lentitud, pero retienen bien el calor.

Estos tipos de ollas funcionan bien con platos tales como tartas y postres con natilla.

Las ollas con aislante de aire calientan lentamente y pueden producir fondos dorados.

Mantenga los utensilios limpios para una cocción más pareja.

## Modos de Cocción

Su nuevo horno posee una variedad de modos de cocción para que pueda obtener los mejores resultados. Estos modos se describen a continuación. Para acceder a recomendaciones para comidas específicas, consulte la sección de la Guía de Cocción. Recuerde que es posible que su nuevo horno funcione de manera diferente que aquel que está reemplazando.

### Modos de Horneado y Dorado

Seleccione un modo para hornear y dorar basado en el tipo y cantidad de comida que está preparando. Al preparar comidas horneadas tales como tartas, galletas y masas, siempre precaliente el horno primero. Siga las recomendaciones de la receta sobre la colocación de la comida. Si no se brindan pautas, centre la comida en el horno.

#### Horneado Tradicional

El modo de horneado tradicional está pensado para la cocción en un solo estante. Este modo usa el calor principalmente desde el elemento inferior, pero también desde el elemento superior para cocinar la comida. Para usar este modo, presione la tecla **Bake (Hornear)**, ingrese una temperatura, y luego presione **Start (Iniciar)**. El precalentamiento generalmente se recomienda al usar este modo.

#### Horneado por Convección en 1 Estante

El modo Convection Bake 1 Rack (Horneado por Convección en 1 Estante) está pensado para la cocción en un solo estante. Este modo utiliza el calor del elemento inferior y también de los elementos superior y trasero, junto con el movimiento del ventilador de la convección, para que la cocción sea más pareja. El horno está equipado con la función Auto Recipe Conversion (Conversión de Receta Automática); de modo que no es necesario convertir la temperatura al usar este modo. Para usar este modo, presione la tecla **Convection Bake (1 Rack/Multi) (Hornear por Convección en 1 o Múltiples Estantes)**, ingrese una temperatura, y luego presione **Start (Iniciar)**. El precalentamiento generalmente se recomienda al usar este modo.

#### Horneado por Convección en Estantes Múltiples

El modo Convection Bake Multi Rack (Horneado por Convección en Estantes Múltiples) está pensado para hornear en múltiples estantes al mismo tiempo. Este modo utiliza el calor principalmente desde el elemento trasero, pero también calienta desde los elementos superior e inferior, junto con el movimiento de aire desde el ventilador por convección para mejorar una cocción pareja. El horno está equipado con la función Auto Recipe Conversion (Conversión de Receta Automática); de modo que no es necesario convertir la temperatura al usar este modo. Es posible que el tiempo de horneado sea un poco más prolongado con estantes múltiples, en comparación con lo que se espera con un solo estante. Para usar este modo, presione la tecla **Convection Bake (1 Rack/Multi) (Hornear por Convección en 1 o Múltiples Estantes) dos veces**, ingrese una temperatura, y luego presione **Start (Iniciar)**. Siempre realice el precalentamiento al usar este modo.

#### Dorar por Convección

El modo Convection Roast (Dorado por Convección) está pensado para dorar cortes enteros de carne en un solo estante. Este modo utiliza el calor de los elementos inferior, superior y trasero, junto con el movimiento del ventilador por convección, a fin de mejorar el dorado y reducir el tiempo de cocción. No es necesario convertir la temperatura. Cuando use este modo, o si usa la sonda, controle la comida antes que el tiempo sugerido en la receta. Para usar este modo, presione la tecla **Convection Bake (Hornear por Convección)**, ingrese una temperatura, y luego presione **Start (Iniciar)**. No es necesario realizar el precalentamiento al usar este modo.

#### Modo para Asar

Siempre ase con la puerta cerrada. El elemento para asar en el horno es muy potente. Monitoree la comida de cerca al asar. Tenga cuidado al asar en posiciones de estantes superiores, ya que colocar la comida más cerca del elemento para asar incrementa el humo, salpicaduras y la posibilidad de que se incendien las grasas. **No se recomienda asar en el estante de la posición 6.**

Intente asar las comidas que normalmente haría a la parrilla. Ajuste las posiciones de los estantes para ajustar la intensidad del calor a la comida. Coloque las comidas más cerca del elemento para asar, cuando se desee una superficie más cocinada y un interior poco cocido. Las comidas más gruesas y las comidas cuyo interior debe ser cocinado deberían ser asadas en un estante en una posición alejada del usado para asar, o usando las funciones Broil Lo (Asar Bajo).

#### Asar Alto

El modo Broil Hi (Asar Alto) usa calor intenso del elemento superior para soasar las comidas. Use la función Broil Hi (Asado Alto) para cortes más delgados de carne y/o comidas que prefiera que queden menos cocinadas en su interior. Para usar este modo, presione la tecla **Broil (Asar)** una vez en **Traditional (Tradicional)** y luego presione **Start (Iniciar)**. No es necesario realizar el precalentamiento al usar este modo.

#### Asar Bajo

El modo Broil Lo (Asar Bajo) usa menos calor intenso del elemento superior para cocinar la comida completamente mientras también se realiza el dorado superficial. Use la función Broil Lo (Asado Bajo) para cortes de carne más gruesos y/o comidas que desee que queden completamente cocinadas. Para usar este modo, presione la tecla **Broil (Asar) dos veces** y luego presione **Start (Iniciar)**. No es necesario realizar el precalentamiento al usar este modo.

#### Leudar

El modo Proof (Leudar) está diseñado para elevar (fermentar y leudar) masas de pan. Presione la tecla **Proof (Leudar)** y luego presione **Start (Iniciar)**. Cubra bien la masa para evitar que se seque. El pan se elevará más rápidamente que a temperatura ambiente. Se deberá observar que con los hornos de pared doble, la función para leudar no se podrá activar cuando se esté usando un modo de limpieza en el horno inferior.

#### Calentar

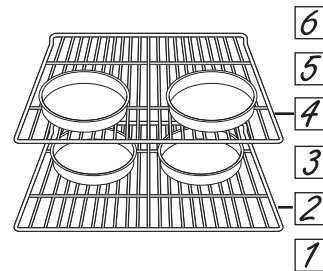
El modo Warm (Calentar) está diseñado para mantener comidas calientes hasta durante 3 horas. Para usar este modo, presione la tecla **Warm (Caliente)** y luego presione **Start (Iniciar)**. Cubra las comidas que necesitan mantener la humedad y no cubra aquellas comidas que deberían quedar crujientes. No se requiere precalentar las mismas. No use la función Warm (Calentar) para calentar comida fría, excepto galletas crujientes, papas fritas o cereales secos. También se recomienda que la comida no se mantenga caliente por más de dos horas.

# Guía de Cocción

TIPO DE COMIDA	MODO(S) RECOMENDADO(S)	POSICIÓN(ES) DE ESTANTES RECOMENDADA	SUGERENCIAS ADICIONALES
<b>Productos Horneados</b>			
Tortas con capas, tortas rectangulares, roscas, panecillos, pan rápido en un Solo Estante	Horneado Tradicional	3	Use utensilios brillantes.
Tortas con capas* en Múltiples Estantes	Horneado Tradicional	2 y 4	Asegúrese de que haya un flujo de aire adecuado (Vea la ilustración).
Tortas de grasa (pastel de ángel)	Horneado Tradicional	1	Use utensilios brillantes.
Galletas, galletitas, bizcochitos en un Solo Estante	Horneado Tradicional	3	Use utensilios brillantes.
Galletas, galletitas, bizcochitos en Múltiples Estantes	Horneado por Convección Múltiples Estantes	2 y 4 1, 3 y 5	Asegúrese de que haya un flujo de aire adecuado.
<b>Bife y Cerdo</b>			
Hamburguesas	Asar Alto	5	Use una olla para asa; precaliente 5 minutos si usará el Modo para Asar por Convección. Mueva la comida hacia abajo para que quede más preparada y menos soasada. Preste atención a la comida al asarla. Para un mejor rendimiento, centre la comida debajo del elemento calentador para asar.
Bifes y Chuletas	Asar Alto	5	Use una olla para asar; Mueva la comida hacia abajo para que quede más preparada y menos soasada. Preste atención a la comida al asarla. Para un mejor rendimiento, centre la comida debajo del elemento calentador para asar.
Dorados	Dorado por Convección	2 o 3	Use una olla chata tal como una olla para asar. No se requiere precalentarla.
<b>Ave</b>			
Pollo entero	Dorado por Convección	2 o 3	Use una olla chata tal como una olla para asar.
Pechugas, patas, muslos con huesos	Asar Alto	1	Si se empanó o cubrió con salsa, evite los modos Broil Hi (Asar Alto). Ase del lado de la piel hacia abajo primero. Preste atención a la comida al asarla. Para un mejor rendimiento, centre la comida debajo del elemento calentador para asar.
	Asado Bajo Horneado Tradicional Horneado por Convección en 1 Estante	3	
Pechugas de pollo deshuesadas	Asado Bajo Horneado Tradicional Horneado por Convección en 1 Estante	3	Mueva la comida más abajo para que quede más preparada y menos soasada y más arriba para soasar/ dorar al asar. Para un mejor rendimiento, centre la comida debajo del elemento calentador para asar.
Pavo entero	Dorado por Convección	1 o 2	Usa una olla chata tal como una olla para asar.
Pechuga de Pavo	Dorado por Convección	2 o 3	Use una olla chata tal como una olla para asar.
<b>Pescado</b>	Asado Bajo	5 (mitad del grosor o menos) 4 (>1/2 pulgada)	Precaliente 5 minutos al Asar por Convección. Preste atención a la comida al asarla. Para un mejor rendimiento, centre la comida debajo del elemento calentador para asar.
<b>Cazuelas</b>	Horneado por Convección en 1 Estante Horneado Tradicional	3	
<b>Comidas Congeladas a Conveniencia</b>			
Pizza, papas fritas, tator tots, patitas de pollo fritas, aperitivos en un Solo Estante	Horneado por Convección en 1 Estante Horneado Tradicional	3	Use utensilios brillantes.
Pizza, papas fritas, tator tots, patitas de pollo fritas, aperitivos en Múltiples Estantes	Horneado por Convección Múltiples Estantes	2 y 4	Use utensilios brillantes.

\*Al hornear cuatro tortas con capas a la vez, use los estantes 2 y 4. Coloque las ollas como se muestra, de modo que no quede una olla encima de la otra.

Cocine la comida completamente para evitar que se produzcan enfermedades a partir de la comida. Puede encontrar recomendaciones sobre temperatura mínima para cocinar de forma segura en [www.IsItDoneYet.gov](http://www.IsItDoneYet.gov). Asegúrese de usar un termómetro de comidas para medir la temperatura de las mismas.



# Limpieza del Horno

Asegúrese de que la corriente eléctrica esté apagada y que todas las superficies estén frías antes de limpiar cualquier parte del horno.

## Panel de Control

Una buena idea es limpiar el panel de control luego de cada uso. Limpie con un jabón suave y agua o vinagre y agua, enjuague con agua limpia y pule en seco con una tela suave.

No use limpiadores abrasivos, limpiadores líquidos fuertes, almohadillas para fregar de plástico ni limpiadores de horno en el panel de control; dañarán el acabado.

## Exterior del Horno

No use limpiadores de horno, limpiadores abrasivos, limpiadores líquidos fuertes, estropajos de acero, almohadillas para fregar de plástico, ni polvos limpiadores en el interior o el exterior del horno. Limpie el mismo con agua y jabón o una solución de vinagre y agua. Enjuague con agua limpia y seque con una tela seca. Al limpiar superficies, asegúrese de que estén a temperatura ambiente y fuera del contacto con

la luz solar. Si las manchas en el borde de la ventana de la puerta son persistentes, use un limpiador abrasivo suave o una esponja con estropajo para obtener un mejor resultado. El derrame de adobo, jugos de fruta, salsas de tomate y líquidos para humedecer que contengan ácidos pueden ocasionar descoloración y se deberán limpiar de inmediato. Deje que las superficies calientes se enfríen, y luego limpie y enjuague.

## Superficies de Acero Inoxidable (en algunos modelos)

No use virutas de acero; éstas dañarán la superficie. Para limpiar la superficie de acero inoxidable, use agua tibia con jabón o un limpiador o pulidor para acero inoxidable. Siempre limpie la superficie en la dirección del veteado. Siga las instrucciones del limpiador para limpiar la superficie de

acero inoxidable. Para realizar consultas sobre la adquisición de productos, incluyendo limpiadores o pulidores para electrodomésticos de acero inoxidable, lea las secciones de Asistencia y Accesorios, en el comienzo de este manual.

## Interior del Horno

El interior de su nuevo horno puede ser limpiado de forma manual o utilizando los modos Steam Clean (Limpieza con Vapor) o Self Clean (Limpieza Automática).

El derrame de adobo, jugos de fruta, salsas de tomate y líquidos para humedecer que contengan ácidos pueden ocasionar descoloración y se deberán limpiar de inmediato. Espere a que las superficies calientes se enfríen, y luego limpie y enjuague.

### Limpieza Manual

No use limpiadores de horno, limpiadores abrasivos, limpiadores líquidos fuertes, estropajos de acero, almohadillas para fregar, ni polvos limpiadores en el interior del horno. Limpie el mismo con agua y jabón o una solución de vinagre y agua. Enjuague con agua limpia y seque con una tela seca. Al limpiar superficies, asegúrese de que estén a temperatura ambiente y fuera del contacto con la luz solar.

### Modo de Limpieza con Vapor

La limpieza con vapor está pensada para limpiar pequeños derrames usando agua y a una temperatura de limpieza más baja que la función Self-Clean (Limpieza Automática).

Para usar la función Steam Clean (Limpieza con Vapor), limpie las grasas y suciedades del horno. Vierta una taza de agua en la parte inferior del horno. Cierre la puerta. Presione la tecla **Clean (Limpiar) dos veces** y luego presione **Start (Iniciar)**. La puerta del horno se trabará. No podrá abrir la puerta durante los 30 minutos de la limpieza con vapor, ya que esto reducirá su rendimiento. Al finalizar el ciclo de limpieza al vapor, la puerta se destrabará. Limpie cualquier exceso de agua y cualquier suciedad que haya quedado.

### Modo de Limpieza Automática

Lea las Instrucciones de Seguridad del Horno con Limpieza Automática, en el comienzo de este manual antes de usar el modo Self Clean (Limpieza Automática). Este modo usa temperaturas muy altas para limpiar el interior del horno. Cuando use esta función, la puerta del horno se trabará. Antes de utilizar el ciclo de limpieza automática, limpie la grasa y restos de comida que haya en el horno. Retire todos los artículos del horno, excepto los estantes esmaltados (color oscuro). Los estantes brillantes o de plata y cualquier utensilio u otros artículos deberían ser retirados del horno antes de iniciar un ciclo de limpieza automática. Cierre la puerta. Presione la tecla **Clean (Limpiar)** y se exhibirá un tiempo de limpieza automática por omisión. El tiempo de limpieza puede ser modificado en cualquier momento entre las 3:00 y las 5:00 horas, usando las teclas numéricas para ingresar un tiempo diferente y presionando **Start (Iniciar)**. Si desea usar el tiempo por omisión, presione la tecla **Start (Iniciar)** inmediatamente luego de presionar la tecla **Clean (Limpiar)**. El horno se apagará de forma automática cuando el ciclo de limpieza automática sea completado. La puerta permanecerá bloqueada hasta que el horno se haya enfriado. Una vez que el horno se haya enfriado, limpie cualquier ceniza que haya quedado en el horno.

**IMPORTANTE:** Las emanaciones producidas por el ciclo de autolimpieza de cualquier horno afectan la salud de algunas aves de manera notoria. Procure llevar sus aves a otra habitación bien ventilada.

## Estantes Planos

Los estantes planos se podrán dejar en la cavidad durante la limpieza automática (si se trata de estantes esmaltados, no brillantes) o se podrán lavar con agua caliente y jabón.

Es posible que resulte más difícil deslizar los estantes, especialmente luego de la limpieza automática. Coloque aceite vegetal en una tela húmeda o toalla de papel y frote sobre los extremos izquierdo y derecho.

# Mantenimiento

## Reemplazo de la Lámpara del Horno

### ⚠️ ADVERTENCIA

**PELIGRO DE DESCARGA O QUEMADURAS:** Antes de reemplazar la lámpara de luz del horno, desconecte la conexión eléctrica del horno del fusible principal o del panel del disyuntor. Si esto no se cumple, se podrá producir una descarga eléctrica o un incendio.

### ⚠️ PRECAUCIÓN

**RIESGO DE INCENDIO:** La tapa de vidrio y la lámpara de luz se deberán retirar cuando estén frías. Tocar el vidrio caliente sin protección en las manos o con un trapo húmedo puede ocasionar quemaduras.

1. Desconecte la corriente desde el fusible principal o el panel del disyuntor.
2. Retire los estantes del horno.
3. Deslice un destornillador de punta plana entre la caja y la tapa de luz de vidrio.
4. Apoye la tapa de luz de vidrio con dos dedos para evitar que se caiga al fondo del horno. Tenga cuidado de no astillar la cubierta del horno.
5. De forma suave, gire la punta del destornillador para aflojar la tapa de luz de vidrio.
6. Retire la tapa de luz de vidrio.
7. Retire la lámpara sosteniendo firmemente y deslizando la misma hacia afuera, hasta que las dos clavijas hayan dejado el soporte de cerámica.
8. No toque el vidrio de la nueva lámpara con los dedos. Esto hará que la lámpara falle al dar luz. Tome la lámpara de reemplazo con una toalla limpia o un pañuelo de papel con las clavijas hacia abajo. Aliñe las dos clavijas en el soporte de cerámica, presionando suavemente hasta que la lámpara quede asegurada en la ficha de cerámica.
9. Deslice las lentes protectoras del soporte y presione hasta que las pinzas queden enganchadas en la caja.
10. Vuelva a conectar la corriente.

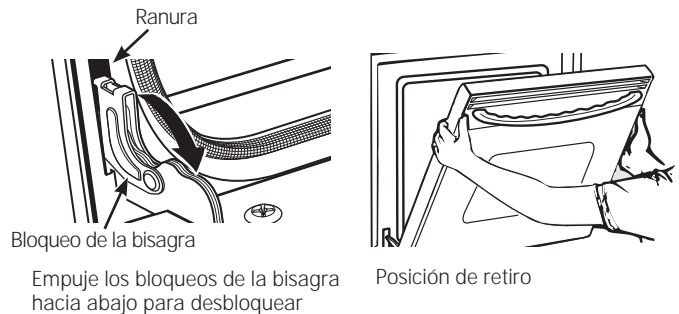
## Puerta del Horno Desmontable

La puerta es muy pesada. Tenga cuidado al retirar y levantar la puerta.

No levante la puerta usando la manija.

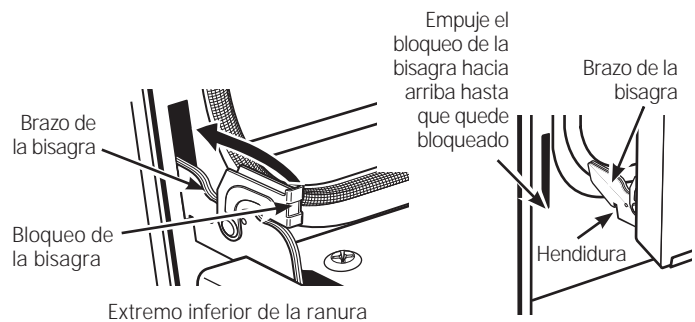
### Para retirar la puerta:

1. Abra la puerta totalmente.
2. Empuje los bloqueos de la bisagra hacia abajo en dirección a la estructura de la puerta, hasta la posición desbloqueada. Es posible que necesite una herramienta tal como un destornillador pequeño de punta plana.
3. Firmemente tome ambos lados de la puerta por la parte superior.
4. Cierre la puerta hasta la posición de retiro de la misma. La puerta debería ser abierta aproximadamente a 3", sin obstrucción sobre la misma.
5. Levante la puerta hacia arriba y afuera, hasta que los brazos de las bisagras queden fuera de las ranuras.



### Para reemplazar la puerta:

1. Firmemente tome ambos lados de la puerta por la parte superior.
2. Comenzando desde el lado izquierdo, con la puerta en el mismo ángulo de la posición de retiro, apoye la hendidura del brazo de la bisagra en el extremo inferior de la ranura de la bisagra. La abertura en el brazo de la bisagra deberá estar totalmente apoyada en la parte inferior de la ranura. Repita el procedimiento del lado derecho.
3. Abra la puerta totalmente. Si la puerta no se abre totalmente, la hendidura no está correctamente apoyada en el extremo inferior de la ranura.
4. Empuje los bloqueos de la bisagra contra la estructura frontal de la cavidad del horno, hasta la posición de bloqueo.
5. Cierre la puerta del horno.



## Consejos para la Solución de Problemas... Antes de solicitar el servicio técnico

¡Ahorre tiempo y dinero! Primero revise los cuadros que aparecen en las siguientes páginas y es posible que no necesite solicitar reparaciones.

Problema	Causa Posible	Qué Hacer
Mi horno nuevo no cocina como el anterior. ¿Hay algún problema con las configuraciones de temperatura?	Su horno nuevo cuenta con un sistema de cocción diferente con relación al anterior y, por lo tanto, es posible que cocine de forma diferente.	En los primeros usos, use los tiempos y temperaturas de su receta con cuidado. Si aún piensa que su horno nuevo cocina con demasiado calor o demasiado frío, podrá ajustar el termostato usted mismo para aplicar su preferencia de cocción específica. <b>NOTA:</b> Este ajuste afecta las temperaturas de Bake (Hornear), Convection Bake 1 Rack (Hornear por Convección en 1 Estante) y Convection Bake Multi (Hornear por Convección Múltiple); no afectará las funciones Convection Roast (Dorar por Convección), Broil (Asar), o Clean (Limpiar).
La comida no se hornea de forma apropiada	Controles del horno configurados de forma incorrecta.	Consulte la sección Modos de Cocción.
	La posición del estante es incorrecta o el estante no está nivelado.	SeConsulte la sección Modos de Cocción y la Guía de Cocción.
	Uso de una cacerola incorrecta o de una cacerola de tamaño incorrecto.	Consulte la sección Utensilios.
	La temperatura del horno debe ser ajustada.	Consulte la sección Funciones Especiales.
	Sustitución de ingredientes	Sustituir ingredientes puede modificar el resultado de la receta.
La comida no asa de forma apropiada	Controles del horno configurados de forma incorrecta.	Asegúrese de seleccionar el modo correcto para asar.
	Se usó una posición incorrecta del estante.	Para acceder a sugerencias de ubicación de estantes, consulte la Guía de Cocción.
	Se cocinó comida en una olla caliente.	Asegúrese de que el utensilio esté frío
	Utensilio de cocina inadecuado para asar.	Use una olla específicamente diseñada para asar
	El papel de aluminio usado para la olla y la rejilla para asar no se ajustó ni cortó de forma apropiada, según lo recomendado.	Si usará papel de aluminio, deberá usarse conforme con las aberturas de la olla.
	En algunas áreas, es posible que el nivel de corriente (voltaje) sea bajo.	Precalente el elemento para asar durante 10 minutos.
La temperatura del horno es demasiado caliente o demasiado fría	La temperatura del horno debe ser ajustada.	Consulte la sección Funciones Especiales.
El horno no funciona o parece no funcionar	Es posible que un fusible de su hogar se haya quemado o que el disyuntor se haya desconectado.	Reemplace el fusible o reinicie el disyuntor.
	Controles del horno configurados de forma incorrecta.	Consulte la sección Uso del Horno.
	El horno se encuentra en Sabbath Mode (Modo Sabático)	Verifique que el horno no esté en Sabbath Mode (Modo Sabático). Consulte la sección Funciones Especiales.
Sonido de “chisporroteo” o “traqueo”	Éste es el sonido de metal calentándose o enfriándose durante las funciones de cocción y limpieza..	Esto es normal.
¿Por qué la estufa hace un sonido de “clic” cuando uso el horno?	Su estufa fue diseñada para mantener un control más ajustado sobre la temperatura del horno. Es posible que escuche que los elementos de calentamiento del horno hagan sonidos de “clic” con mayor frecuencia que con hornos más antiguos para lograr mejores resultados durante los ciclos de horneado, asado, convección y limpieza automática.	Esto es normal.
El reloj y el temporizador no funcionan	Es posible que un fusible de su hogar se haya quemado o que el disyuntor se haya desconectado.	Reemplace el fusible o reinicie el disyuntor.

## Consejos para la Solución de Problemas... Antes de solicitar el servicio técnico

Problema	Causa Posible	Qué Hacer
La luz del horno no funciona	La lámpara está floja o presenta defectos.	Ajuste o reemplace la lámpara.
	La luz de funcionamiento del interruptor está rota.	Llame al servicio técnico.
El modo de limpieza automática del horno no funciona	La temperatura del horno es demasiado caliente como para configurar la limpieza automática.	Espere a que el horno se enfríe y reinicie los controles.
	Los controles del horno están configurados de forma incorrecta.	Consulte la sección de Limpieza del Horno.
Exceso de humo durante un ciclo de limpieza	Suciedad o grasa excesiva.	Presione la tecla <b>Cancel/Off (Cancelar/ Apagar)</b> Abra las ventanas para liberar el humo en la habitación. Espere hasta que la luz de la función <b>LOCKED (Bloqueado)</b> desaparezca. Limpie el exceso de suciedad y reinicie el ciclo de limpieza.
Humo excesivo al asar	La comida está demasiado cerca del quemador.	Baje la posición del estante con comida.
La puerta del horno no se abrirá luego de un ciclo de limpieza	El horno está demasiado caliente.	Espere a que el horno se enfríe por debajo de la temperatura de bloqueo.
El horno no limpia luego de un ciclo de limpieza	Los controles del horno están configurados de forma incorrecta.	Consulte la sección de Limpieza del Horno.
	El horno estaba demasiado sucio.	Limpie derrames excesivos antes de iniciar el ciclo de limpieza. Es posible que, en hornos con mucha suciedad, sea necesario usar la limpieza automática nuevamente o usarla durante un período de tiempo más prolongado.
“LOCK DOOR” (Puerta Trabada) titila en la pantalla	El ciclo de limpieza automática fue seleccionado pero la puerta no está cerrada.	Cierre la puerta del horno.
La luz de LOCKED (Bloqueado) está encendida cuando desea cocinar	La puerta del horno está bloqueada debido a que la temperatura interior del horno no descendió por debajo de la temperatura de bloqueo.	Presione la tecla <b>Cancel/Off (Cancelar/ Apagar)</b> Deje que el horno se enfríe.
“F – y un número o letra” titila en la pantalla	Tiene un código de error de función.	Presione la tecla <b>Cancel/Off (Cancelar/ Apagar)</b> Permita que el horno se enfríe durante una hora. Vuelva a poner el horno en funcionamiento.
	Si el código de función se repite.	Desconecte totalmente la corriente de la cocina durante por lo menos 30 minutos y vuelva a conectar la misma. Si el código de error de función se repite, llame al servicio técnico.
La pantalla queda en blanco	Es posible que un fusible de su hogar se haya quemado o que el disyuntor se haya desconectado.	Reemplace el fusible o reinicie el disyuntor.
	El reloj está apagado.	Consulte la sección Funciones Especiales.
	El horno se encuentra en Sabbath Mode (Modo Sabático)..	Verifique que el horno no esté en Sabbath Mode (Modo Sabático). Consulte la sección Funciones Especiales.
Corte de corriente, el reloj titila	Corte o exceso de corriente	Reinicie el reloj. Si el horno estuvo en uso, deberá reiniciar el mismo presionando la tecla <b>Cancel/ Off (Cancelar/ Apagar)</b> configurando el reloj y reiniciando cualquier función de cocción.
Olor a “quemado” o “aceite” desde la ventilación	Esto es normal en un horno nuevo y desaparecerá con el tiempo.	Para acelerar el proceso, configure un ciclo de limpieza automática por un mínimo de 3 horas. Consulte la sección de Limpieza del Horno.
Olor fuerte	Un olor en la aislación alrededor del interior del horno es normal desde las primeras veces en que el horno es usado.	Esto es temporario y desaparecerá luego de varios usos o de un ciclo de limpieza automática.
Ruido del ventilador	Es posible que un ventilador de enfriamiento se active automáticamente.	Esto es normal. El ventilador de enfriamiento se encenderá para enfriar las partes internas. Es posible que funcione hasta durante una hora y media, una vez que el horno se haya apagado.
La puerta de vidrio del horno parece estar “teñida” o tener un color “arcoíris”. ¿Es esto un defecto?	No. El vidrio del horno interno está cubierto con una barrera de calor que refleja este último nuevamente hacia el horno, a fin de evitar la pérdida de calor y de mantener fría la puerta externa mientras se hornea.	Esto es normal. Bajo ciertas luces y ángulos, es posible que visualice esta tinta o arcoíris.

Consejos para la Solución de Problemas... Antes de solicitar el servicio técnico

Problema	Causa Posible	Qué Hacer
<p>A veces el horno tarda más en precalentarse a la misma temperatura</p>	<p>Utensilio o comida en el horno</p>	<p>El utensilio o la comida en el horno hará que éste tarde más en precalentarse. Retire estos artículos para reducir el tiempo de precalentamiento.</p>
	<p>Número de estantes en el horno</p>	<p>Agregar más estantes al horno hará que éste tarde más en precalentarse. Retire algunos estantes.</p>
	<p>Diferentes modos de cocción</p>	<p>Los diferentes modos de cocción utilizan diferentes métodos de precalentamiento para calentar el horno en un modo de cocción específico. Algunos modos tardarán más que otros (tales como: horneado por convección múltiple).</p>