



701 E Industrial PK Dr  
 Manchester NH 03109  
 877-364-8464  
 www.sunsettrading.com  
 info@sunsettrading.com

**Sunset Trading**<sup>SM</sup>

a div of Sunset Furniture Intl LLC

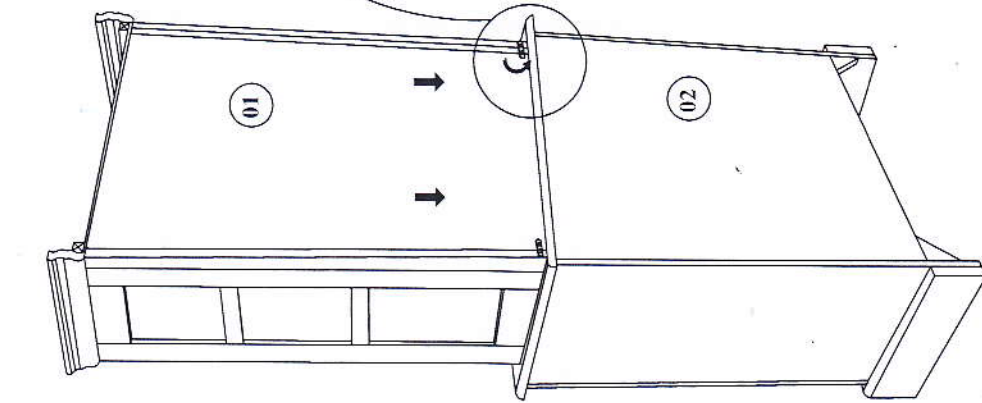
**METAL CONNECTOR FITTING INSTRUCTION**

\*\*Pls Check to make sure you have all parts otherwise contact local retailer or Sunset Trading customer service at 877-364-8464"

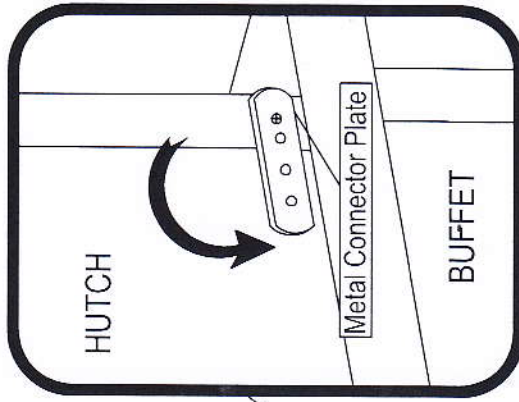
Thank You for purchasing this Quality product. It has been engineered for easy assembly yet constructed for durability. Please take the time to read and follow the instruction while assembling.

**ASSEMBLY INSTRUCTION**  
**HUTCH & BUFFET**

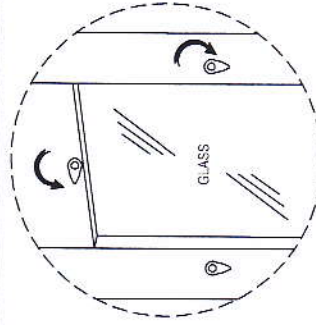
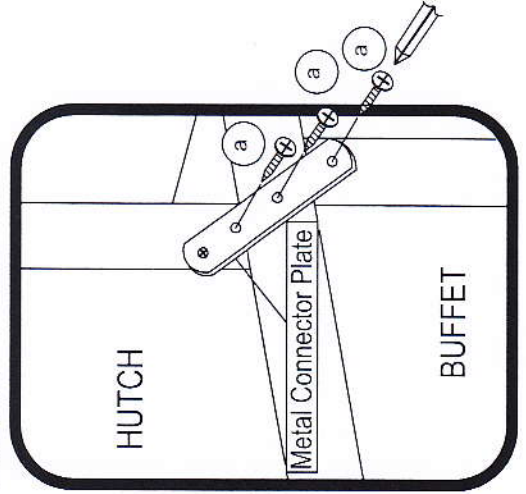
Model : DLU-19-HUT & BUF (HB-007)



**STEP 1**

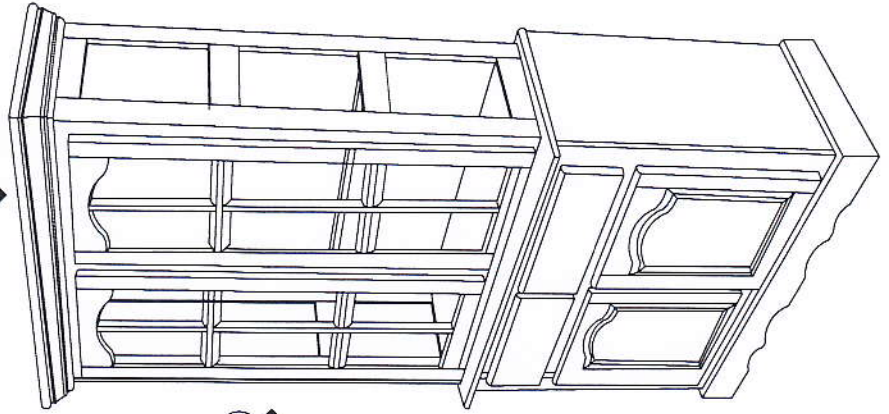


**STEP 2**



**\* GLASSES NEED TO BE INSTALLED.**

**GLASS PACK (SIDE & SHELF)**



**GLASS PACK (DOOR)**

List of Part For 1 Set

01		HUTCH	1
02		BUFFET	1

List of hardware For 1 Set

a		CSKCB SCREW M4 x 20mm	6
b		GLASS PACK (SIDE & SHELF)	1 SET
c		GLASS PACK (DOOR)	1 SET

**Important Notes**

- \* Keep all hardware parts out of reach of children.
- \* Must tighten screws periodically. With use screws will become loose. Check tightness of all screws every 6-8 weeks
- \* Don't attempt to repair or modify parts that are broken or defective. Please contact the store immediately.
- \* Do not tighten all screw / bolt until all completely assembled

