

COASTER®

FINE FURNITURE

204190KE (B1 ~ B4)

EASTERN KING SIZE STORAGE BED

**ASSEMBLY INSTRUCTIONS
COASTER FINE FURNITURE**



www.coastercompany.com

ASSEMBLY TIPS:

- 1 . Remove hardware from box and sort by size.
- 2 . Please check to see that all hardware and parts are present prior to start of assembly.
- 3 . Please follow attached instructions in the same sequence as numbered to assure fast & easy assembly.



Warning !

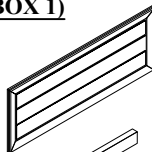
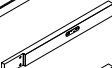
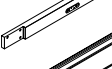
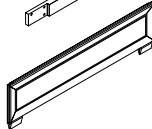
- 1 . Don't attempt to repair or modify parts that are broken or defective. Please contact the store immediately.
- 2 . This product is for home use only and not intended for commercial establishment.



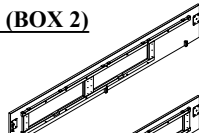
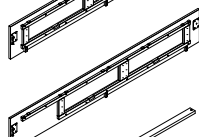


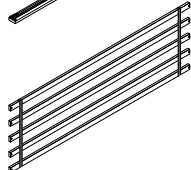
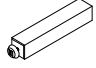
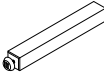
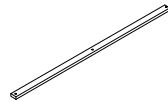
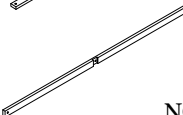
ASSEMBLY TIME	30 MINUTES
---------------	------------

PARTS IDENTIFICATION

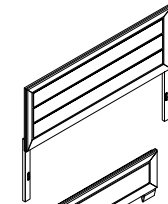
B1 (BOX 1)

A		HEADBOARD PANEL	1PC
B		LEFT HEADBOARD LEG	1PC
C		RIGHT HEADBOARD LEG	1PC
D		FOOTBOARD	1PC

B2 (BOX 2)

E		LEFT BED RAIL	1PC
F		RIGHT BED RAIL	1PC
G		BED SLAT WITH 3 HOLES	3PCS
H		DRAWER SLAT	2PCS
I		ROLL SLAT (5PCS)	2SETS
J		STORAGE FOOTBOARD SUPPORT LEG	2PCS
K		CENTER RAIL SUPPORT WITH LEVELER	3PCS
L		CENTER RAIL	1PC
M		BOTTOM CROSS BAR	3PCS

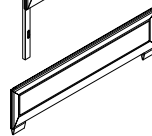
HB



204190KE (B1)
HEADBOARD COMPLETE
* FROM BOX 1

1PC

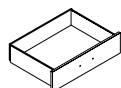
D



204190KE (B1)
FOOTBOARD
* FROM BOX 1

1PC

B3 (BOX 3)





N		DRAWER BOX	2PCS
----------	--	------------	------

B4 (BOX 4)






O		DRAWER BOX	2PCS
----------	--	------------	------

HARDWARE IDENTIFICATION

Z - B1 (BOX 1) - HARDWARE PACK IS LOCATED IN 204190KE (B1)

1		BOLT	6PCS
2		LOCK WASHER	6PCS
3		FLAT WASHER	6PCS
4		ALLEN WRENCH	1PC

Z - B2 (BOX 2) - HARDWARE PACK IS LOCATED IN 204190KE (B2)

5		LONG BOLT	5PCS
6		LONG FLAT HEAD SCREW	43PCS
7		SHORT FLAT HEAD SCREW	4PCS
8		SMALL ALLEN WRENCH	1PC
9		BIG ALLEN WRENCH	1PC

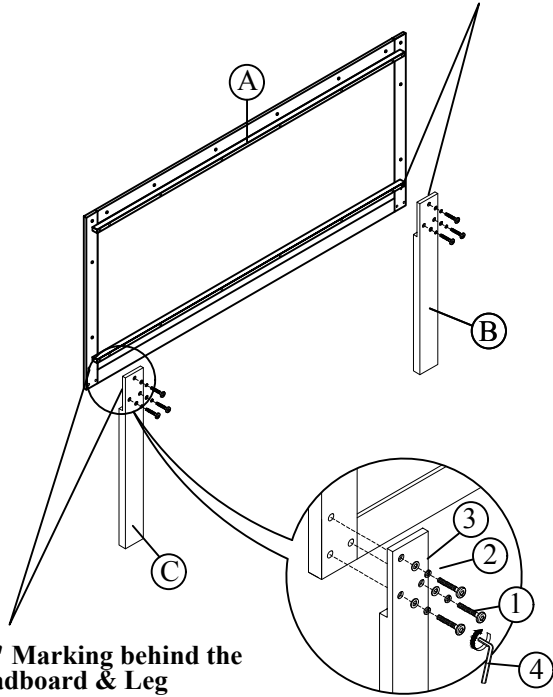
NOTE : PHILLIPS HEAD SCREW DRIVER IS REQUIRED IN THE ASSEMBLY PROCESS; HOWEVER MANUFACTURER DOES NOT PROVIDE THIS ITEM.

204190KE (B1) - BOX 1

STEP 1

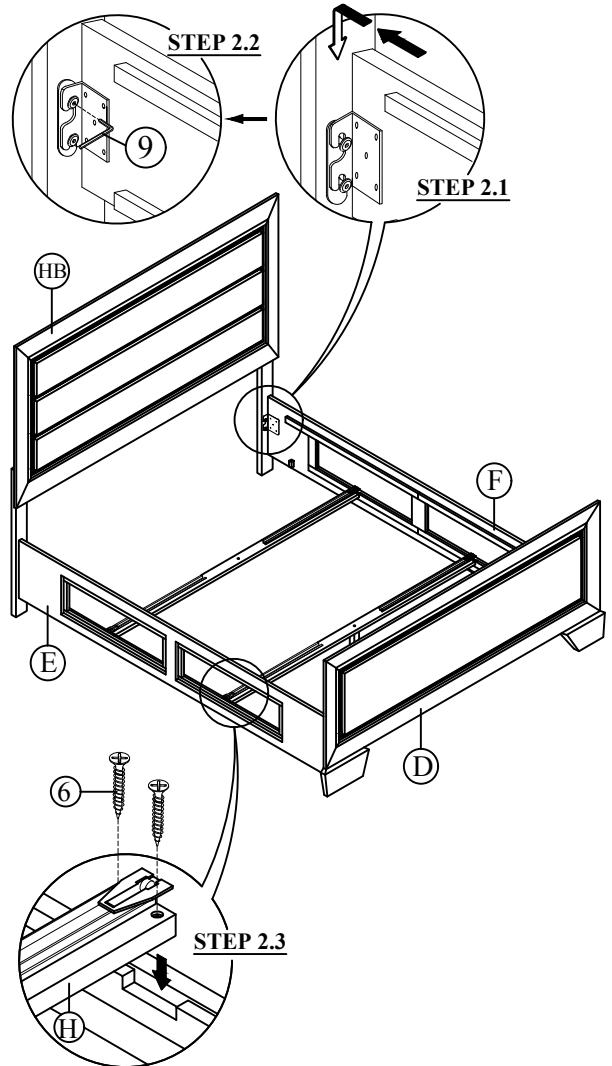
Please take note the marking on the leg and headboard

"L" Marking behind the Headboard & Leg



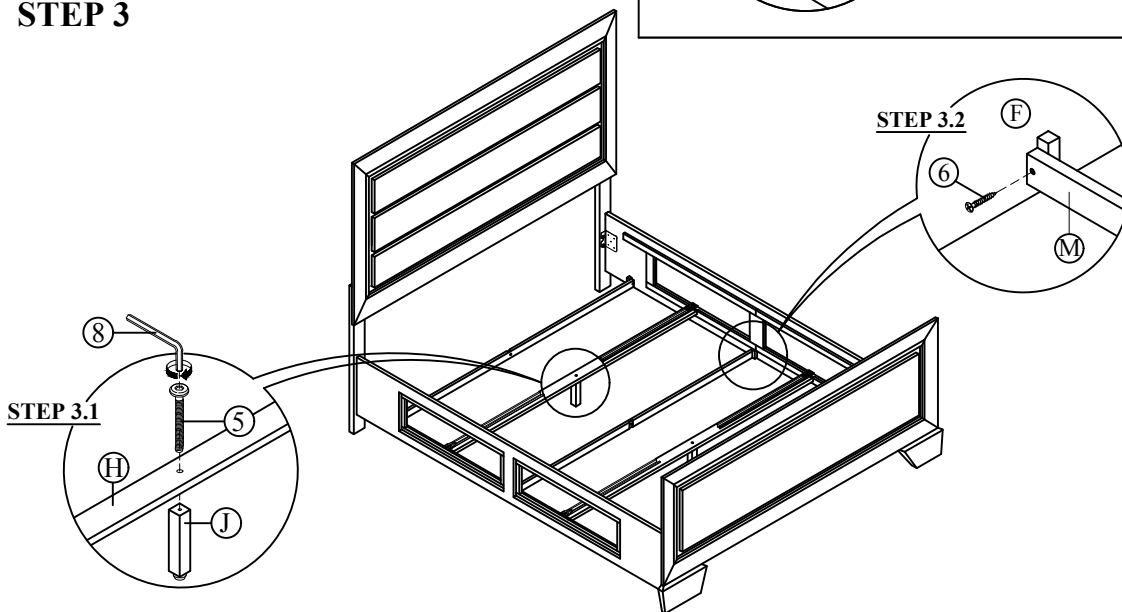
204190KE (B1 & B2) - BOX 1 & BOX 2

STEP 2



204190KE (B1 & B2) - BOX 1 & BOX 2

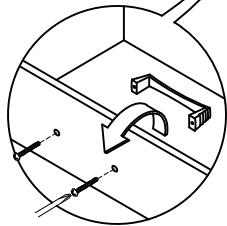
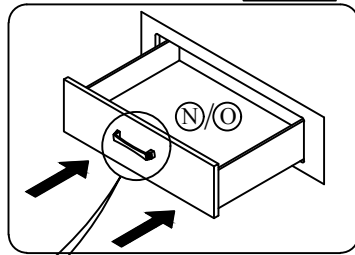
STEP 3



204190KE (B1 ~ B4) - BOX 1 TO BOX 4

STEP 4

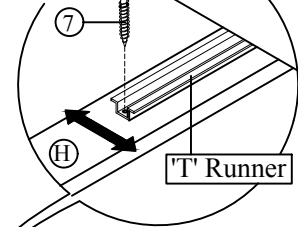
STEP 4.1



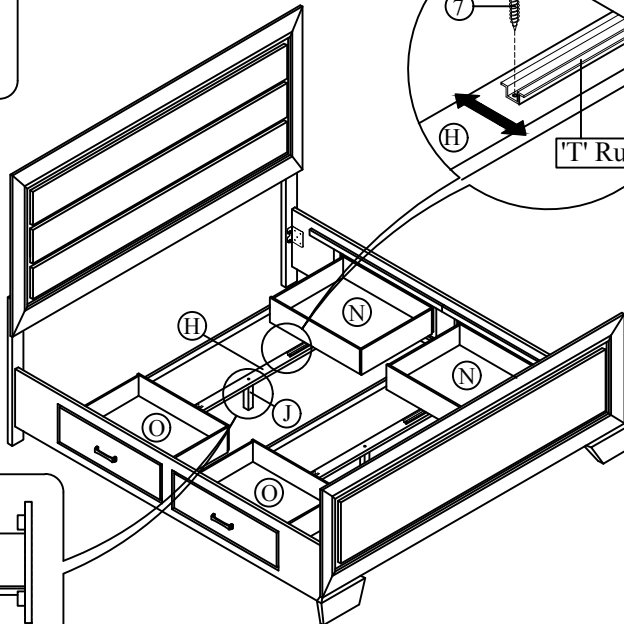
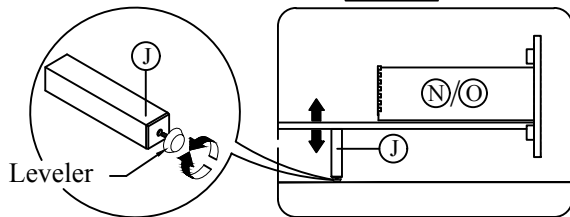
NOTE : (for STEP 4.2)

- i) Fully insert the drawer box (N,O) until touch to the black frame.
- ii) Screw the T-Runner to the drawer slat (H).

STEP 4.2

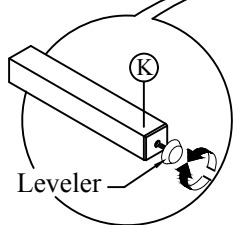
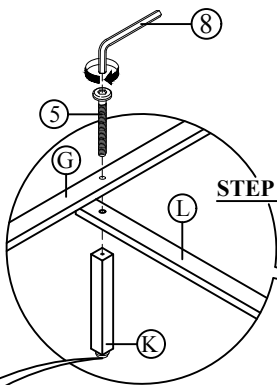


STEP 4.3

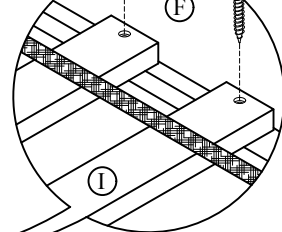


STEP 5

STEP 5.1



STEP 5.3



STEP 5.2

