

# AMANA® Microwave Hood Combination

## PRODUCT MODEL NUMBERS

AMV2307PF

## ELECTRICAL REQUIREMENTS

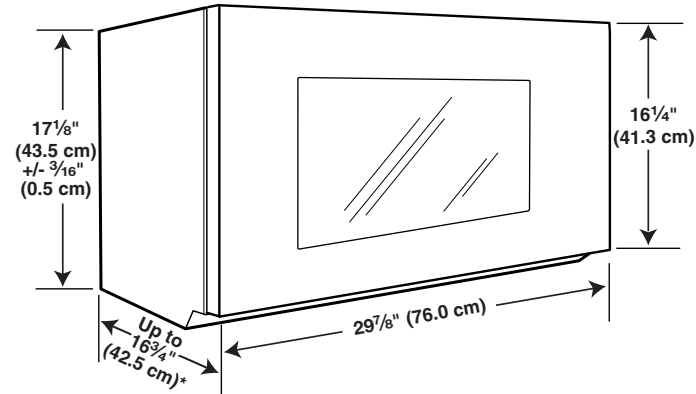
### Required:

- A 120 volt, 60 Hz, AC only, 15- or 20-amp electrical supply with a fuse or circuit breaker.

### Recommended:

- A time-delay fuse or time-delay circuit breaker.
- A separate circuit serving only this microwave oven.

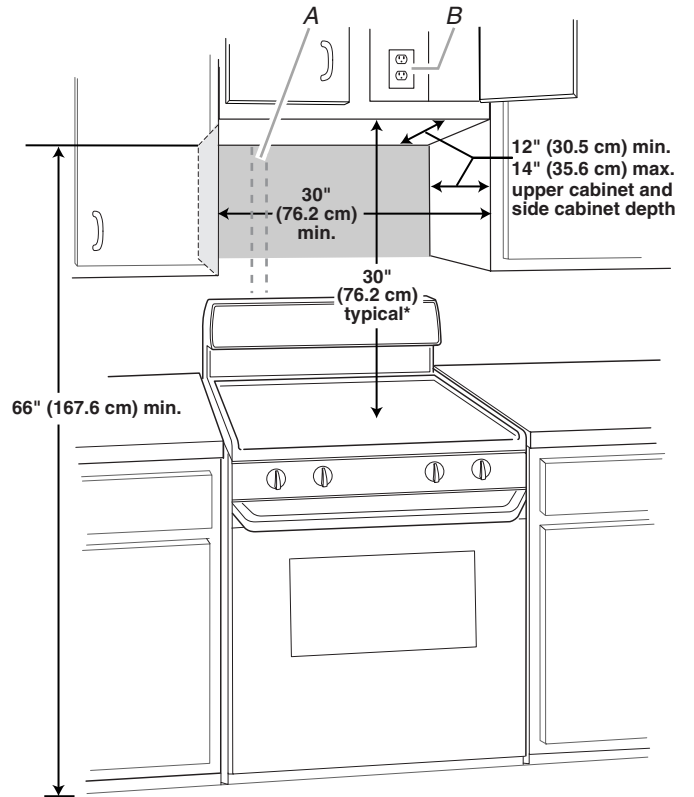
## PRODUCT DIMENSIONS



\* Overall depth of product will vary slightly depending on door design.

## INSTALLATION DIMENSIONS

**NOTE:** The grounded 3 prong outlet must be inside the upper cabinet. See "Electrical Requirements" section.



A. 2" x 4" wall stud

B. Grounded 3 prong outlet

\* 30" (76.2 cm) is typical for 66" (167.6 cm) installation height. Exact dimensions may vary depending on type of range/cooktop below.